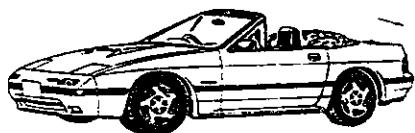
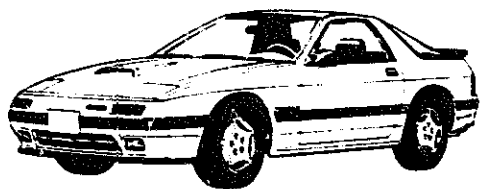


# Parts Catalog

Mazda RX-7  
U.S.A.  
(89 ▶ '90)



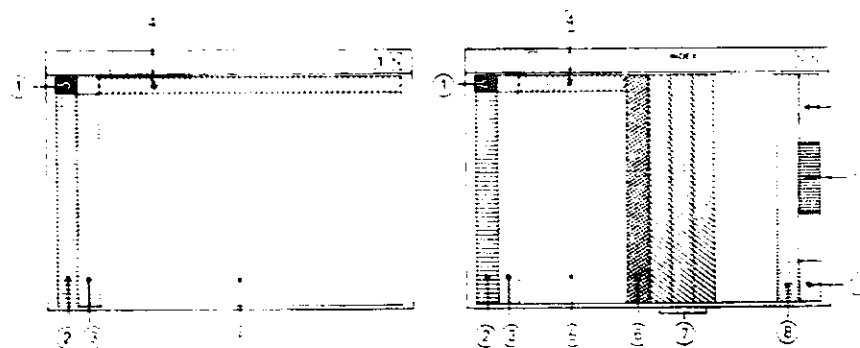
FC3\*\*\*-700001 - 900000

May '92 (FINAL)  
Catalog No. AU-FA02-06

**mazda**  
© 1992 Mazda Motor Corporation

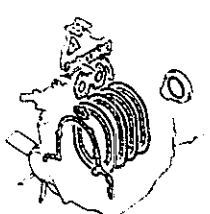
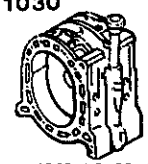

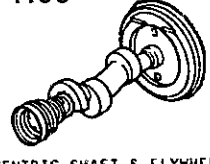

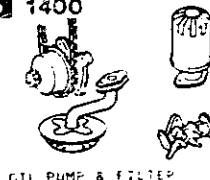
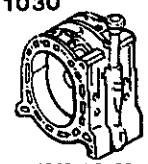

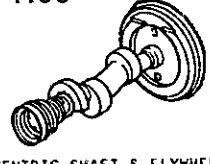

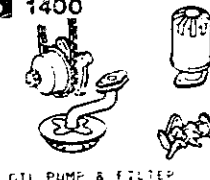
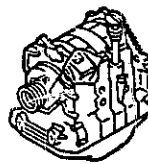
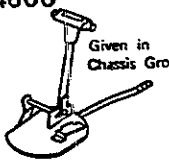
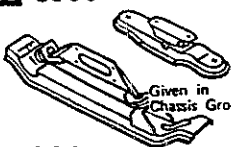
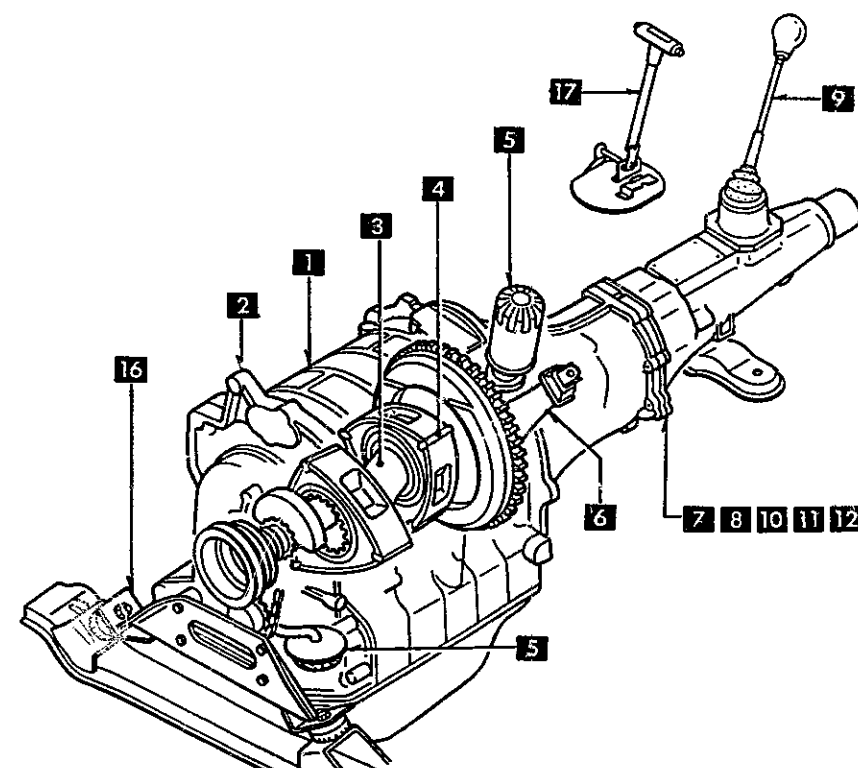
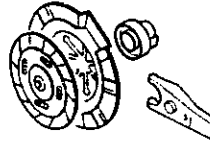
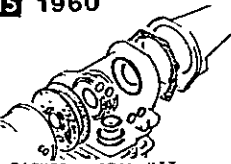
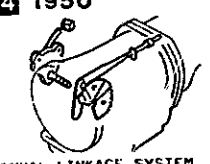
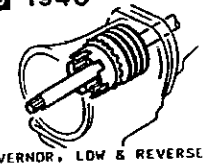
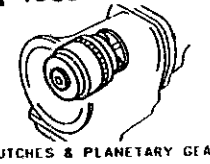
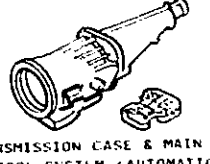

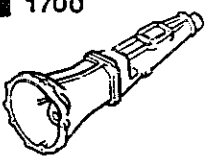
## LAYOUT OF CONTENTS

- The following is a typical example of the layout of contents in Mazda microfiche parts catalog.



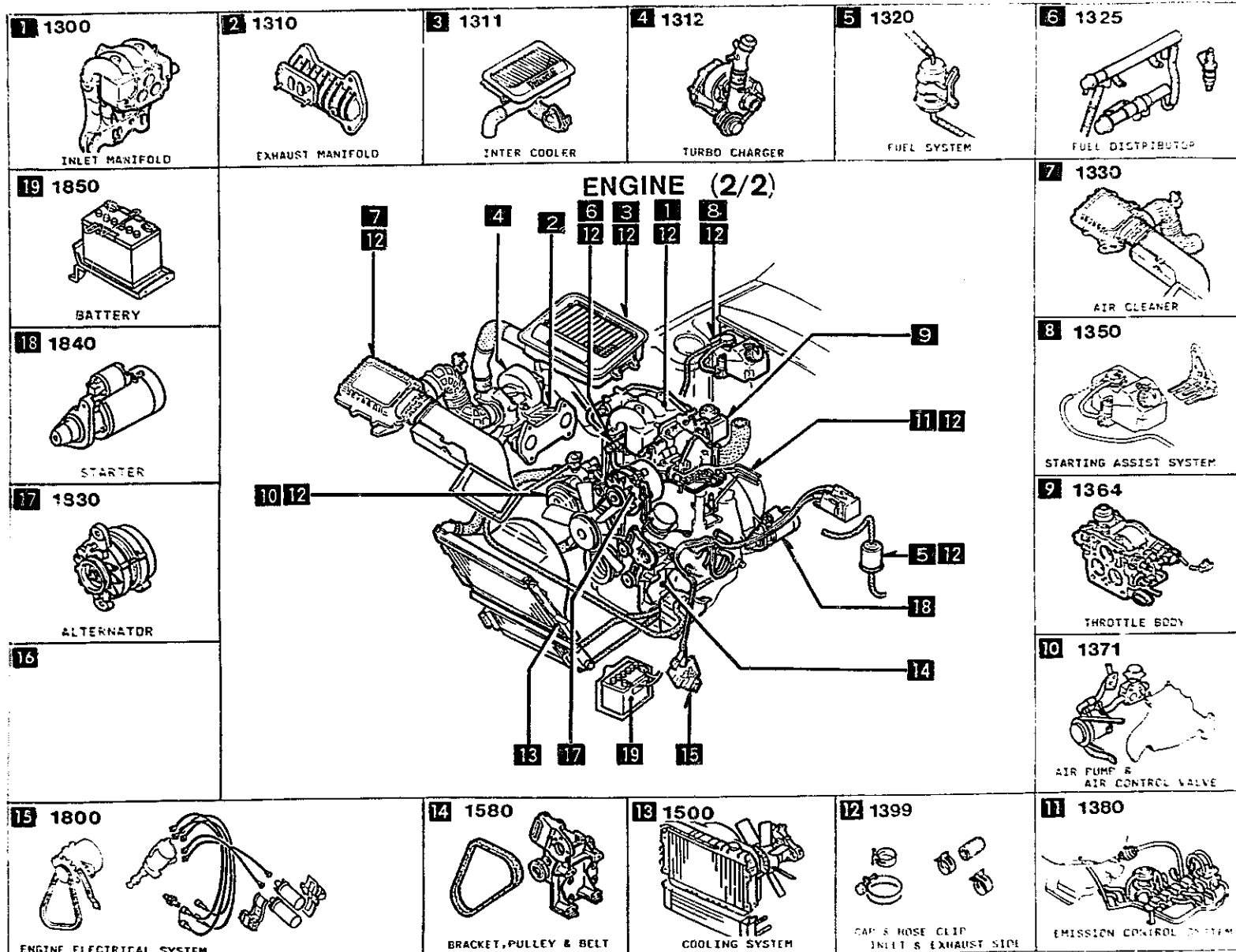
- ① - Layout of contents
- ② - Pictorial Index
- ③ - Master Section No. Index
- ④ - Section No. Index for the Column
- ⑤ - Illustration & Text
- ⑥ - Part No. Index
- ⑦ - Alphabetical Index
- ⑧ - Model Identification
- ⑨ - Vehicle Identification System

# PICTORIAL INDEX

<p><b>1000</b></p>  <p><b>1030</b></p>  <p>ROTOR HOUSINGS</p>  <p>OIL PAN, FRONT &amp; REAR HOUSING</p>  <p>ECCENTRIC SHAFT &amp; FLYWHEEL</p>  <p>ROTORS &amp; RELATED PARTS</p>  <p>OIL PUMP &amp; FILTER</p>	<p><b>1</b> 1030</p>  <p>ROTOR HOUSINGS</p>	<p><b>2</b> 1040</p>  <p>OIL PAN, FRONT &amp; REAR HOUSING</p>	<p><b>3</b> 1100</p>  <p>ECCENTRIC SHAFT &amp; FLYWHEEL</p>	<p><b>4</b> 1110</p>  <p>ROTORS &amp; RELATED PARTS</p>	<p><b>5</b> 1400</p>  <p>OIL PUMP &amp; FILTER</p>
<p><b>SHORT ENGINE &amp; GASKET SETS</b></p>  <p><b>17</b> 4600</p>  <p>Given in Chassis Group</p> <p><b>CHANGE CONTROL SYSTEM</b></p> <p><b>16</b> 3900</p>  <p>Given in Chassis Group</p> <p>ENGINE &amp; TRANSMISSION MOUNTINGS</p>	<p style="text-align: center;"><b>ENGINE (1/2)</b></p> 				<p><b>6</b> 1600</p>  <p>CLUTCH DISC &amp; EDGER (MANUAL)</p>
<p><b>15</b> 1960</p>  <p>GASKET &amp; SEAL KIT (AUTOMATIC)</p> <p><b>14</b> 1950</p>  <p>MANUAL LINKAGE SYSTEM (AUTOMATIC)</p> <p><b>13</b> 1940</p>  <p>GOVERNOR, LOW &amp; REVERSE PISTON (AUTOMATIC)</p> <p><b>12</b> 1930</p>  <p>CLUTCHES &amp; PLANETARY GEARS (AUTOMATIC)</p> <p><b>11</b> 1920 1925</p>  <p>TRANSMISSION CASE &amp; MAIN CONTROL SYSTEM (AUTOMATIC)</p> <p><b>10</b> 1910</p>  <p>TORQUE CONVERTER, OIL PUMP &amp; PIPINGS (AUTOMATIC)</p>					<p><b>7</b> 1700</p>  <p>TRANSMISSION CASE (MANUAL)</p>

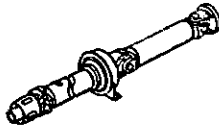
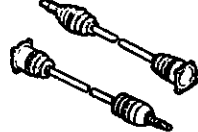
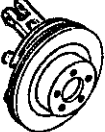

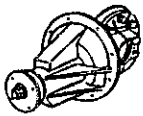
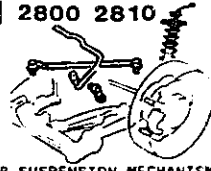
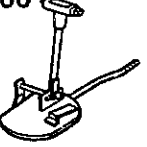
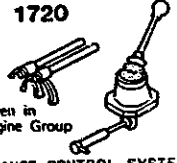
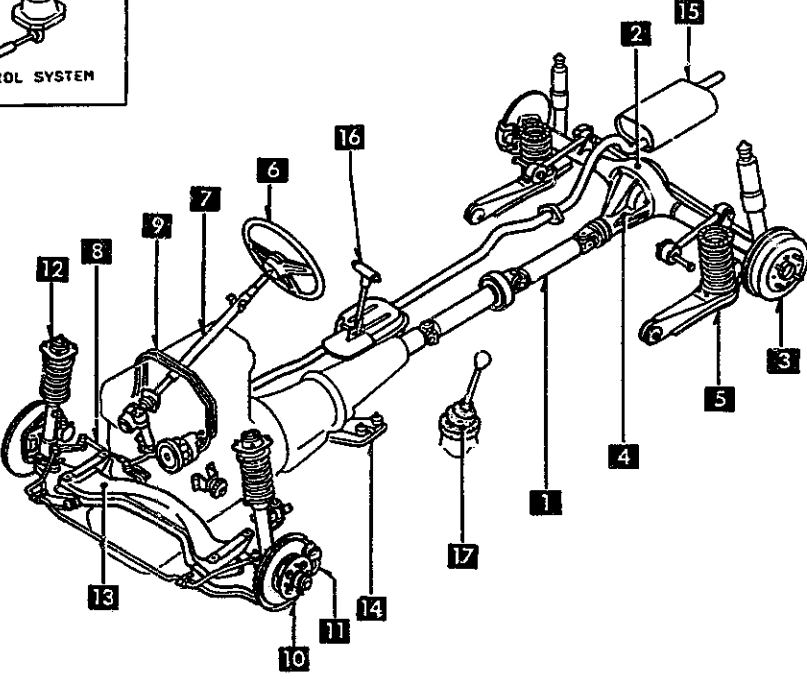
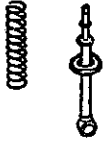
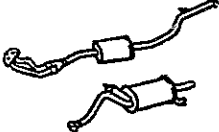

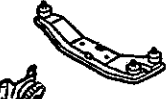

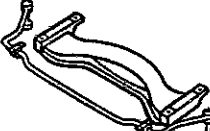




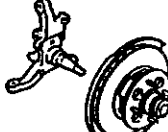
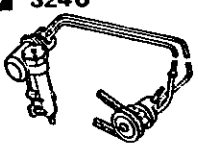

As this illustration is prepared to be applicable to all models, some parts are different in specifications from the parts listed in this parts Catalog

PICTORIAL INDEX



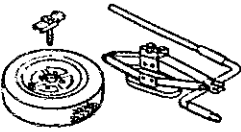

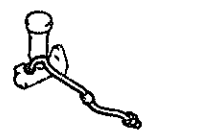

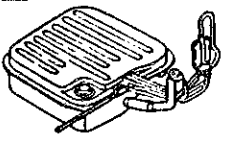
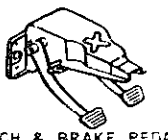
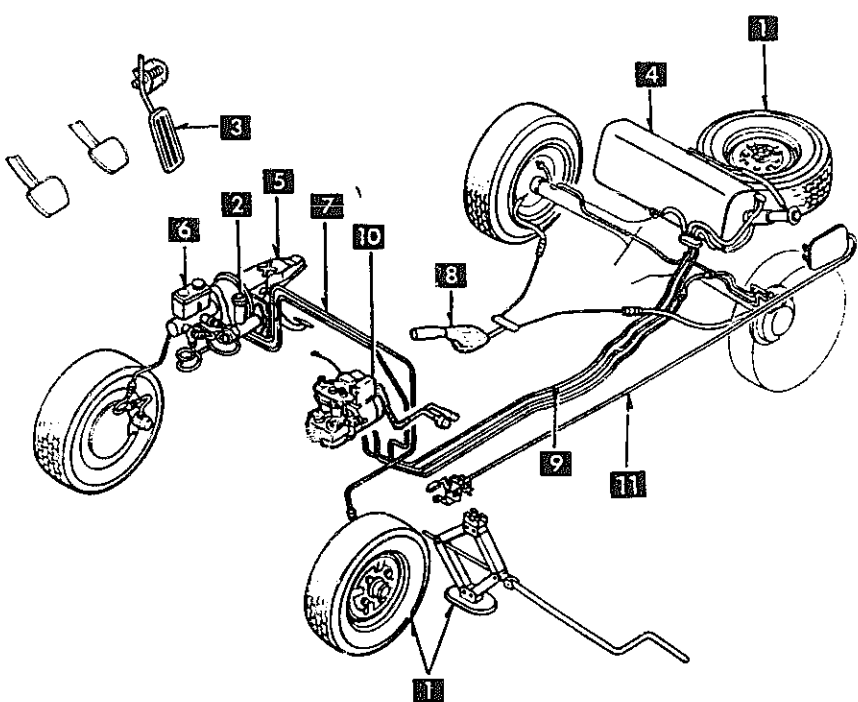
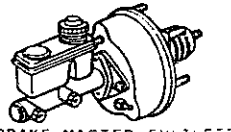
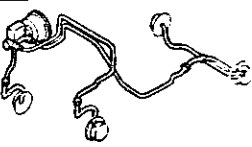

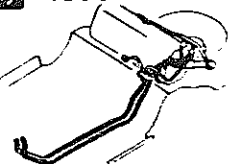

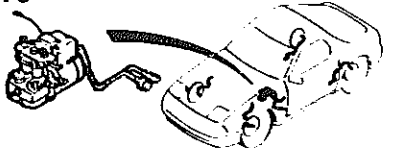
As this illustration is prepared to be applicable to all models, some parts are different in specifications from the parts listed in this parts Catalog

PICTORIAL INDEX

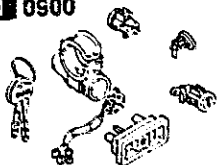
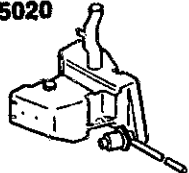

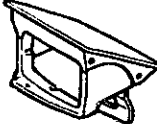
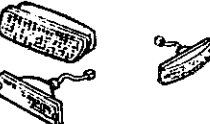
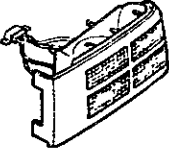

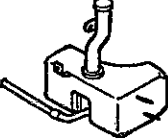
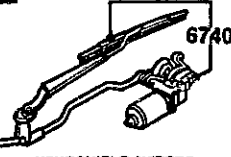
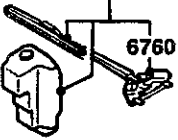

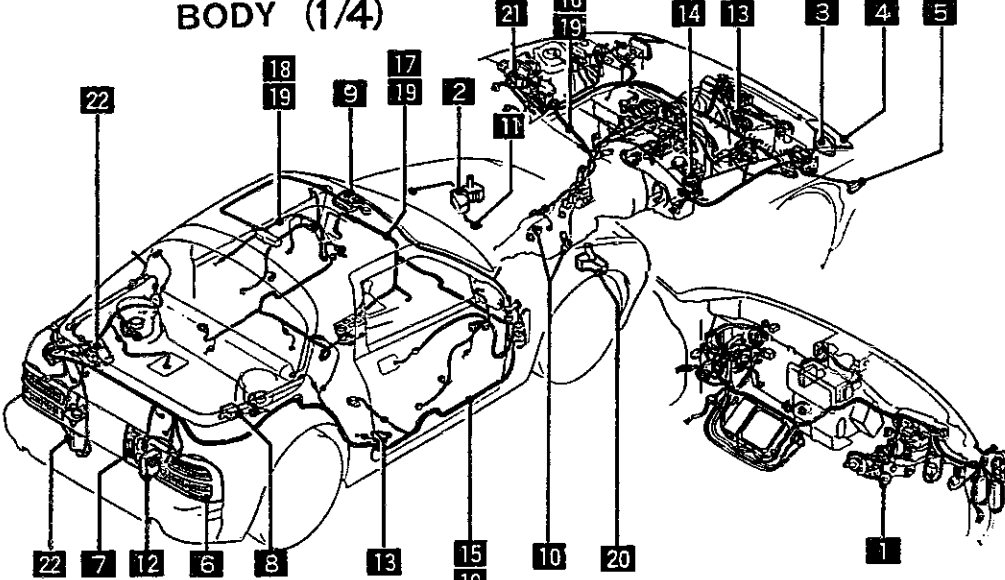

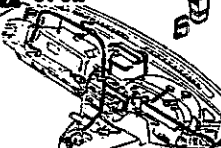




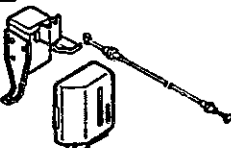
<p><b>1</b> 2505</p>  <p>REAR PROPELLER SHAFT</p>	<p><b>2</b> 2550</p>  <p>REAR DRIVE SHAFT</p>	<p>2600</p>  <p>REAR AXLE</p>	<p><b>3</b> 2610</p>  <p>REAR BRAKE MECHANISMS</p>	<p><b>4</b> 2710</p>  <p>REAR DIFFERENTIALS</p>	<p><b>5</b> 2800 2810</p>  <p>REAR SUSPENSION MECHANISMS REAR STABILIZER</p>			
<p><b>16</b> 4600</p>  <p>CHANGE CONTROL SYSTEM (AUTOMATIC)</p>	<p><b>17</b> 1720</p> <p>Given in Engine Group</p>  <p>CHANGE CONTROL SYSTEM (MANUAL)</p>	<p style="text-align: center;"><b>CHASSIS (1/2)</b></p> 			<p><b>2801</b></p>  <p>REAR SPRING &amp; DAMPER</p>			
<p><b>15</b> 4000</p>  <p>EXHAUST SYSTEM</p>	<p><b>2830</b></p>  <p>REAR LOWER ARMS &amp; SUB FRAME</p>							
<p><b>14</b> 3900</p>  <p>ENGINE &amp; TRANSMISSION MOUNTINGS</p>	<p><b>6</b> 3200</p>  <p>STEERING WHEEL</p>							
<p><b>13</b> 3410</p>  <p>CROSSMEMBER &amp; STABILIZER</p>	<p><b>7</b> 3210</p>  <p>STEERING COLUMN &amp; SHAFTS</p>							
<p><b>12</b> 3401</p>  <p>FRONT SPRING &amp; DAMPER</p>	<p>3400</p>  <p>FRONT SUSPENSION MECHANISMS</p>				<p><b>11</b> 3310</p>  <p>FRONT BRAKE MECHANISMS</p>	<p><b>10</b> 3300</p>  <p>FRONT AXLE</p>	<p><b>9</b> 3240</p>  <p>POWER STEERING SYSTEM</p>	<p><b>8</b> 3220</p>  <p>STEERING GEAR</p>

As this illustration is prepared to be applicable to all models, some parts are different in specifications from the parts listed in this parts Catalog.

PICTORIAL INDEX







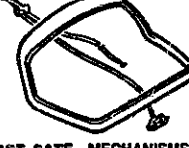

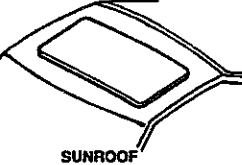


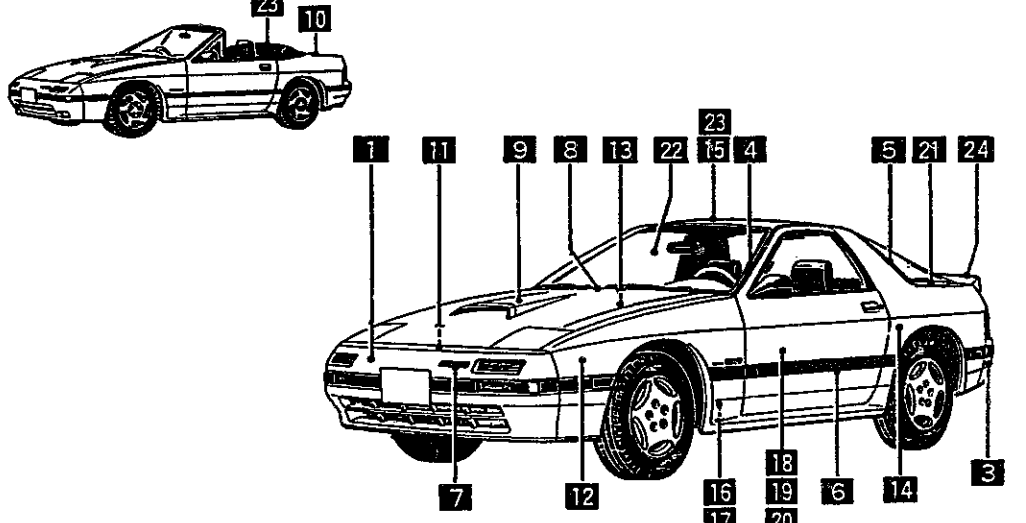


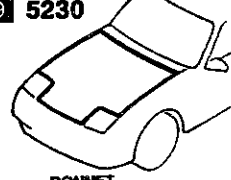
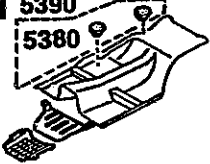

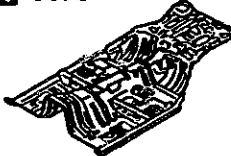

<p><b>1</b> 3700</p>  <p>TIRES &amp; JACK</p>	<p><b>2</b> 4140</p>  <p>CLUTCH RELEASE &amp; MASTER CYLINDERS (MANUAL TRANSMISSION)</p>	<p>4145</p>  <p>CLUTCH PIPINGS (MANUAL TRANSMISSION)</p>	<p><b>3</b> 4160</p>  <p>ACCELERATOR CONTROL SYSTEM</p>	<p><b>4</b> 4200</p>  <p>FUEL TANK</p>	<p><b>5</b> 4300</p>  <p>CLUTCH &amp; BRAKE PEDALS (MANUAL TRANSMISSION)</p>
<p><b>CHASSIS (2/2)</b></p>  <p>As this illustration is prepared to be applicable to all models, some parts are different in specifications from the parts listed in this parts Catalog</p>					
<p><b>6</b> 4340</p>  <p>BRAKE MASTER CYLINDER &amp; POWER BRAKE</p> <p><b>7</b> 4360</p>  <p>BRAKE PIPINGS</p> <p><b>8</b> 4400</p>  <p>PARKING BRAKE SYSTEM</p> <p><b>9</b> 4500</p>  <p>FUEL PIPINGS</p> <p><b>11</b> 4210</p>  <p>FUEL LID OPENER</p> <p><b>10</b> 4370</p>  <p>ANTILOCK BRAKE SYSTEM</p>					

PICTORIAL INDEX

<p><b>1</b> 0900</p>  <p>KEY SETS</p>	<p><b>2</b> 5020</p>  <p>HEAD LAMP CLEANER</p>	<p><b>3</b> 5100</p>  <p>HEAD LAMPS</p>	<p><b>4</b> 5103</p>  <p>HEAD LAMP RETRACTORS</p>	<p><b>5</b> 5105</p>  <p>FRONT COMBINATION LAMPS</p>	<p><b>6</b> 5110</p>  <p>REAR COMBINATION LAMPS</p>
<p><b>19</b> 6704</p>  <p>WIRING HARNESS CLAMPS</p>	<p><b>20</b> 6720</p>  <p>WINDSHIELD WASHER</p>	<p><b>21</b> 6730</p>  <p>WINDSHIELD WIPERS</p>	<p><b>22</b> 6750</p>  <p>WINDOW WIPER &amp; WASHER (REAR)</p>		
<p><b>18</b> 6703</p>  <p>WIRING HARNESSSES (DOOR, FLOOR/CEILING)</p>	<p><b>BODY (1/4)</b></p> 				<p><b>8</b> 5125</p>  <p>INTERIOR LAMPS</p>
<p><b>17</b> 6702</p>  <p>WIRING HARNESSSES (DASHBOARD)</p>					<p><b>9</b> 5130</p>  <p>OVERHEAD CONSOLE</p>
<p><b>16</b> 6701</p>  <p>WIRING HARNESSSES (ENGINE &amp; TRANSMISSION)</p>					<p><b>10</b> 6600</p>  <p>SWITCHES &amp; RELAYS (ENGINE)</p>
<p><b>15</b> 6700</p>  <p>WIRING HARNESSSES (FRONT &amp; REAR)</p>					<p><b>14</b> 6640</p>  <p>AUTO CRUISE CONTROL SYSTEM</p>

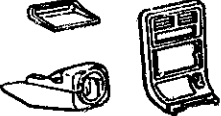
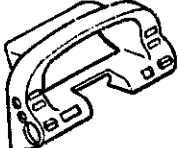
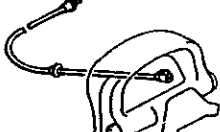
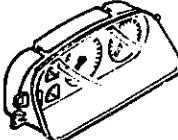
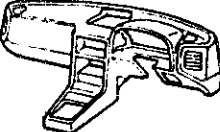
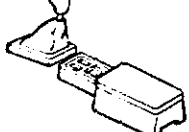
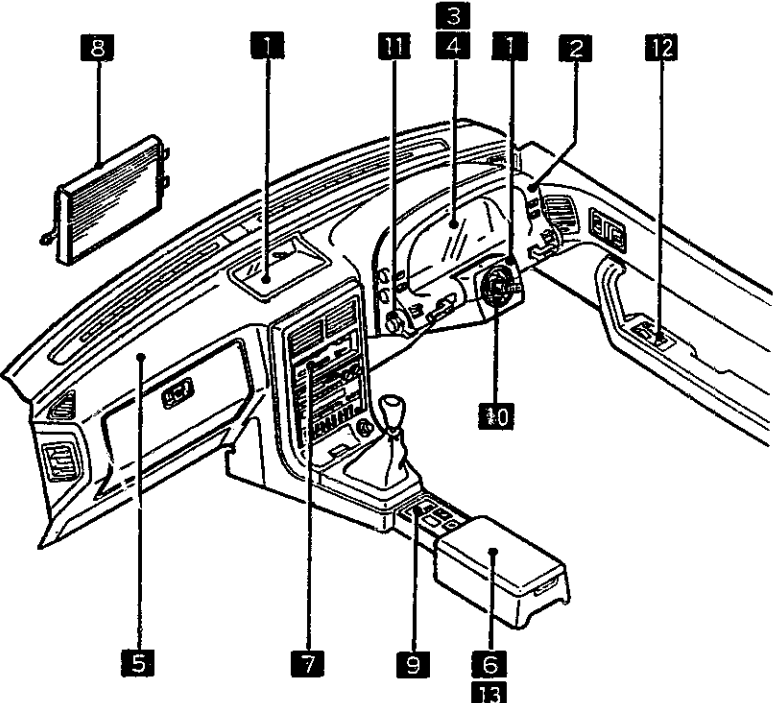
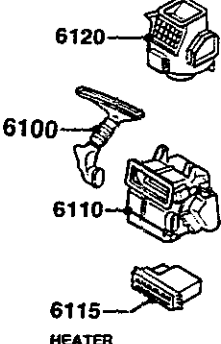
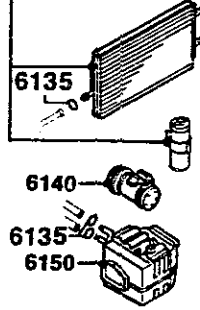
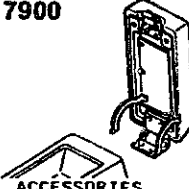
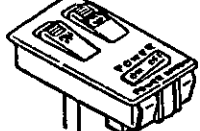
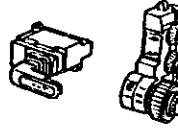
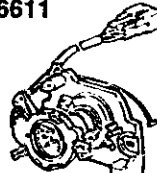
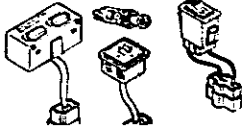
As this illustration is prepared to be applicable to all models, some parts are different in specifications from the parts listed in the parts Catalog.

PICTORIAL INDEX

<p><b>1</b> 5000</p>  <p>FRONT BUMPER</p>	<p><b>2</b></p>	<p><b>3</b> 5010</p>  <p>REAR BUMPER</p>	<p><b>4</b> 5030</p>  <p>WINDOW MOULDINGS</p>	<p><b>5</b> 5040</p>  <p>BODY MOULDINGS</p>	<p><b>6</b> 5060</p>  <p>SIDE PROTECTORS</p>
<p><b>20</b> 5840</p>  <p>FRONT DOOR TRIMS &amp; RELATED PARTS</p>	<p><b>21</b> 6230</p>  <p>LIFT GATE MECHANISMS</p>	<p><b>22</b> 6300</p>  <p>WINDOW GLASSES</p>	<p><b>23</b> 6330</p>  <p>SUNROOF</p>	<p><b>24</b> 7800</p>  <p>SPOILERS &amp; RELATED PARTS</p>	<p><b>7</b> 5170</p> <p><b>RX-7</b> <b>MAZDA</b></p> <p>ORNAMENTS</p>
<p><b>19</b> 5830</p>  <p>FRONT DOOR MECHANISMS</p>	<p style="text-align: center;"><b>BODY (2/4)</b></p> 				<p><b>8</b> 5180</p>  <p>COWL &amp; EXTRACTOR GRILLES</p>
<p><b>18</b> 5800</p>  <p>FRONT DOORS</p>					<p><b>9</b> 5230</p>  <p>BONNET</p>
<p><b>17</b> 5390 5380</p>  <p>FLOOR ATTACHMENTS</p>					<p><b>10</b> 5260</p>  <p>TRUNK LID</p>
<p><b>16</b> 5370</p>  <p>BODY PANELS (FLOOR)</p>					<p><b>15</b> 5360</p>  <p>BODY PANELS (ROOF)</p>

As this illustration is prepared to be applicable to all models, some parts are different in specifications from the parts listed in this parts Catalog.

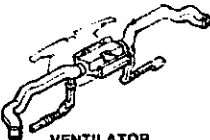

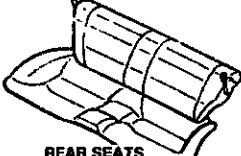
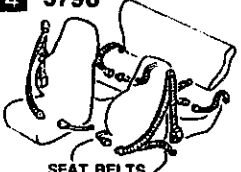
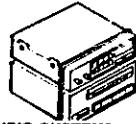

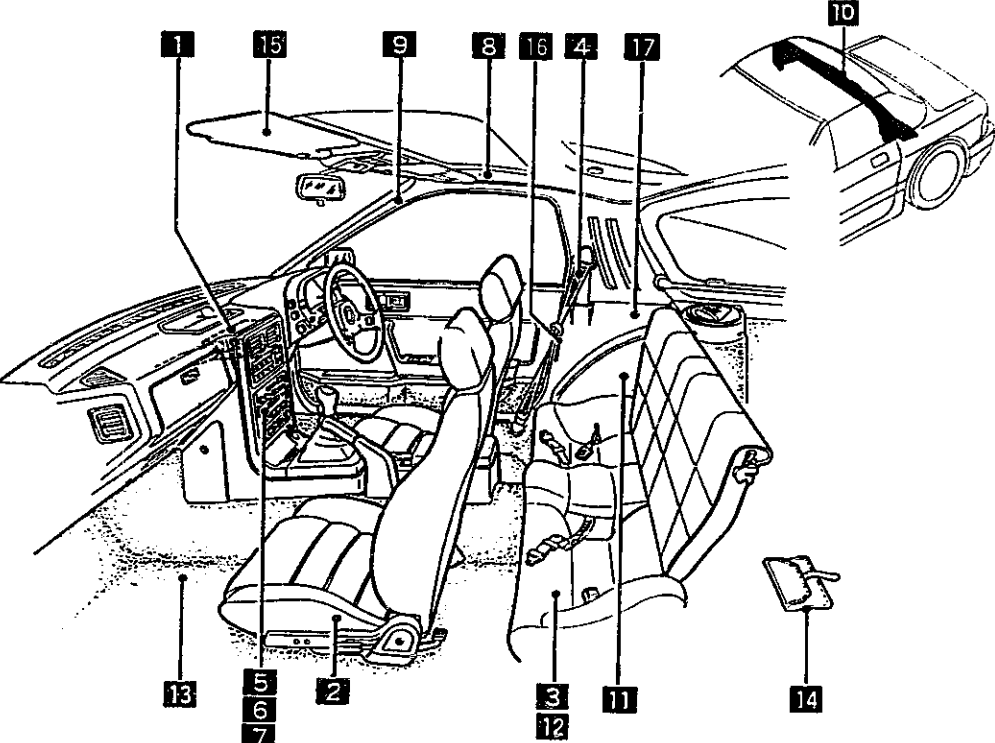
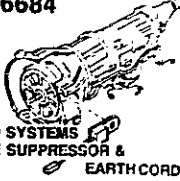

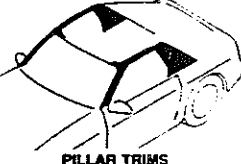


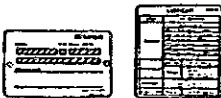


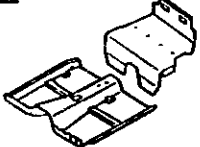
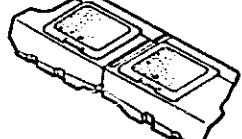

## PICTORIAL INDEX

<p><b>1 5500</b></p>  <p><b>DASHBOARD EQUIPMENTS</b></p>	<p><b>2 5520</b></p>  <p><b>METER HOOD</b></p>	<p><b>3 5530</b></p>  <p><b>SPEEDOMETER CABLE</b></p>	<p><b>4 5540</b></p>  <p><b>METER COMPONENTS</b></p>	<p><b>5 5560</b></p>  <p><b>DASHBOARD &amp; RELATED PARTS</b></p>	<p><b>6 5570</b></p>  <p><b>CONSOLE</b></p>
<p><b>BODY (3/4)</b></p> 					
<p><b>7</b></p>  <p><b>6120</b></p> <p><b>6100</b></p> <p><b>6110</b></p> <p><b>6115 HEATER</b></p> <p><b>8 6130</b></p>  <p><b>6135</b></p> <p><b>6140</b></p> <p><b>6135</b></p> <p><b>6150</b></p> <p><b>AIR CONDITIONER</b></p>					
<p><b>13 7900</b></p>  <p><b>ACCESSORIES</b></p>		<p><b>12 6615</b></p>  <p><b>POWER WINDOW SWITCHES</b></p>		<p><b>11 5612</b></p>  <p><b>CLUSTER SWITCH</b></p>	
<p><b>10 6611</b></p>  <p><b>COMBINATION SWITCH</b></p>				<p><b>9 6610</b></p>  <p><b>DASHBOARD SWITCHES</b></p>	

As this illustration is prepared to be applicable to all models, some parts are different in specifications from the parts listed in this parts Catalog.



PICTORIAL INDEX

<p><b>1</b> 5580</p>  <p>VENTILATOR</p>	<p><b>2</b> 5700</p>  <p>FRONT SEATS</p>	<p><b>3</b> 5750</p>  <p>REAR SEATS</p>	<p><b>4</b> 5790</p>  <p>SEAT BELTS</p>	<p><b>5</b> 6680</p>  <p>AUDIO SYSTEMS (RADIO &amp; TAPE DECK)</p>	<p><b>6</b> 6682</p>  <p>AUDIO SYSTEMS (ANTENNA &amp; SPEAKER)</p>		
<p><b>BODY (4/4)</b></p> 						<p><b>7</b> 6684</p>  <p>AUDIO SYSTEMS (NOISE SUPPRESSOR &amp; EARTH CORD)</p>	
						<p><b>8</b> 6800</p>  <p>CEILING TRIMS</p>	
						<p><b>9</b> 6820</p>  <p>PILLAR TRIMS</p>	
<p><b>17</b> 7250</p>  <p>QUARTER WINDOW &amp; TRIMS</p>							<p><b>10</b> 6810</p>  <p>ROLLERBAR</p>
<p><b>15</b> 6930</p>  <p>CAUTION PLATES &amp; LABELS</p>	<p><b>15</b> 6900</p>  <p>VISORS, ASSIST HANDLES &amp; MIRRORS</p>	<p><b>14</b> 6870</p>  <p>SERVICE TOOLS</p>	<p><b>13</b> 6860</p>  <p>FLOOR MATS &amp; PADS</p>	<p><b>12</b> 6845</p>  <p>STORAGE BOX</p>	<p><b>11</b> 6840</p>  <p>TRIMS &amp; SCUFF PLATES</p>		

As this illustration is prepared to be applicable to all models, some parts are different in specifications from the parts listed in this parts Catalog.

## SECTION NAME INDEX (ENGINE)

LD.NO	SEC.NO	SECTION NAME	LD.NO	SEC.NO	SECTION NAME	LD.NO	SEC.NO	SECTION NAME
1-C03	1000	SHORT ENGINE & GASKET SETS (W/O TURBO)	1-G11	1840	STARTER			
1-D03	1000 A	SHORT ENGINE & GASKET SETS (TURBO)	1-J11	1850	BATTERY			
1-E03	1030	ROTOR HOUSINGS (W/O TURBO)	1-K11	1910	TORQUE CONVERTER, OIL PUMP & PIPINGS (AUTOMATIC)			
1-G03	1030 A	ROTOR HOUSINGS (TURBO)	1-N11	1920	TRANSMISSION CASE & MAIN CONTROL SYSTEM (AUTOMATIC)			
1-J03	1040	OIL PAN, FRONT & REAR HOUSING (W/O TURBO)	1-I12	1925	CONTROL VALVE (AUTOMATIC)			
1-M03	1040 A	OIL PAN, FRONT & REAR HOUSING (TURBO)	1-D13	1930	CLUTCHES & PLANETARY GEARS (AUTOMATIC)			
1-D04	1100	ECCENTRIC SHAFT & FLYWHEEL	1-L13	1940	GOVERNOR, LOW & REVERSE PISTON (AUTOMATIC)			
1-G04	1110	ROTOR & RELATED PARTS	1-C14	1950	MANUAL LINKAGE SYSTEM (AUTOMATIC)			
1-I04	1300	INLET MANIFOLD	1-E14	1960	GASKET & SEAL KIT (AUTOMATIC)			
1-M04	1310	EXHAUST MANIFOLD						
1-N04	1311	INTER COOLER (TURBO)						
1-C05	1312	TURBO CHARGER (TURBO)						
1-F05	1320	FUEL SYSTEM						
1-H05	1325	FUEL DISTRIBUTOR						
1-I05	1330	AIR CLEANER						
1-M05	1350	STARTING ASSIST SYSTEM						
1-N05	1364	THROTTLE BODY						
1-F06	1371	AIR PUMP & AIR CONTROL VALVE						
1-I06	1380	EMISSION CONTROL SYSTEM						
1-D07	1399	CAP & HOSE CLIP (INLET & EXHAUST SIDE)						
1-F07	1400	OIL PUMP & FILTER (W/O TURBO)						
1-I07	1400 A	OIL PUMP & FILTER (TURBO)						
1-M07	1500	COOLING SYSTEM						
1-F08	1580	BRACKET, PULLEY & BELT						
1-C09	1600	CLUTCH DISC & COVER (MANUAL)						
1-F09	1700	TRANSMISSION CASE (MANUAL)						
1-J09	1710	TRANSMISSION GEARS (MANUAL)						
1-H10	1720	CHANGE CONTROL SYSTEM (MANUAL)						
1-M10	1800	ENGINE ELECTRICAL SYSTEM						
1-E11	1830	ALTERNATOR						

CATLOG-NO= AUFA02-06

DATE. 1992-05

1-B 2

## SECTION NAME INDEX (CHASSIS)

LO.NO	SEC.NO	SECTION NAME	LO.NO	SEC.NO	SECTION NAME	LO.NO	SEC.NO	SECTION NAME
2-C03	2505	REAR PROPELLER SHAFT	2-M08	4140	CLUTCH RELEASE & MASTER CYLINDERS (MANUAL TRANSMISSION)			
2-D03	2550	REAR DRIVE SHAFT	2-C09	4145	CLUTCH PIPINGS (MANUAL TRANSMISSION)			
2-E03	2600	REAR AXLE	2-D09	4160	ACCELERATOR CONTROL SYSTEM			
2-G03	2610	REAR BRAKE MECHANISMS	2-E09	4200	FUEL TANK			
2-K03	2710	REAR DIFFERENTIALS (NORMAL DIFF.)	2-H09	4300	CLUTCH & BRAKE PEDALS (MANUAL TRANSMISSION)			
2-C04	2710 A	REAR DIFFERENTIALS (LIMITED SLIP DIFF.)	2-K09	4300A	BRAKE PEDALS (AUTOMATIC TRANSMISSION)			
2-H04	2800	REAR SUSPENSION MECHANISMS	2-M09	4340	BRAKE MASTER CYLINDER & POWER BRAKE (W/O TURBO)			
2-J04	2801	REAR SPRING & DAMPER	2-C10	4340 A	BRAKE MASTER CYLINDER & POWER BRAKE (TURBO)			
2-K04	2810	REAR STABILIZER	2-E10	4360	BRAKE PIPINGS (W/O TURBO)			
2-L04	2830	REAR LOWER ARMS & SUB FRAME	2-G10	4360 A	BRAKE PIPINGS (TURBO)			
2-N04	3200	STEERING WHEEL (W/O AIR BAG)	2-J10	4370	ANTILOCK BRAKE SYSTEM (TURBO)			
2-E05	3200 A	STEERING WHEEL (W/ AIR BAG)	2-N10	4400	PARKING BRAKE SYSTEM			
2-G05	3210	STEERING COLUMN & SHAFTS	2-D11	4500	FUEL PIPINGS			
2-I05	3220 A	STEERING GEAR (W/ POWER STEERING:ENGINE REVOLUTION PER MINUTE SENSOR) (GTU,'90-GX L,'90-CONV-W/O AIR BAG)	2-H11	4600	CHANGE CONTROL SYSTEM (AT)			
2-L05	3220 B	STEERING GEAR (W/ POWER STEERING:VELOCITY SENSOR) (GTUS,'90-G XL,TURBO,'89-CONV,'90-CONV-W/AIR BAG)						
2-C06	3240	POWER STEERING SYSTEM						
2-F06	3300	FRONT AXLE						
2-H06	3310	FRONT BRAKE MECHANISMS						
2-K06	3400	FRONT SUSPENSION MECHANISMS						
2-M06	3401	FRONT SPRING & DAMPER						
2-N06	3410	CROSSMEMBER & STABILIZER						
2-C07	3700	TIRES & JACK						
2-C08	3900	ENGINE & TRANSMISSION MOUNTINGS (MT)						
2-D08	3900A	ENGINE & TRANSMISSION MOUNTINGS (AT)						
2-E08	4000	EXHAUST SYSTEM (W/O TURBO)						
2-I08	4000 A	EXHAUST SYSTEM (TURBO)						

CATLOG-NO= AUFA02-06

DATE. 1992-05

## SECTION NAME INDEX (BODY)1/2

LD.NO	SEC.NO	SECTION NAME	LD.NO	SEC.NO	SECTION NAME	LD.NO	SEC.NO	SECTION NAME
3-C03	0900	KEY SETS	3-J09	5390	FLOOR ATTACHMENTS			
3-F03	5000	FRONT BUMPER	3-C10	5500	DASHBOARD EQUIPMENTS			
3-H03	5010	REAR BUMPER	3-F10	5520	METER HOOD			
3-J03	5020	HEAD LAMP CLEANER	3-G10	5530	SPEEDMETER CABLE			
3-L03	5030	WINDOW MOULDINGS	3-H10	5540	METER COMPONENTS			
3-M03	5040	BODY MOULDINGS (COUPE)	3-J10	5560	DASHBOARD & RELATED PARTS			
3-E04	5060	SIDE PROTECTORS	3-E11	5570	CONSOLE			
3-I04	5100	HEAD LAMPS	3-H11	5580	VENTILATOR			
3-J04	5103	HEAD LAMP RETRACTORS	3-J11	5700	FRONT SEATS (COUPE)			
3-N04	5105	FRONT COMBINATION LAMPS	3-E13	5700A	FRONT SEATS (CONVERTIBLE)			
3-G05	5110	REAR COMBINATION LAMPS	3-K13	5750	REAR SEATS (COUPE)			
3-K05	5120	LICENSE LAMPS	3-M13	5790	SEAT BELTS (COUPE)			
3-M05	5125	INTERIOR LAMPS	3-C14	5790A	SEAT BELTS (CONVERTIBLE)			
3-N05	5130	OVERHEAD CONSOLE	3-D14	5800	FRONT DOORS (COUPE)			
3-C06	5170	ORNAMENTS	3-G14	5800A	FRONT DOORS (CONVERTIBLE)			
3-D06	5180	COWL & EXTRACTOR GRILLES	3-K14	5830	FRONT DOOR MECHANISMS (COUPE)			
3-G06	5230	BONNET	3-F15	5830A	FRONT DOOR MECHANISMS (CONVERTIBLE)			
3-J06	5260	TRUNK LID (CONVERTIBLE)	3-J15	5840	FRONT DOOR TRIMS & RELATED PARTS (COUPE)			
3-L06	5310	BODY PANELS (FRONT) (COUPE)	3-H16	5840A	FRONT DOOR TRIMS & RELATED PARTS (CONVERTIBLE)			
3-C07	5310 A	BODY PANELS (FRONT) (CONVERTIBLE)						
3-F07	5320	BODY PANELS (FENDER & WHEEL ARCH)						
3-K07	5330	BODY PANELS (DASH & COWL PANEL)						
3-L07	5340	BODY PANELS (SIDE) (COUPE)						
3-E08	5340A	BODY PANELS (SIDE) (CONVERTIBLE)						
3-K08	5360	BODY PANELS (ROOF) (W/O SUN ROOF)						
3-L08	5360 A	BODY PANELS (ROOF) (SUN ROOF)						
3-M08	5370	BODY PANELS (FLOOR) (COUPE)						
3-D09	5370 A	BODY PANELS (FLOOR) (CONVERTIBLE)						
3-H09	5380	FLOOR ATTACHMENTS (HOLE COVERS)						

CATLOG-NO= AUFAD2-06

DATE. 1992-05

## SECTION NAME INDEX (BODY)2/2

LO.NO	SEC.NO	SECTION NAME	LO.NO	SEC.NO	SECTION NAME	LO.NO	SEC.NO	SECTION NAME
4-C03	610R	HEATER	4-E08	6703	WIRING HARNESES(DOOR,FLOOR/CEILING)			
4-E03	6110	HEATER UNIT COMPONENTS	4-G08	6704	WIRING HARNESS CLAMPS			
4-F03	6115	HEATER CONTROLS COMPONENTS	4-J08	6720	WINDSHIELD WASHER (1.5L & 2.5L)			
4-G03	6120	HEATER BLOWER COMPONENTS	4-L08	6720 A	WINDSHIELD WASHER (5.7L)			
4-I03	6130	AIR CONDITIONER	4-N08	6730	WINDSHIELD WIPERS			
4-J03	6230	LIFT GATE MECHANISMS (COUPE)	4-C09	6740	WIPER MOTOR COMPONENTS(FRONT)			
4-M03	6300	WINDOW GLASSES (COUPE)	4-D09	6750	WINDOW WIPER & WASHER (REAR)			
4-N03	6300A	WINDOW GLASSES (CONVERTIBLE)	4-G09	6760	WINDOW WIPER MOTOR COMPONENTS (REAR)			
4-C04	6330	SUNROOF (COUPE)	4-H09	6800	CEILING TRIMS (COUPE)			
4-G04	6330A	SUNROOF (CONVERTIBLE)	4-J09	6800A	CEILING TRIMS (CONVERTIBLE)			
4-M04	6600	SWITCHES & RELAYS (ENGINE)	4-K09	6810	ROLLEBAR (CONVERTIBLE)			
4-G05	6610	DASHBOARD SWITCHES	4-N09	6820	PILLAR TRIMS (COUPE)			
4-H05	6611	COMBINATION SWITCH	4-F10	6820A	PILLAR TRIMS (CONVERTIBLE)			
4-I05	6612	CLUSTER SWITCH	4-G10	6840	TRIMS & SCUFF PLATES (COUPE)			
4-L05	6615	POWER WINDOW SWITCHES	4-L10	6840A	TRIMS & SCUFF PLATES (CONVERTIBLE)			
4-M05	6630	RELAYS & UNIT (BODY)	4-N10	6845	STRAGE BOX (COUPE)			
4-D06	6635	DOOR SWITCH & HORNS			(GXL,TURBO)			
4-E06	6640	AUTO CRUISE CONTROL SYSTEM	4-D11	6860	FLOOR MATS & PADS (COUPE)			
4-F06	6680	AUDIO SYSTEMS (RADIO & TAPE DECK) (COUPE)	4-K11	6860A	FLOOR MATS & PADS (CONVERTIBLE)			
4-K06	6680 A	AUDIO SYSTEMS (RADIO & TAPE DECK) (CONVERTIBLE)	4-C12	6870	SERVICE TOOLS			
4-M06	6682	AUDIO SYSTEMS (ANTENNA & SPEAKER) (COUPE)	4-D12	6900	VISORS,ASSIST HANDLES & MIRRORS (COUPE)			
4-D07	6682 A	AUDIO SYSTEMS (ANTENNA & SPEAKER) (CONVERTIBLE)	4-H12	6900A	VISDRS,ASSIST HANDLES & MIRRORS (CONVERTIBLE)			
4-G07	6684	AUDIO SYSTEMS(NOISE SUPPRESSOR & EARTH CORD)	4-K12	6930	CAUTION PLATES & LABELS			
4-H07	6700	WIRING HARNESES(FRONT & REAR)	4-N12	7250	QUARTER WINDOW & TRIMS			
4-N07	6701	WIRING HARNESES(ENGINE & T/MISSION)	4-E13	7800	SPOILERS & RELATED PARTS			
4-D08	6702	WIRING HARNESES(DASHBOARD)	4-C14	7900	ACCESSORIES			

CATLOG-NO= AUFA02-06

DATE. 1992-05

## SECTION NAME INDEX (ENGINE)

LO.NO	SEC.NO	SECTION NAME	LO.NO	SEC.NO	SECTION NAME	LO.NO	SEC.NO	SECTION NAME
1-C03	1000	SHORT ENGINE & GASKET SETS (W/O TURBO)	1-G11	1840	STARTER			
1-D03	1000 A	SHORT ENGINE & GASKET SETS (TURBO)	1-J11	1850	BATTERY			
1-E03	1030	ROTOR HOUSINGS (W/O TURBO)	1-K11	1910	TORQUE CONVERTER, OIL PUMP & PIPINGS (AUTOMATIC)			
1-G03	1030 A	ROTOR HOUSINGS (TURBO)	1-N11	1920	TRANSMISSION CASE & MAIN CONTROL SYSTEM (AUTOMATIC)			
1-J03	1040	OIL PAN, FRONT & REAR HOUSING (W/O TURBO)	1-I12	1925	CONTROL VALVE (AUTOMATIC)			
1-M03	1040 A	OIL PAN, FRONT & REAR HOUSING (TURBO)	1-D13	1930	CLUTCHES & PLANETARY GEARS (AUTOMATIC)			
1-D04	1100	ECCENTRIC SHAFT & FLYWHEEL	1-L13	1940	GOVERNOR, LOW & REVERSE PISTON (AUTOMATIC)			
1-G04	1110	ROTORS & RELATED PARTS	1-1950		MANUAL LINKAGE SYSTEM (AUTOMATIC)			
1-I04	1300	INLET MANIFOLD	1-E14	1960	GASKET & SEAL KIT (AUTOMATIC)			
1-M04	1310	EXHAUST MANIFOLD						
1-N04	1311	INTER COOLER (TURBO)						
1-C05	1312	TURBO CHARGER (TURBO)						
1-F05	1320	FUEL SYSTEM						
1-H05	1325	FUEL DISTRIBUTOR						
1-I05	1330	AIR CLEANER						
1-M05	1350	STARTING ASSIST SYSTEM						
1-N05	1364	THROTTLE BODY						
1-F06	1371	AIR PUMP & AIR CONTROL VALVE						
1-I06	1380	EMISSION CONTROL SYSTEM						
1-D07	1399	CAP & HOSE CLIP (INLET & EXHAUST SIDE)						
1-F07	1400	OIL PUMP & FILTER (W/O TURBO)						
1-I07	1400 A	OIL PUMP & FILTER (TURBO)						
1-M07	1500	COOLING SYSTEM						
1-F08	1580	BRACKET, PULLEY & BELT						
1-C09	1600	CLUTCH DISC & COVER (MANUAL)						
1-F09	1700	TRANSMISSION CASE (MANUAL)						
1-J09	1710	TRANSMISSION GEARS (MANUAL)						
1-H10	1720	CHANGE CONTROL SYSTEM (MANUAL)						
1-M10	1800	ENGINE ELECTRICAL SYSTEM						
1-E11	1830	ALTERNATOR						

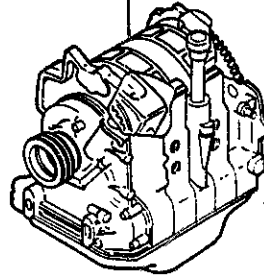
1000 SHORT ENGINE & GASKET SETS  
(W/O TURBO)

1000 -1 \* SHORT ENGINE & GASKET SETS  
(W/O TURBO)

10-271S

- 1-RING SET,"0".....(1)
- 2-GASKET,OIL PAN.....(1)
- 3-GASKET,FRONT COVER.....(1)
- 4-GASKET.....(1)
- 5-GASKET,IN MANIFOLD.....(1)
- 6-GASKET,NO.2,IN MANIFOLD.....(1)
- 7-GASKET.....(1)
- 8-GASKET,EX.MANIFOLD.....(1)
- 9-GASKET,A.C.VALVE.....(1)
- 10-GASKET,OIL STRAINER.....(1)
- 11-GASKET,METERING OIL.....(1)
- 12-GASKET,WATER PUMP.....(1)
- 13-GASKET.....(1)
- 14-GASKET,THERMOSTAT COVER.....(1)
- 15-GASKET,SHUTTER VALVE.....(1)
- 15-GASKET,B.A.C. VALVE.....(1)
- 17-GASKET,EXH.PIPE.....(1)
- 18-GASKET.....(4)
- 19-GASKET.....(6)
- 20-GASKET.....(2)
- 21-GASKET.....(1)
- 22-GASKET.....(1)

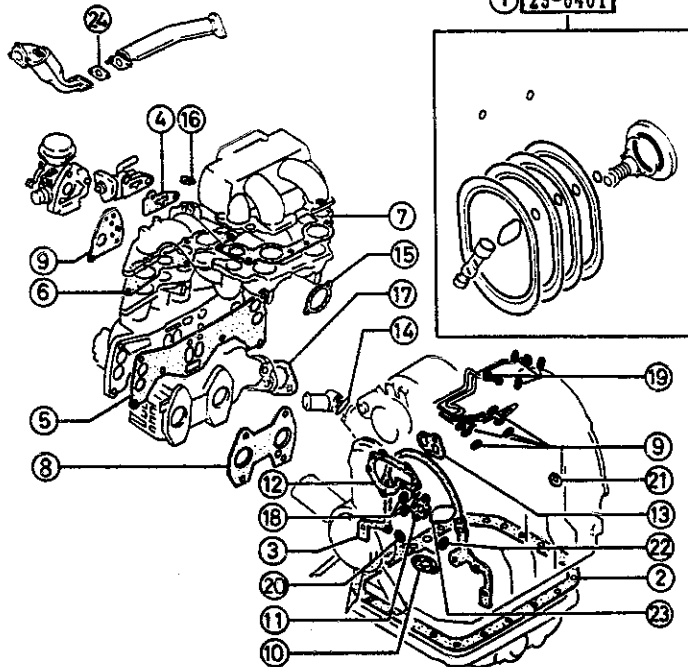
23-800



- 4-GASKET.....(1)
- 5-GASKET,IN MANIFOLD.....(1)
- 8-GASKET,EX.MANIFOLD.....(1)
- 23-RING"0".....(1)
- 24-GASKET.....(1)

13-111S

① 23-0401



PART NO.	QTY	MODEL/RESTRICTION	MODEL/RESTRICTION	MODEL/RESTRICTION	FROM-TO
10-271S		GASKET SET,ENGINE			
8AF5-10-271	1				
13-111S		GASKET SET,SUB-ENG.			
8AF4-13-111	1				
23-0401		RING SET,"0"			
N350-10-S60	1				
23-800		ENGINE,SHORT			
N350-02-200 A (N350-02-200A)	1				-9A01
N351-02-200 A (N351-02-200A)	1				-9A01
N350-02-200A	1 (MT)				9A01-
N351-02-200A	1 (AT)				9A01-

9A01 FC3\*\*\*-803554

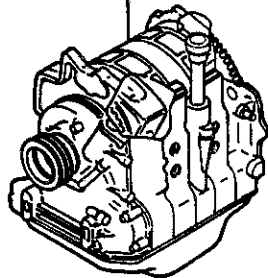
1000 A SHORT ENGINE & GASKET SETS  
(TURBO)

1000 A-1 \* SHORT ENGINE & GASKET SETS  
(TURBO)

10-271S

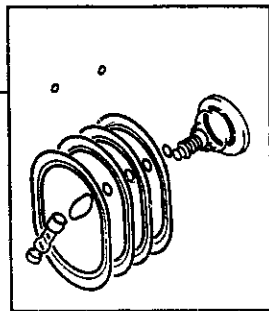
- 1-RING SET,"O".....(1)
- 2-GASKET,OIL FLLER PIPE...(1)
- 3-GASKET,OIL PAN.....(1)
- 4-GASKET,FRON COVER.....(1)
- 5-GASKET.....(1)
- 6-GASKET,IN.MANIFOLD.....(1)
- 7-GASKET NO.2,IN. MANIFOLD (1)
- 8-GASKET.....(2)
- 9-GASKET,EX.MANIFOLD.....(1)
- 10-GASKET,FUEL DIS.....(2)
- 11-GASKET,EXH.PIPE.....(1)
- 12-GASKET,OIL PIPE.....(1)
- 13-GASKET,OIL PIPE.....(2)
- 14-GASKET,TURBO CHARGER...(1)
- 15-GASKET.....(1)
- 16-GASKET,A.C.VALVE.....(1)
- 17-GASKET,OIL STRAINER.....(1)
- 18-GASKET,OIL STRAINER.....(1)
- 19-GASKET,METERING OIL.....(1)
- 20-GASKET,WATER PUMP.....(1)
- 21-GASKET.....(1)
- 22-GASKET,THERMOSTAT COVER.(1)
- 23-GASKET,B.A.C.VALVE.....(1)
- 24-GASKET.....(4)
- 25-GASKET.....(8)
- 26-GASKET.....(2)
- 27-GASKET.....(1)
- 28-GASKET.....(4)
- 29-GASKET.....(3)

23-800

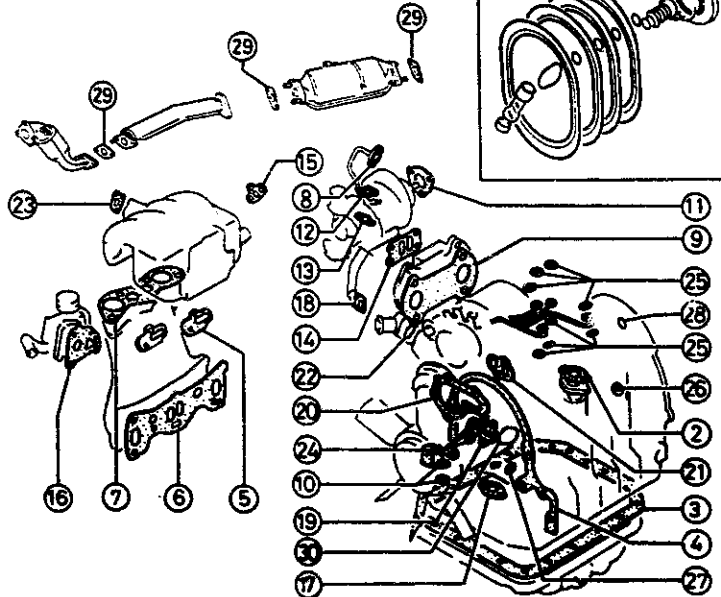


- 6-GASKET,IN.MANIFOLD.....(1)
- 7-GASKET NO.2,IN. MANIFOLD (1)
- 9-GASKET,EX.MANIFOLD.....(1)
- 25-GASKET.....(8)
- 30-RING"O".....(1)

13-111S



1 23-0401



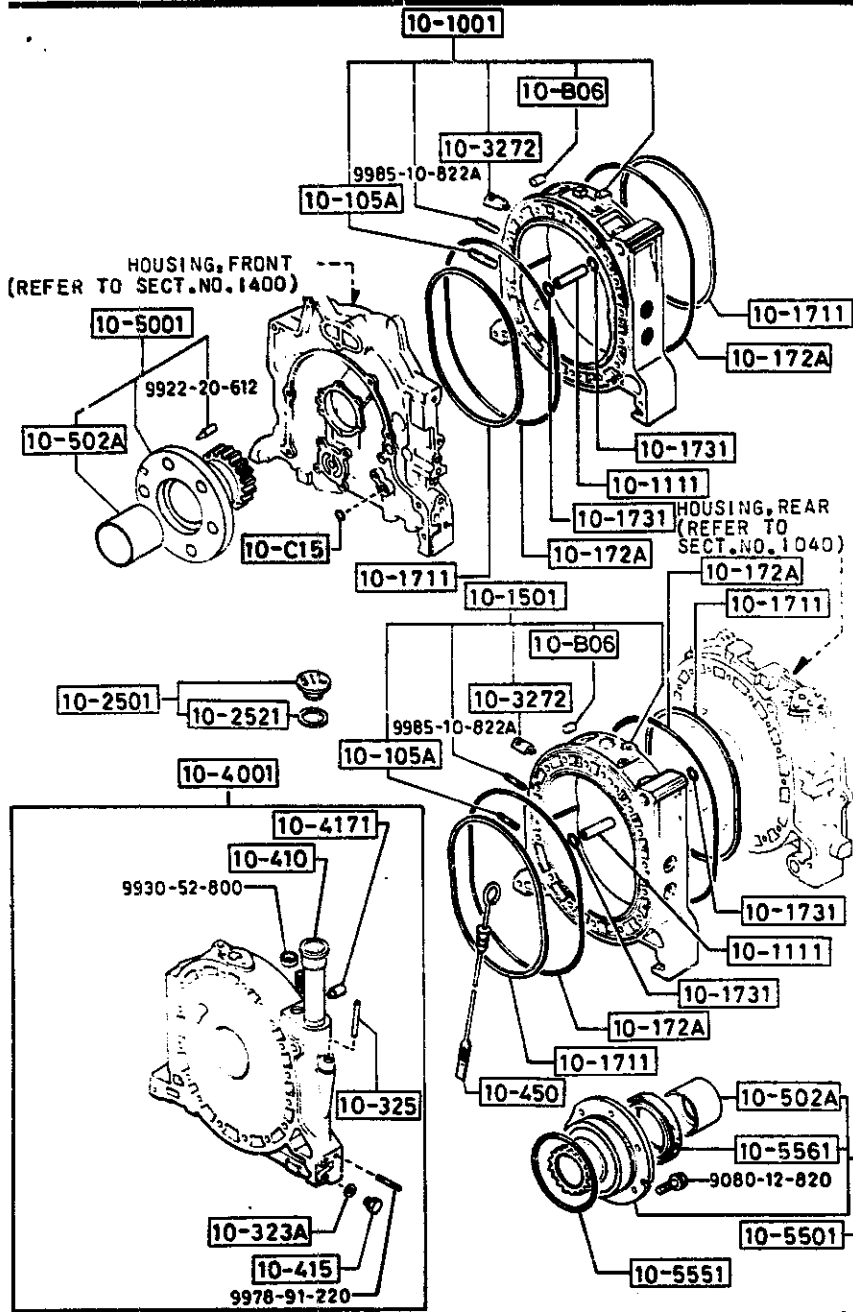
PART NO.	QTY	MODEL/RESTRICTION	MODEL/RESTRICTION	MODEL/RESTRICTION	FROM-TO
10-271S		GASKET SET,ENGINE			
8AF6-10-271	1	ASBESTOS			
13-111S		GASKET SET,SUB-ENG.			
8AF5-13-111	1				
23-0401		RING SET,"O"			
NS70-10-S60	1				
23-800		ENGINE,SHORT			
NS70-02-200	1				-9A01
A (NS70-02-200A)					
NS70-02-200A	1				9A01-
9A01 FC3MMK-803554					

D 3



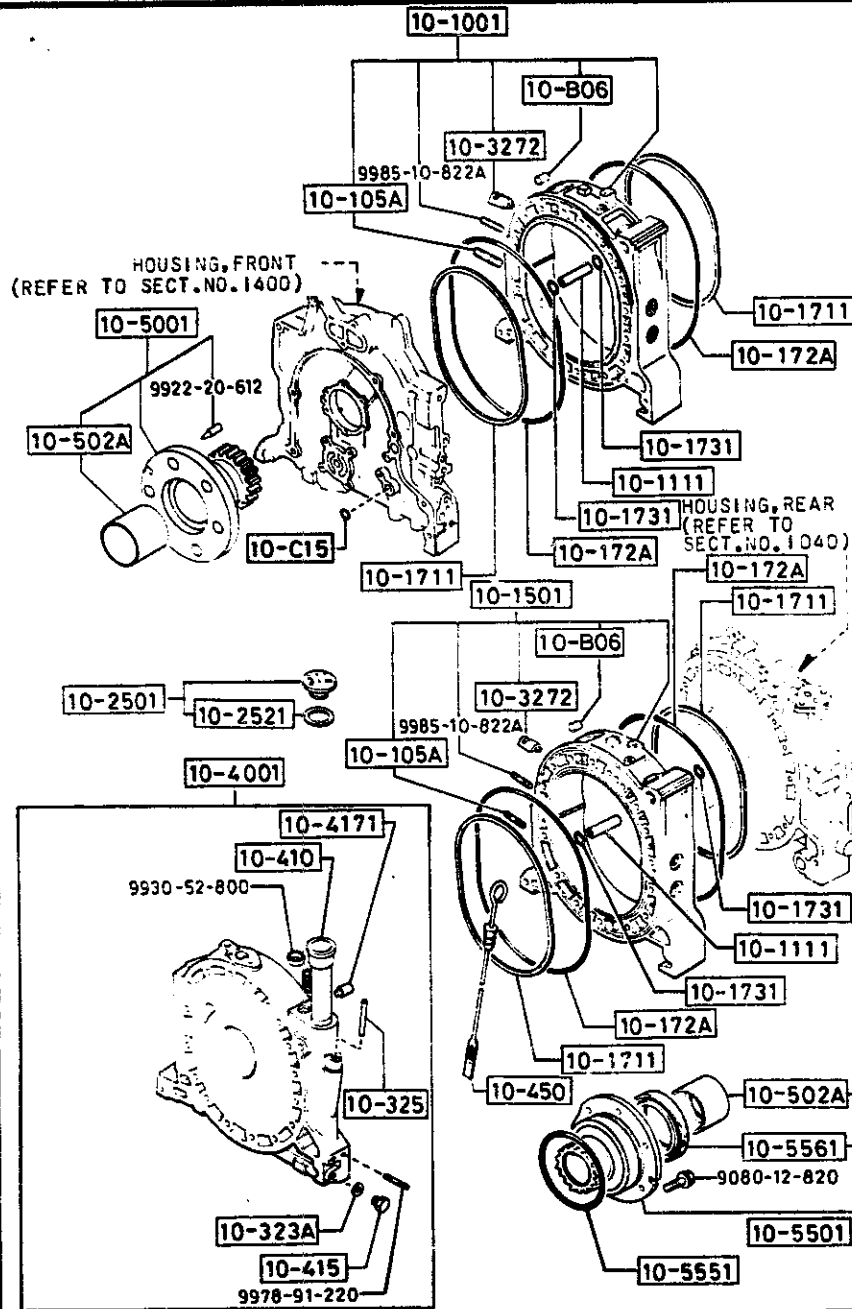
1030 ROTOR HOUSINGS  
(W/O TURBO)

1030 --1 ROTOR HOUSINGS  
(W/O TURBO)



PART NO.	QTY	MODEL/RESTRICTION	MODEL/RESTRICTION	MODEL/RESTRICTION	FROM-TO
10-806		PIN, SPRING			
N326-10-806	4				
10-C15		RING, BACKUP			
N326-10-C15	1				
10-1001		HOUSING, ROTOR-FRONT			
N350-10-B10A	1				
10-105A		STUD, ROTOR HOUSING			
0839-10-105	4				
10-1111		DOWEL, TUBULAR			
1757-10-111	4				
10-1501		HOUSING, ROTOR-REAR			
N350-10-850A	1				
10-1711		RING, SQUARE			
N326-10-871A	4				
10-172A		RING, SQUARE-OUTER			
N326-10-872	4				
10-1731		RING, 'O'			
N231-10-173	4				
10-2501		CAP, OIL FILLER			
8871-10-250A	1				
10-2521		GASKET, OIL CAP			
8871-10-252	1				
10-323A		GASKET, WATER DRAIN-INTER.			
N326-10-323	1				
10-325		PIPE, OIL LEVEL GAUGE			
N326-10-441	1				
10-3272		PLUG, JET			
N326-14-633	2				

1030 ROTOR HOUSINGS  
(W/O TURBO)



1030 -2 \* ROTOR HOUSINGS  
(W/D TURBO)

PART NO.	QTY	MODEL/RESTRICTION	MODEL/RESTRICTION	MODEL/RESTRICTION	FROM-TO
10-4001	1	HOUSING, INTERMEDIATE			-9301
N350-10-D00B A (N350-10-D00C)	1				9301-
N350-10-D00C	1				
10-410	1	PIPE, OIL FILLER			
N350-10-420	1				
10-415	1	PLUG, SOCKET			
N225-10-415	1				
10-4171	1	JOINT, PIPE			
8562-10-417	1				
10-450	1	GAUGE, OIL LEVEL			-9101
N326-10-450A A (N326-10-450B)	1				9101-
N326-10-450B	1				
10-5001	1	GEAR, STATIONARY-FRT.			-0601
N370-10-E00 A (N370-10-E00C)	1				0601-
N370-10-E00C	1				
10-502A	2	METAL, STATIONARY GEAR O.S.			
N350-10-E02	2				
0820-10-502B	2	STD.			
10-5501	1	GEAR, STATIONARY-RR.			-0601
N370-10-E10 A (N370-10-E10B)	1				0601-
N370-10-E10B	1				
10-5551	1	RING, 'O'			
0813-10-555A	1				
10-5561	1	SEAL, OIL			-9201
N350-10-E15 AN (1668-10-556A)	1				9201-
1668-10-556A	1				
9101 FC3MM-700067 9201 FC3MM-701886 9301 FC3MM-704194 0601 FC3MM-806965					

AUFA02

CAT. AUFA02-06

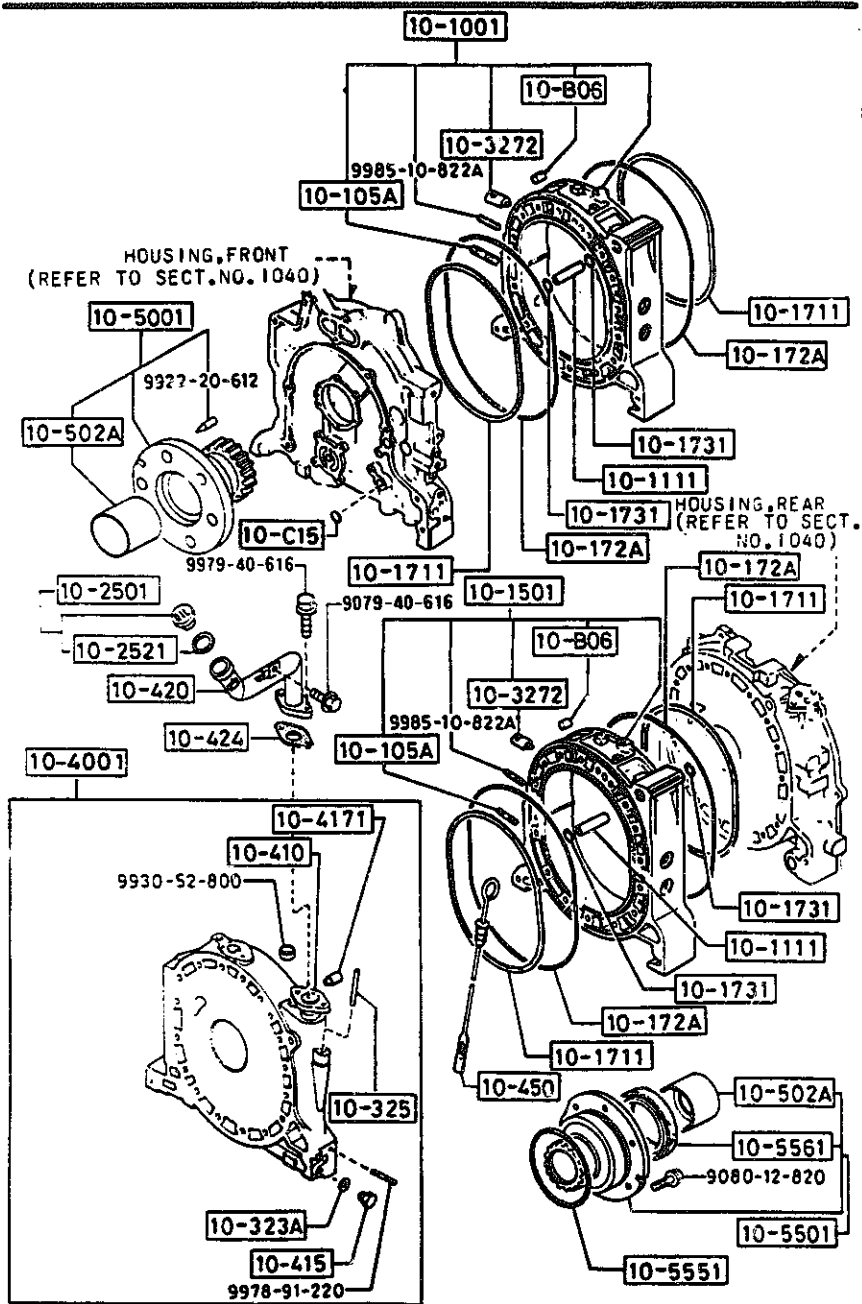
1992-05





1030 A ROTOR HOUSINGS  
(TURBO)

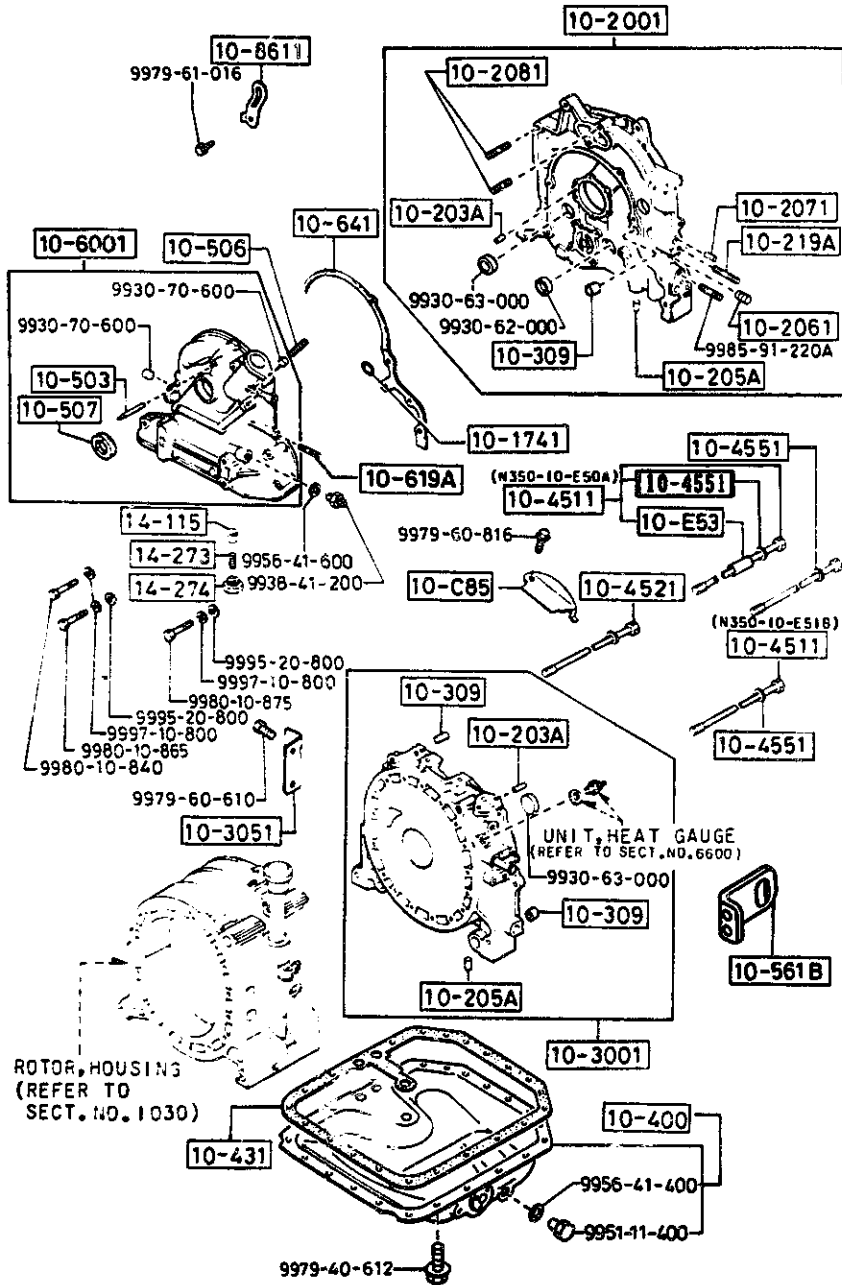
1030 A-3 \* ROTOR HOUSINGS  
(TURBO)



PART NO.	QTY	MODEL/RESTRICTION	MODEL/RESTRICTION	MODEL/RESTRICTION	FROM-TO
10-5551		RING, 'O'			
0813-10-555A	1				
10-5561		SEAL, OIL			
N350-10-E15 AN(1668-10-556A)	1				-9201
1668-10-556A	1				9201-
9201 FC3MMH-701886					

1040 OIL PAN, FRONT & REAR HOUSING (W/O TURBO)

1040 -1 OIL PAN, FRONT & REAR HOUSING (W/O TURBO)

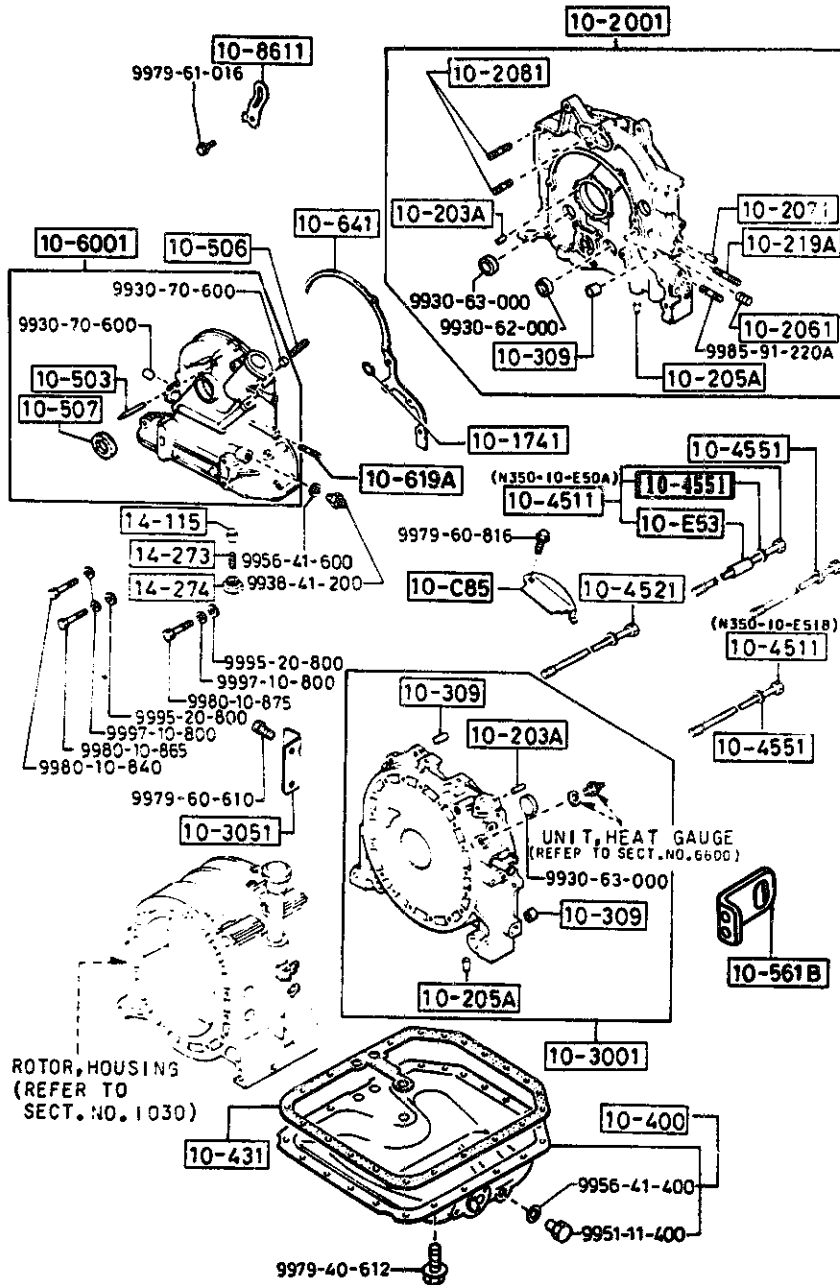


PART NO.	QTY	MODEL/RESTRICTION	MODEL/RESTRICTION	MODEL/RESTRICTION	FROM-TO
10-C85		COVER, DUST			
N350-10-C85	1				
10-E53		RING, 'O'-TENTION BOLT			
N350-10-E56	1				
10-1741		RING, 'O'			
N231-10-174	1				
10-2001		HOUSING, FRONT			
N350-10-C00A	1				
10-203A		PIN, DOWEL			
0839-10-203	2				
10-205A		PLUG, BLIND			
8562-10-205	4				
10-2061		PLUG, BLIND			
1757-10-206A	1				
10-2071		PLUG, BLIND			
1757-10-207A	1				
10-2081		STUD			
1757-10-208	4				
10-219A		STUD, HOUSING			
N249-10-219	1				
10-3001		HOUSING, REAR			
N350-10-C50 A (N350-10-C50A)	1				-9A01
N350-10-C50A	1				9A01-
10-3051		COVER, DUST			
N225-10-305	1				
10-309		PIN, TUBULAR			
1757-10-309	4				

9A01 FC3\*\*\*-803554

1040 OIL PAN, FRONT & REAR HOUSING  
(W/O TURBO)

1040 -2 OIL PAN, FRONT & REAR HOUSING  
(W/O TURBO)



PART NO.	QTY	MODEL/RESTRICTION	MODEL/RESTRICTION	MODEL/RESTRICTION	FROM-TO
10-400		PAN, OIL			
N326-10-400E	1	FED, (W/SUBU ZERO SYSTEM)			-9821
N328-10-400E	1	CALIF, (W/O SUBU ZERO SYSTEM)			-9821
N328-10-400E	1				9821-
10-431		GASKET, OIL PAN			
N3Y6-10-427	1	ASBESTOS			
10-4511		BOLT, TENSION			
N350-10-E50A	1				
N350-10-E51B	16				
10-4521		BOLT, TENSION			
N350-10-E61A	1				
10-4551		WASHER, SEAL			
0839-10-455	18				
10-503		PIN, TOP INDICATOR			
8871-10-631A	1				
10-506		STUD, FRONT COVER			
N326-10-506	1				
10-507		SEAL, OIL			
0820-10-605	1				
10-561B		HANGER, ENGINE-REAR			
N350-10-566	1				
10-6001		COVER, FRONT			
N350-10-500A	1				
10-619A		STUD, COVER			
N249-10-619	2				
10-641		GASKET, FRONT COVER			
9821 FCSMKN-801559					

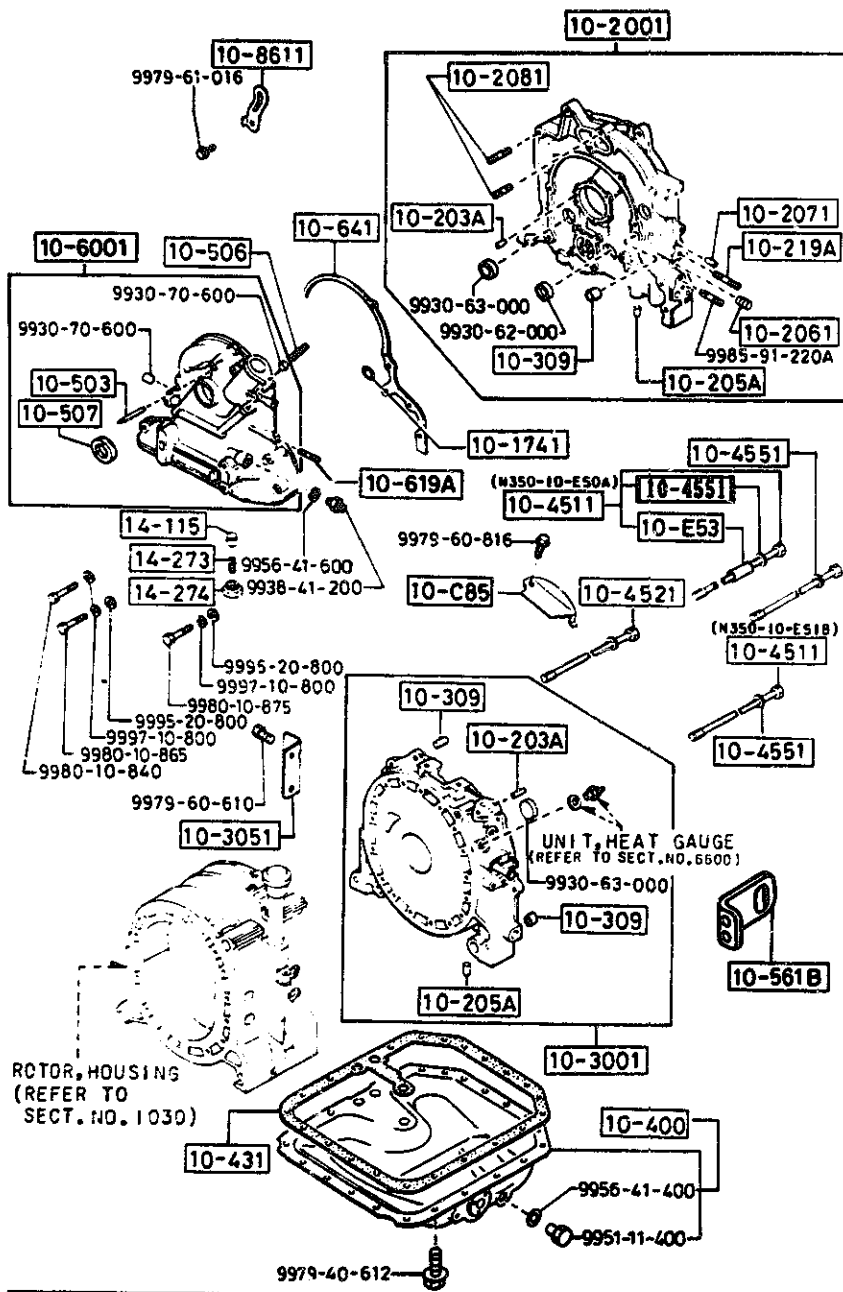
AUFA02

CAT. AUFA02-06

1992-05

1-K 3

1040 OIL PAN, FRONT & REAR HOUSING  
(W/O TURBO)



1040 -3 H OIL PAN, FRONT & REAR HOUSING  
(W/C TURBO)

PART NO.	QTY	MODEL/RESTRICTION	MODEL/RESTRICTION	MODEL/RESTRICTION	FROM-TO
CONT'D					
N326-10-502A	1	ASBESTOS			
10-8611	1	HANGER, ENGINE			
N225-10-861	1				
14-115	1	PLUNGER, CONTROL			
0839-14-115	1				
14-273	1	SPRING			
0839-14-273A	1				
14-274	1	PLUG			
0839-14-274	1				

AUFA02

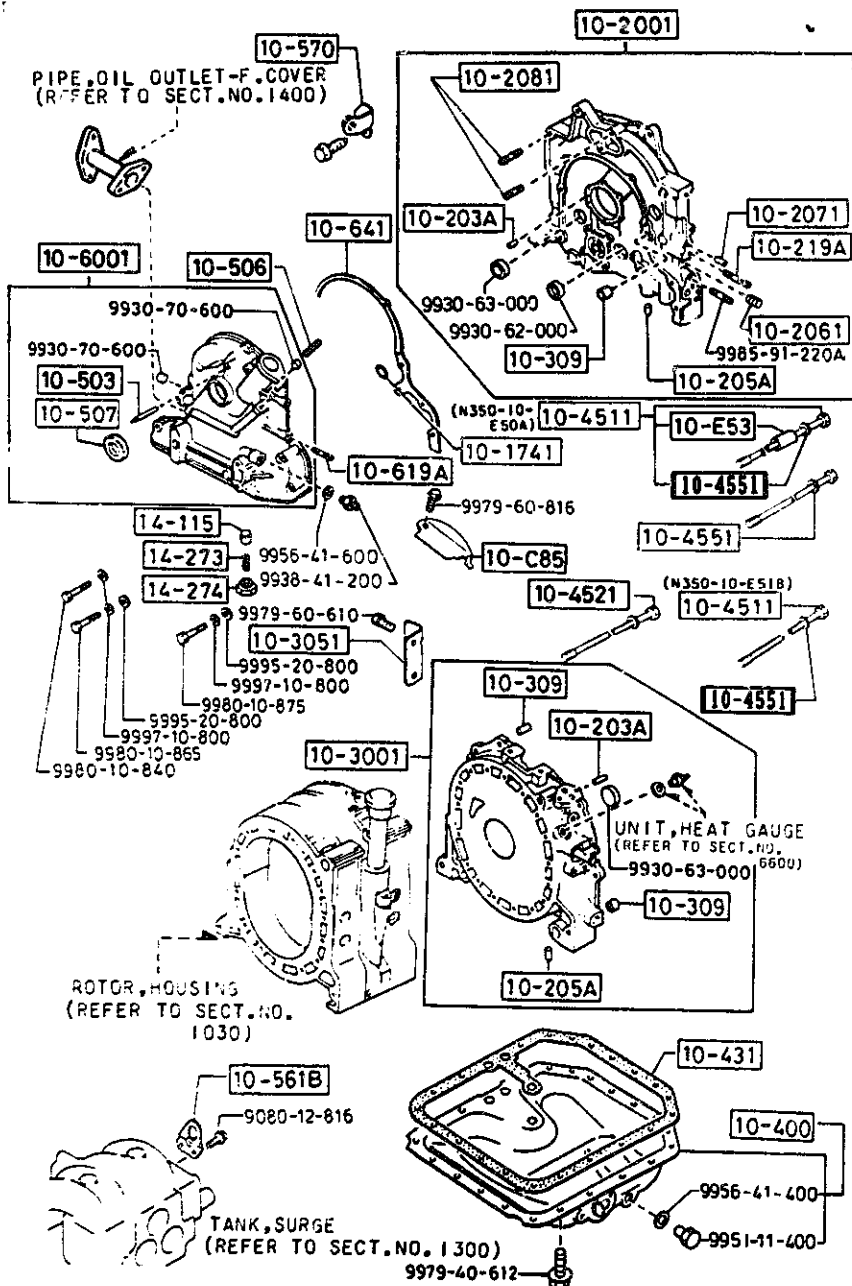
CAT. AUFA02-06

1992-05



1040 A OIL PAN, FRONT & REAR HOUSING  
(TURBO)

1040 A-1 OIL PAN, FRONT & REAR HOUSING  
(TURBO)

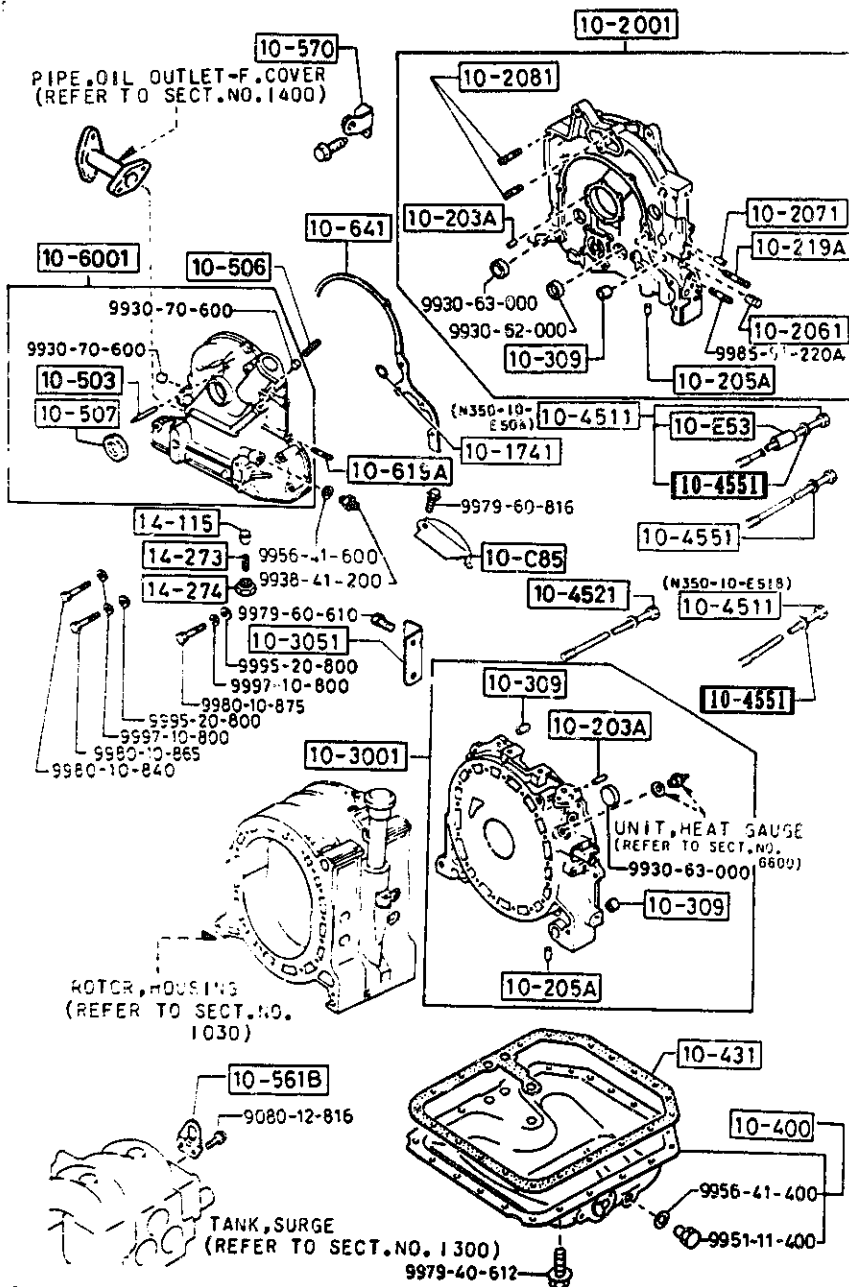


PART NO.	QTY	MODEL/RESTRICTION	MODEL/RESTRICTION	MODEL/RESTRICTION	FROM-TO
10-C85		COVER, DUST			
N350-10-C85	1				
10-E53		RING, 'O'-TENTION BDL			
N350-10-E56	1				
10-1741		RING, 'O'			
N251-10-174	1				
10-2001		HOUSING, FRONT			
N370-10-C00A A (N370-10-C00B)	1				-0201
N370-10-C00B	1				0201-
10-203A		PIN, DOWEL			
0839-10-203	2				
10-205A		PLUG, BLIND			
8562-10-205	3				
10-2061		PLUG, BLIND			
1757-10-206A	1				
10-2071		PLUG, BLIND			
1757-10-207A	1				
10-2081		STUD			
1757-10-208	4				
10-219A		STUD, HOUSING			
N249-10-219	1				
10-303		HOUSING, REAR			
N370-10-C50 A (N370-10-C50A)	1				-9A01
N370-10-C50A	1				9A01-
10-3051		COVER, DUST			
N225-10-305	1				
10-309		PIN, TUBULAR			

9A01 FC3MM-803554  
0201 FC3MM-806074

1040 A OIL PAN, FRONT & REAR HOUSING  
(TURBO)

1040 A-2 OIL PAN, FRONT & REAR HOUSING  
(TURBO)



PART NO.	QTY	MODEL/RESTRICTION	MODEL/RESTRICTION	MODEL/RESTRICTION	FROM-TO
CONT'D					
1757-10-309	4				
10-400		PAN, OIL			
N326-10-400E	1	FED, (W/SUBU ZERO SYSTEM)			-9821
N328-10-400E	1	CALIF, (W/O SUBU ZERO SYSTEM)			-9821
N328-10-400E	1				9821-
10-431		GASKET, OIL PAN			
N3Y6-10-427	1	ASBESTOS			
10-4511		BOLT, TENSION			
N350-10-E50A	1				
N350-10-E51B	16				
10-4521		BOLT, TENSION			
N350-10-E61A	1				
10-4551		WASHER, SEAL			
0839-10-455	18				
10-503		PIN, TOP INDICATOR			
8871-10-631A	1				
10-506		STUD, FRONT COVER			
N326-10-506	1				
10-507		SEAL, OIL			
0820-10-605	1				
10-561B		HANGER, ENGINE-REAR			
N318-10-566A	1				
10-570		BRACKET, HANGER-ENGINE			
N318-10-570A C (N318-10-570B)	1				-02...
N318-10-570B	1				0201-
N318-10-570A C N318-10-570B 99234-1614	1 1	9821 FCSMM-801559 0201 FCSMM-806074			

AUFA02

CAT. AUFA02-06

1992-05

1-N-3

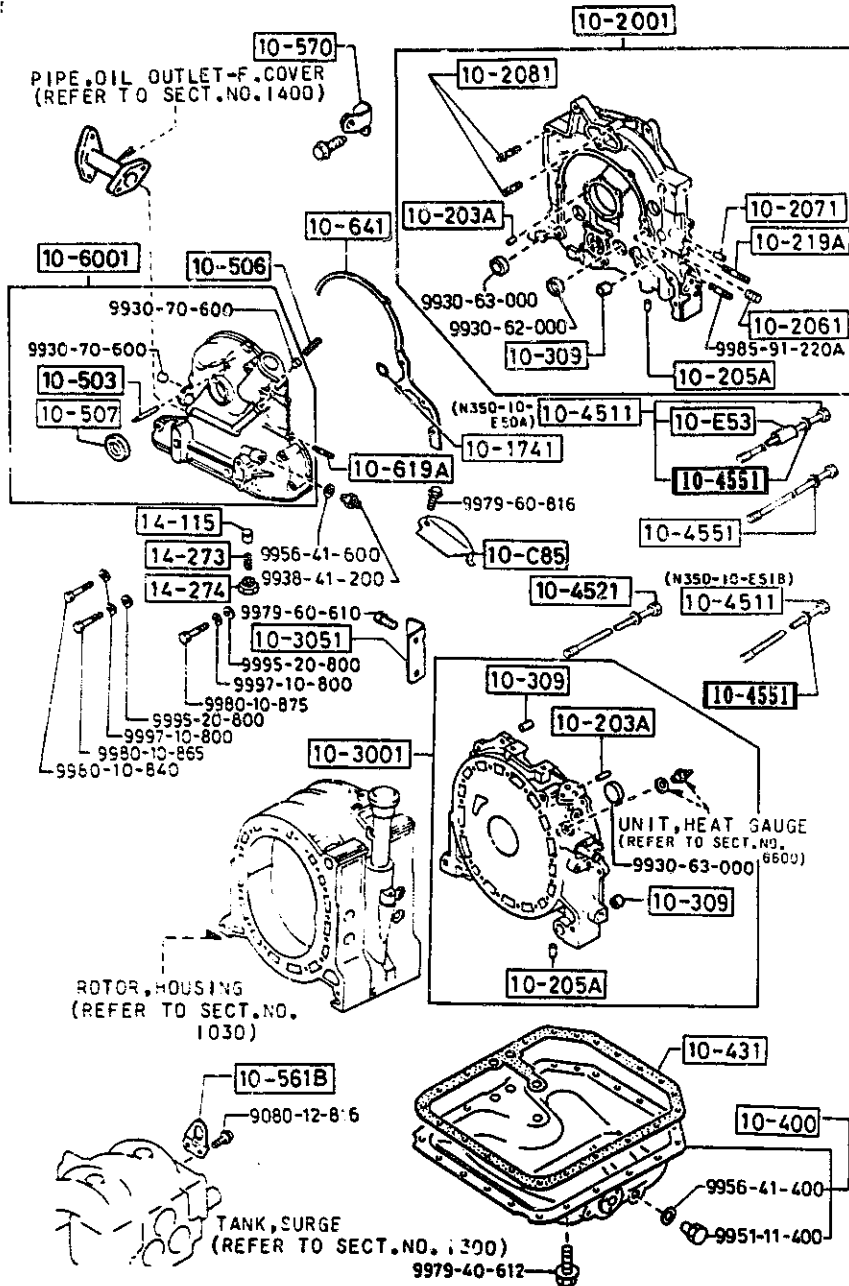
## SECTION NAME INDEX (ENGINE)

LD.NO	SEC.NO	SECTION NAME	LD.NO	SEC.NO	SECTION NAME	LD.NO	SEC.NO	SECTION NAME
1-C03	1000	SHORT ENGINE & GASKET SETS (W/O TURBO)	1-G11	1840	STARTER			
1-D03	1000 A	SHORT ENGINE & GASKET SETS (TURBO)	1-J11	1850	BATTERY			
1-E03	1030	ROTOR HOUSINGS (W/O TURBO)	1-K11	1910	TORQUE CONVERTER, OIL PUMP & PIPINGS (AUTOMATIC)			
1-G03	1030 A	ROTOR HOUSINGS (TURBO)	1-N11	1920	TRANSMISSION CASE & MAIN CONTROL SYSTEM (AUTOMATIC)			
1-J03	1040	OIL PAN, FRONT & REAR HOUSING (W/O TURBO)	1-I12	1925	CONTROL VALVE (AUTOMATIC)			
1-M03	1040 A	OIL PAN, FRONT & REAR HOUSING (TURBO)	1-D13	1930	CLUTCHES & PLANETARY GEARS (AUTOMATIC)			
1-D04	1100	ECCENTRIC SHAFT & FLYWHEEL	1-L13	1940	GOVERNOR, LOW & REVERSE PISTON (AUTOMATIC)			
1-G04	1110	ROTORS & RELATED PARTS	1-C14	1950	MANUAL LINKAGE SYSTEM (AUTOMATIC)			
1-I04	1300	INLET MANIFOLD	1-E14	1960	GASKET & SEAL KIT (AUTOMATIC)			
1-M04	1310	EXHAUST MANIFOLD						
1-N04	1311	INTER COOLER (TURBO)						
1-C05	1312	TURBO CHARGER (TURBO)						
1-F05	1320	FUEL SYSTEM						
1-H05	1325	FUEL DISTRIBUTOR						
1-I05	1330	AIR CLEANER						
1-M05	1350	STARTING ASSIST SYSTEM						
1-N05	1364	THROTTLE BODY						
1-F06	1371	AIR PUMP & AIR CONTROL VALVE						
1-I06	1380	EMISSION CONTROL SYSTEM						
1-D07	1399	CAP & HOSE CLIP (INLET & EXHAUST SIDE)						
1-F07	1400	OIL PUMP & FILTER (W/O TURBO)						
1-I07	1400 A	OIL PUMP & FILTER (TURBO)						
1-M07	1500	COOLING SYSTEM						
1-F08	1580	BRACKET, PULLEY & BELT						
1-C09	1600	CLUTCH DISC & COVER (MANUAL)						
1-F09	1700	TRANSMISSION CASE (MANUAL)						
1-J09	1710	TRANSMISSION GEARS (MANUAL)						
1-H10	1720	CHANGE CONTROL SYSTEM (MANUAL)						
1-M10	1800	ENGINE ELECTRICAL SYSTEM						
1-E11	1830	ALTERNATOR						



1040 A OIL PAN, FRONT & REAR HOUSING (TURBO)

1040 A-3 \* OIL PAN, FRONT & REAR HOUSING (TURBO)



PART NO.	QTY	MODEL/RESTRICTION	MODEL/RESTRICTION	MODEL/RESTRICTION	FROM-TO
10-6001		COVER, FRONT			
N370-10-500A	1				-0608
NF01-10-500	1				0608-
10-619A		STUD, COVER			
N249-10-619	2				
10-641		GASKET, FRONT COVER			
N326-10-502A	1	ASBESTOS			-0501
N386-10-502	1	NON ASBESTOS			0501-
14-115		PLUNGER, CONTROL			
0839-14-115	1				
14-273		SPRING			
0839-14-273A	1				
14-274		PLUG			
0839-14-274	1				
0501 FC3***-806642 0608 FC3***-806997					

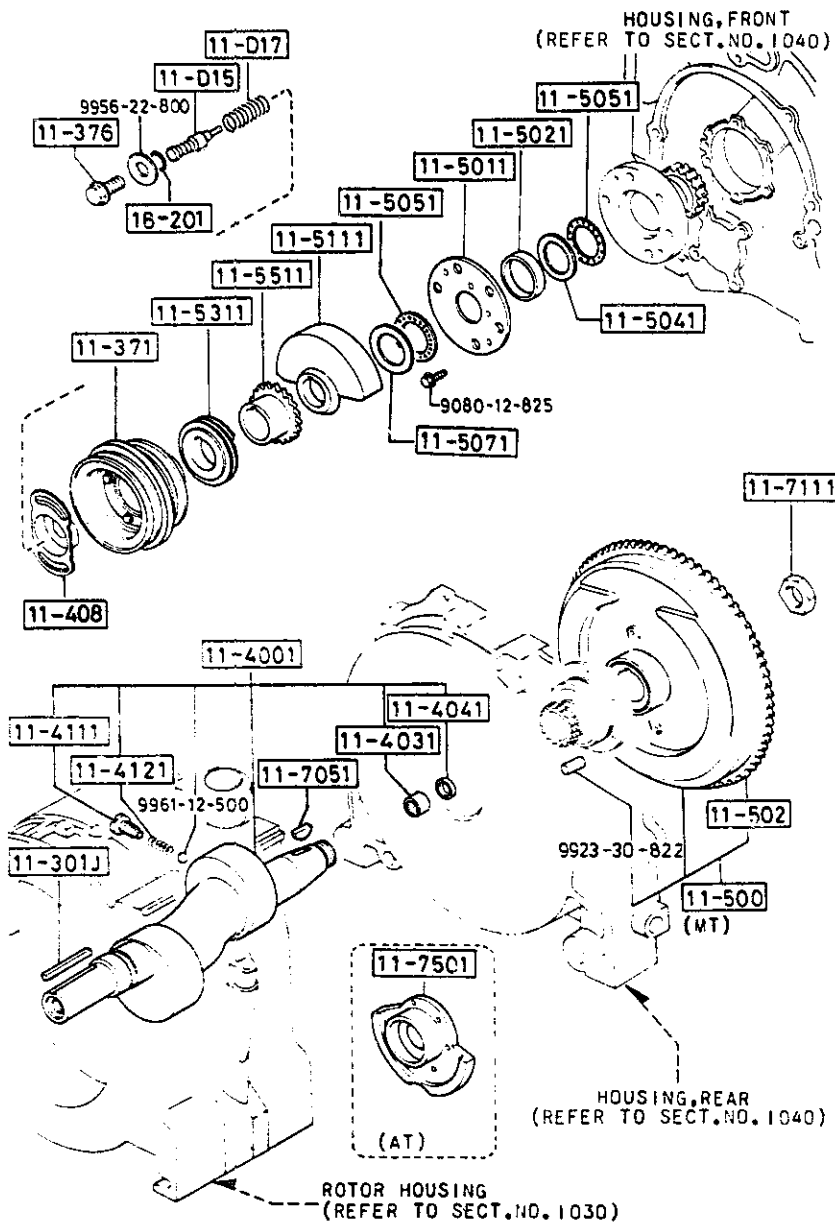
AUFA02

CAT. AUFA02-06

1992-05

1-C 4

1100 ECCENTRIC SHAFT & FLYWHEEL



PART NO.	QTY	MODEL/RESTRICTION	MODEL/RESTRICTION	MODEL/RESTRICTION	FROM-TO
11-D15 N326-11-D15	1	PELLET, THERMO-ECCENTRIC			
11-D17 N326-11-D17	1	SPRING, THERMO PELLET-E/S			
11-301J 99236-0571	1	KEY, WOODRUFF-PULLEY			
11-371 N350-11-400A A (N350-11-400B)	1	PULLEY, CRANKSHAFT			-0401
11-376 N350-11-400B	1	BOLT, PULLEY			0401-
11-4001 N318-11-420A A (N318-11-420B)	1	SHAFT, ECCENTRIC			-0416
11-4001 N326-11-D00B	1	(MT)			
11-4001 N327-11-D00B	1	(AT)			
11-4031 N326-11-D03	1	BEARING, NEEDLE			
11-4041 1881-11-404	1	SEAL, OIL			
11-408 N350-11-408A	1	PLATE, CRANKSHAFT PULLEY			0401-
11-4111 N326-11-011	2	PLUG, OIL JET			
11-4121 0839-11-412	2	SPRING			
11-500 N350-11-500	1	WHEEL, FLY			((W/D TURBO))>(MT) )
11-500 N370-11-500	1				((TURBO))>(MT) )
0401 FCS***-806597 0416 FCS***-806620					

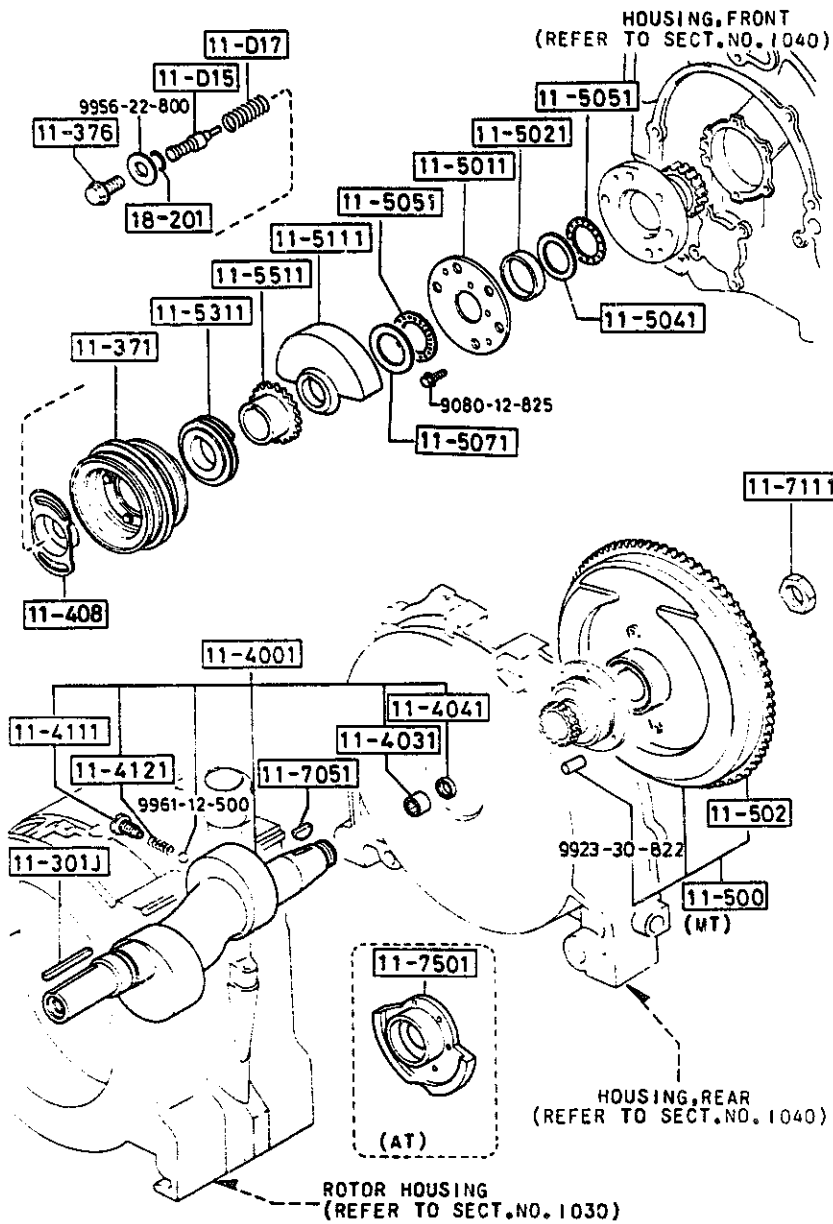
AUFA02

CAT. AUFA02-06

1992-05

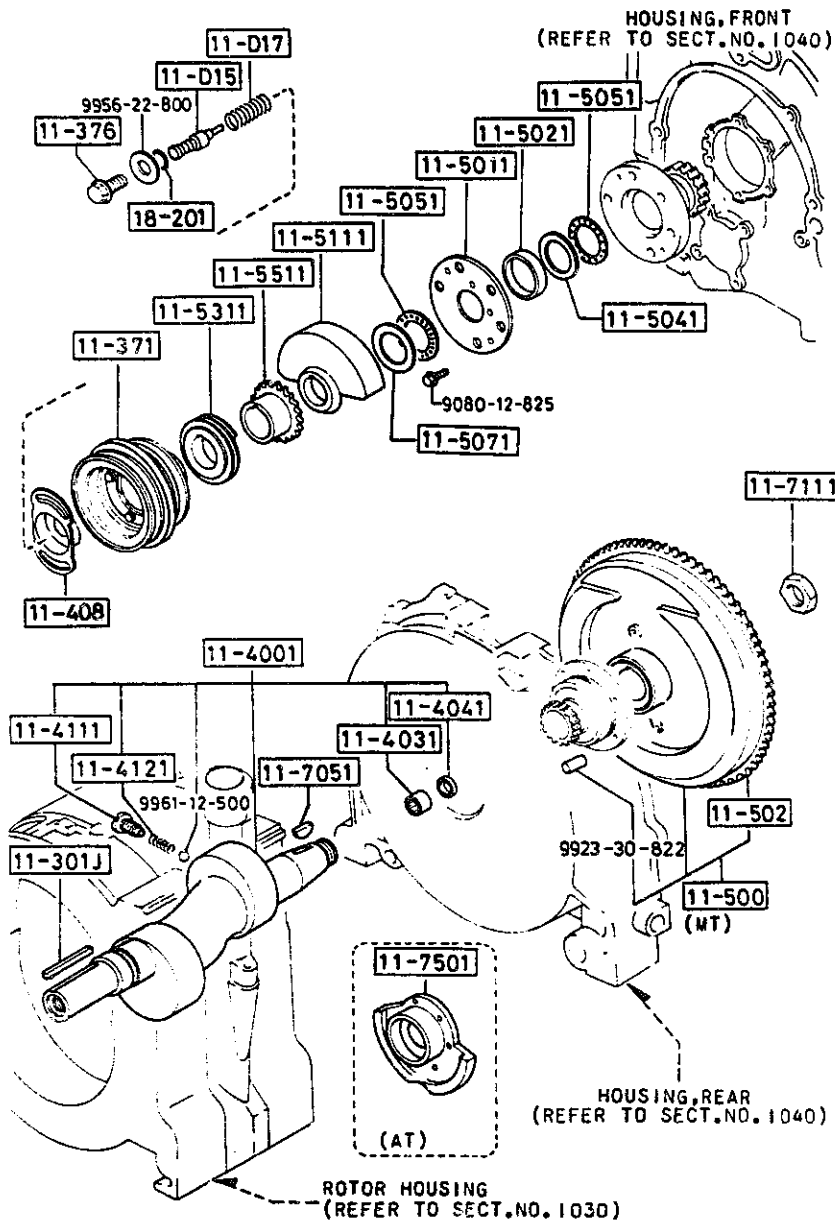
1-D 4

1100 ECCENTRIC SHAFT & FLYWHEEL

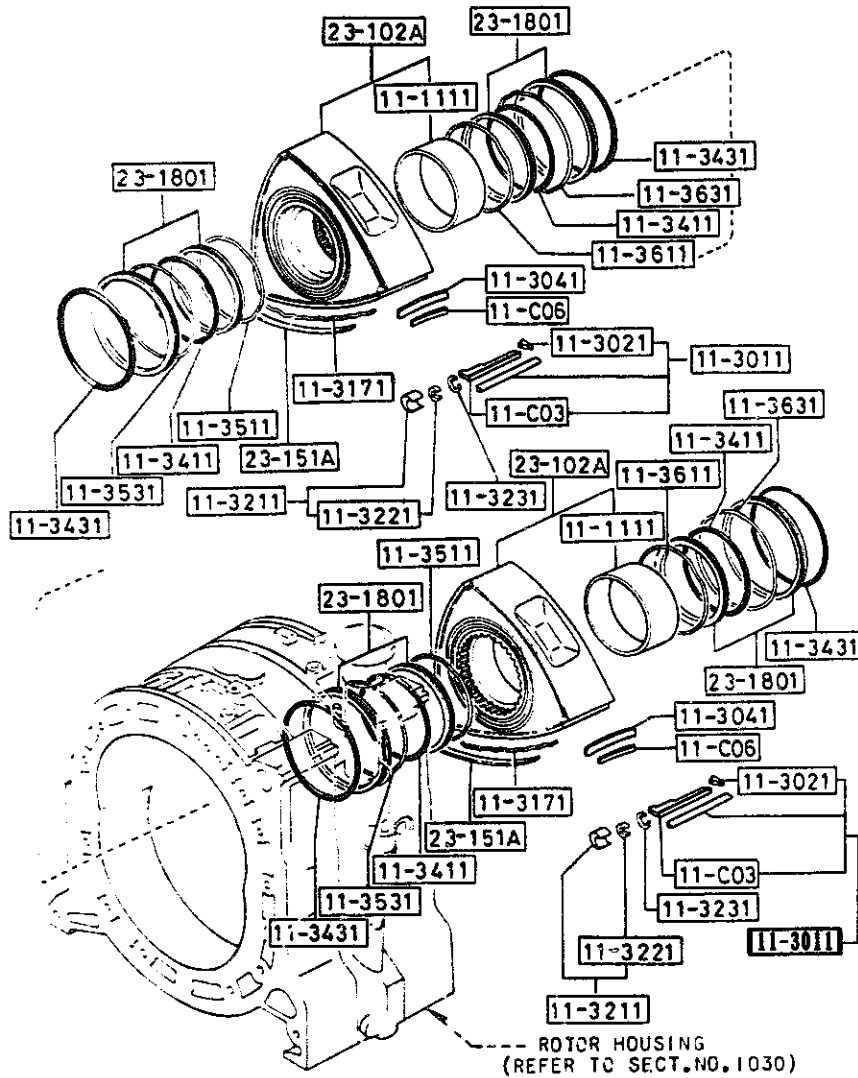


PART NO.	QTY	MODEL/RESTRICTION	MODEL/RESTRICTION	MODEL/RESTRICTION	FROM-TO
11-5011		PLATE			
1011-11-501	1				
11-502		GEAR, RING-FLY WHEEL			
N318-11-502A	1	((TURBO))<(MT) )			
0866-11-702	1	((W/O TURBO))<(MT) )			
11-5021		SPACER			
0839-11-502	1	L=8.02MM			
0839-11-506	1	L=8.08MM			
0839-11-508	1	L=8.04MM			
0839-11-509	1	L=8MM			
8519-11-517	1	L=8.06MM			
8534-11-518	1	L=8.1MM			
8871-23-129	1	L=8.12MM			
11-5041		PLATE, THRUST			
1011-11-504	1				
11-5051		BEARING, NEEDLE			
0813-11-505B	2				
11-5071		WASHER, THRUST			
1011-11-507	1				
11-5111		WEIGHT, BALANCE			
N350-11-D61	1	(MT)			-9601
N350-11-D61	1	(AT)			9601-
N326-11-D61A	1	(AT)			
11-5311		GEAR, DRIVE			
0839-11-531	1				
11-5511		GEAR, DRIVE-OIL PUMP			
N326-11-D75	1				
9601 FCS***-708021					

1100 ECCENTRIC SHAFT & FLYWHEEL



PART NO.	QTY	MODEL/RESTRICTION	MODEL/RESTRICTION	MODEL/RESTRICTION	FROM-TO
11-7051		KEY, FLY WHEEL			
0820-11-705	1				
11-7111		NUT, LOCK			
0810-11-711	1				
11-7501		WEIGHT, COUNTER			
N351-11-521	1 (AT)				
18-201		RING, 'O'			
99541-01105	1				



PART NO.	QTY	MODEL/RESTRICTION	MODEL/RESTRICTION	MODEL/RESTRICTION	FROM-TO
11-C03		PIECE, 2ND.-APEX SEAL			
N326-11-C03A	6				
11-C06		SPRING, OUTER-APEX SEAL			
N326-11-C06A	6				
11-1111		METAL, ROTOR			
1011-11-111	2				
11-3011		SEAL, APEX			
N326-11-C00C	6 (TURBO)				
N326-11-C00C	6 (W/O TURBO)				
N351-11-C00	6 (W/O TURBO)				
11-3021		PIECE, SIDE			
N326-11-C02A	6				
11-3041		SPRING, APEX SEAL			
N326-11-C04A	6				
11-3171		SPRING, SIDE SEAL			
N326-11-C17	12				
11-3211		SEAL, CORNER			
N326-11-C20A	12				
11-3221		PLUG, CORNER SEAL			
N326-11-C22A	24				
11-3231		SPRING, CORNER SEAL			
1202-11-323A	12				
11-3411		RING, 'O'-INNER			
0820-11-341	4				
11-3431		RING, 'O'-OUTER			
8341-11-343	4				
11-3511		SPRING, FRT.-INNER			
N225-11-351	2				

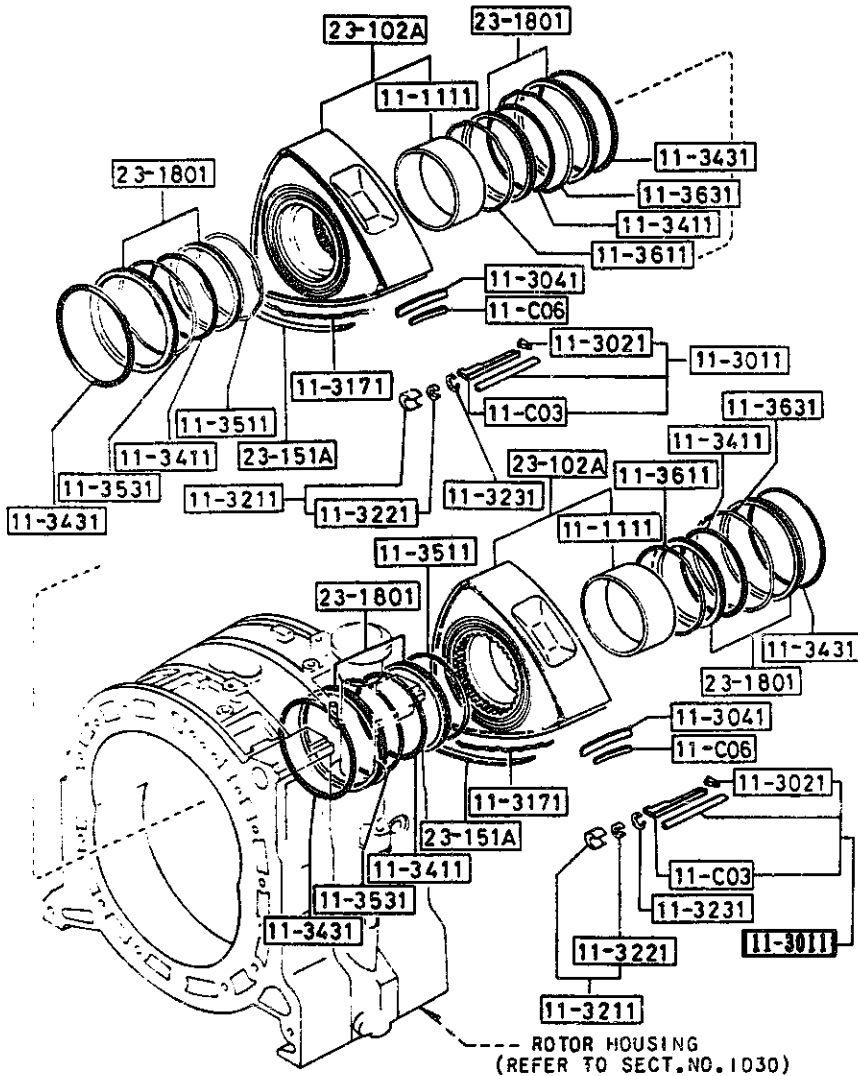
-9113  
9113-

9113 FC3MM-700067



1110 ROTORS & RELATED PARTS

1110 -2 \* ROTORS & RELATED PARTS



PART NO.	QTY	MODEL/RESTRICTION	MODEL/RESTRICTION	MODEL/RESTRICTION	FROM-TO
11-3531		SPRING, FRT.-OUTER			
1011-11-353A	2				
11-3611		SPRING, REAR-INNER			
N225-11-361	2				
11-3631		SPRING, REAR-OUTER			
1011-11-363A	2				
23-102A		ROTOR			
N3Y5-11-810	2	(W/O TURBO)			
N3Y8-11-810	2	(TURBO)			
23-151A		SEAL, SIDE			
N3Y1-11-C11	12	(TURBO)			
N3Y6-11-C11	12	(W/O TURBO)			
23-1801		SEAL SET, OIL			
8735-23-180	4	(TURBO)			
8871-23-180	4	(W/O TURBO)			

AUFA02

CAT. AUFA02-06

1992-05

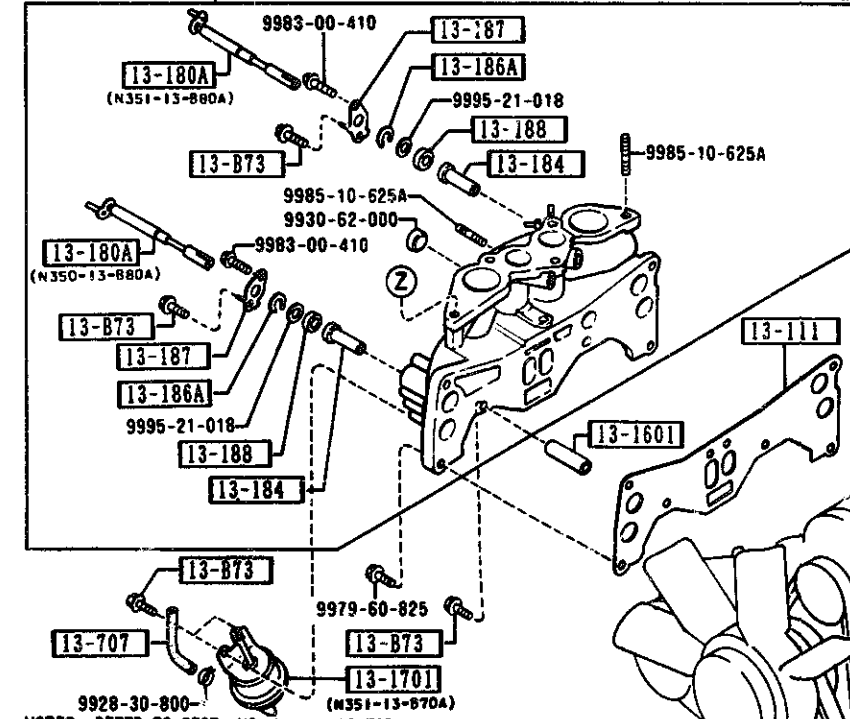
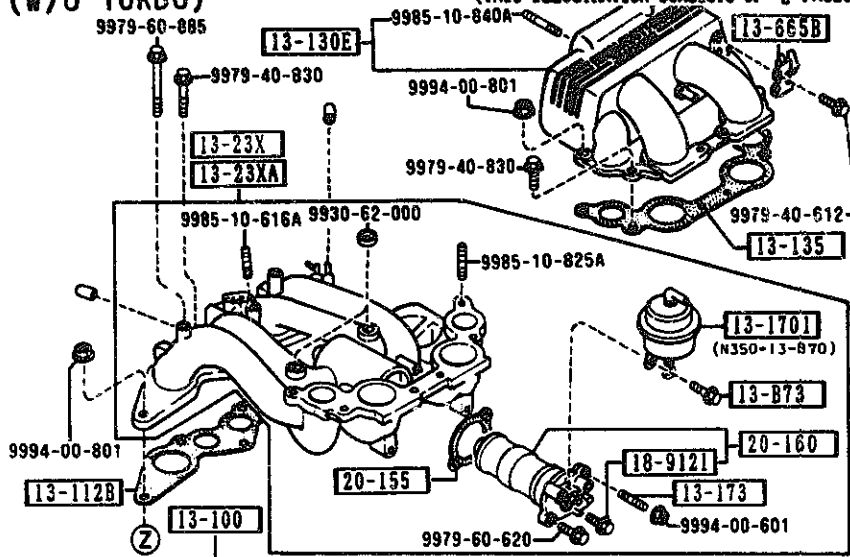
1-H 4

(W/O TURBO)

(THIS ILLUSTRATION CONSISTS OF 2 PAGES)

(TURBO)

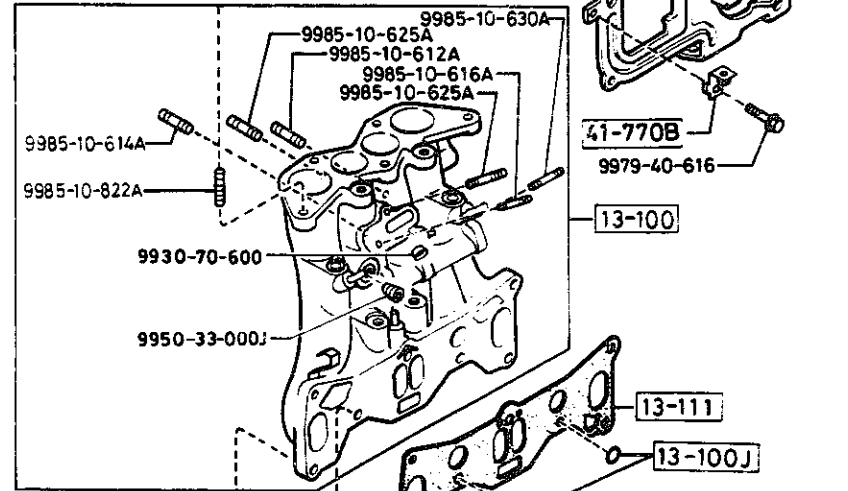
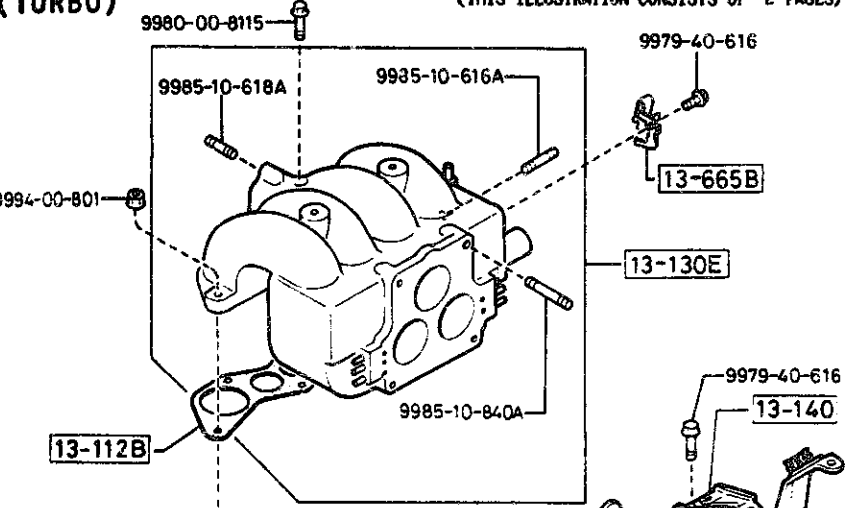
(THIS ILLUSTRATION CONSISTS OF 2 PAGES)



NOTES: REFER TO SECT. NO. 1399 AS FOR CAPS

AUFA02

(CONT'D)



NOTES: REFER TO SECT. NO. 1399 AS FOR CAPS

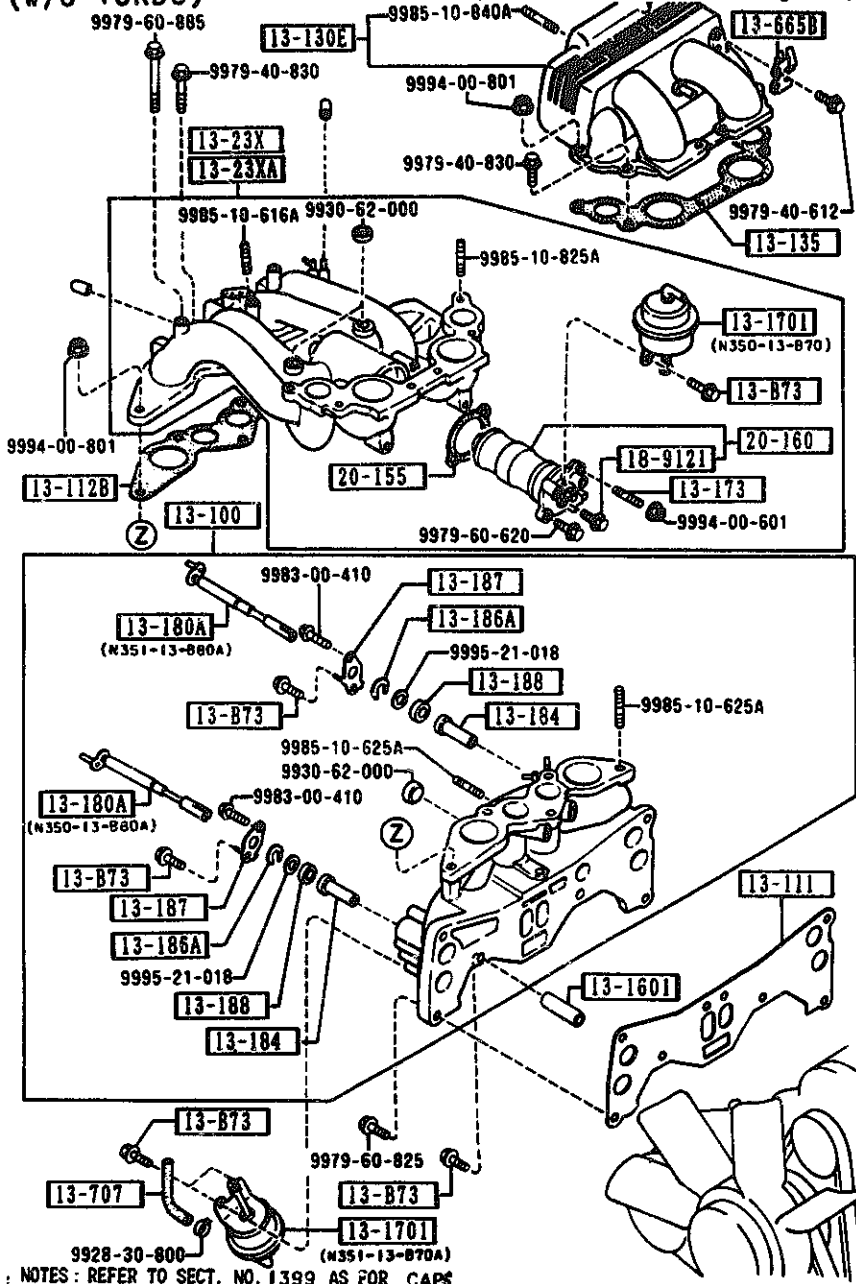
AUFA02

1300 INLET MANIFOLD

(1/2)

(W/O TURBO)

(THIS ILLUSTRATION CONSISTS OF 2 PAGES)



NOTES: REFER TO SECT. NO. 1399 AS FOR CAPS

1300 -1 INLET MANIFOLD

PART NO.	QTY	MODEL/RESTRICTION	MODEL/RESTRICTION	MODEL/RESTRICTION	FROM-TO
13-B73		BOLT, REAM-SHTR V. ACT			
N350-13-B73	2	UATOR (W/O TURBO)			
13-100		MANIFOLD, INLET			
N350-13-100A	1	(W/O TURBO)			
N370-13-100A	1	FED, (W/SUBU ZERO SYSTEM) (TURBO)			-9821
N372-13-100A	1	CALIF, (W/O SUBU ZERO SYSTE M) (TURBO)			-9821
N372-13-100A	1	(TURBO)			9821-
13-100J		RING, 'O'			
8527-13-113	2	(TURBO)			
13-111		GASKET, IN. MANIFOLD			
N350-13-111	1	ASBESTOS (W/O TURBO)			
N370-13-111	1	ASBESTOS (TURBO)			
13-112B		GASKET NO. 2, IN. MANI FOLD			
N350-13-112	1	ASBESTOS (W/O TURBO)			
N370-13-112	1	ASBESTOS (TURBO)			
13-130E		TANK, SURGE			
N350-13-130A	1	(W/O TURBO)			-9301
N370-13-130B AN(N370-13-130C)	1	(TURBO)			-9510
N350-13-130A	1	(W/O TURBO)			9301-
N370-13-130C	1	(TURBO)			9510-
13-135		GASKET			
N350-13-135	1	ASBESTOS (W/O TURBO)			
13-140		BRKT, SURGE TANK			
N370-13-140A (N370-13-140B)	1	(TURBO)			-9315

9301 FC3MNM-704194  
 9315 FC3MNM-704868  
 9510 FC3MNM-707178  
 9821 FC3MNM-801559

CAT. A/FA02-06

1992-05

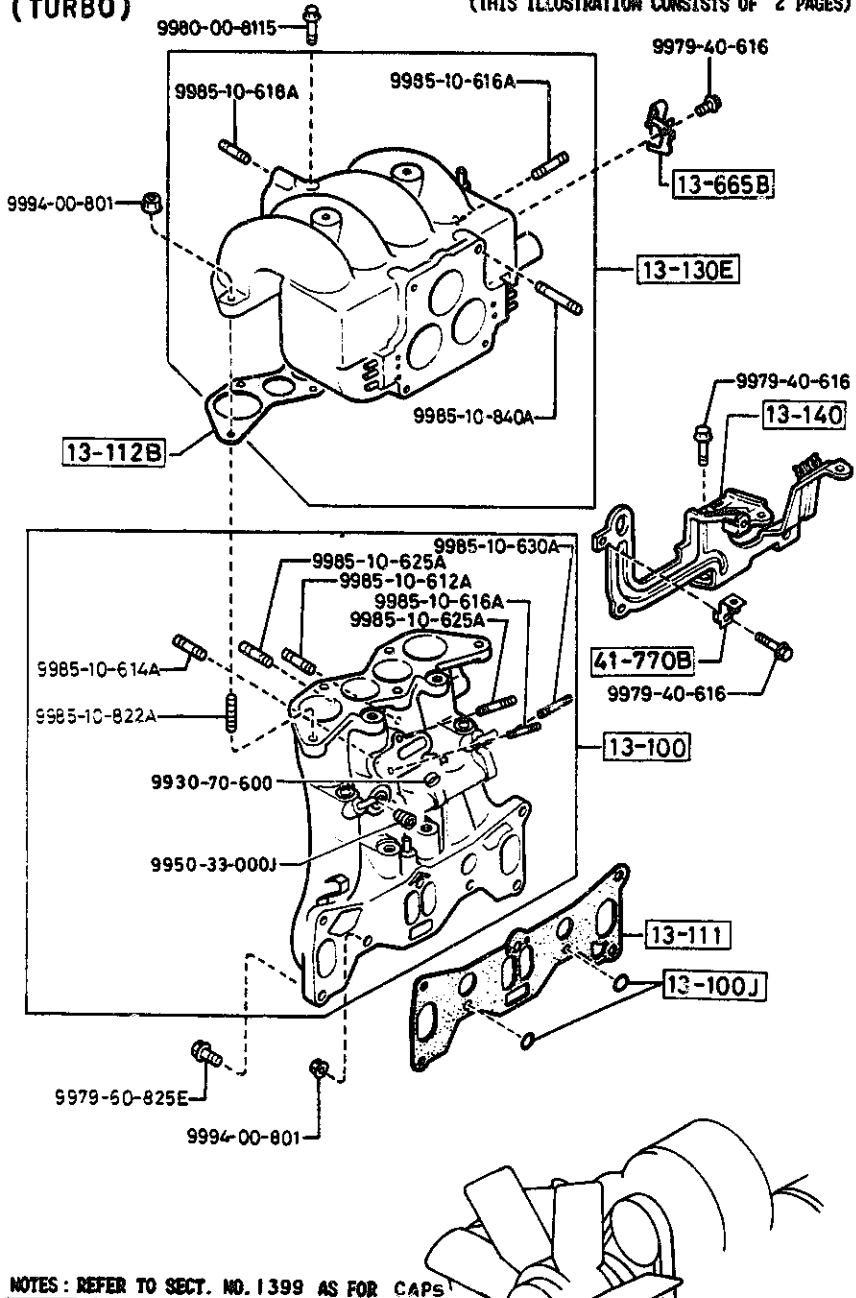
1-J 4

1300 INLET MANIFOLD

(2/2)

(TURBO)

(THIS ILLUSTRATION CONSISTS OF 2 PAGES)



1300 -2 INLET MANIFOLD

PART NO.	QTY	MODEL/RESTRICTION	MODEL/RESTRICTION	MODEL/RESTRICTION	FROM-TO
CONT'D					
N370-13-140B	1	(TURBO)			9315-
13-1601		VALVE, VARIABLE PORT			
N225-13-160A	2	(W/O TURBO)			
13-1701		ACTUATOR, A.P.V.			
N350-13-870	1	(W/O TURBO)			
N351-13-870A	2	(W/O TURBO)			
13-173		STUD			
N225-13-173A	1	(W/O TURBO)			
13-180A		SHAFT, V.P.V. CONTROL			
N350-13-880A	1	(W/O TURBO)			
N351-13-880A	1	(W/O TURBO)			
13-184		BUSH			
N225-13-184	2	(W/O TURBO)			
13-186A		PLATE, LOCATING			
N225-13-186	2	(W/O TURBO)			
13-187		COVER			
N350-13-887	2	(W/O TURBO)			
13-188		RUBBER, SEALING			
N225-13-188A	3	(W/O TURBO)			
13-23X		MANIFOLD, EXTENSION-I			
N352-13-23XA	1	N. MAN CALIF, (W/O SUBU ZERO SYSTEM) (W/O TURBO)			-9821
N352-13-23XA	1	(W/O TURBO)			9821-
13-23XA		MANIFOLD(R), EXTENSION			
N350-13-23XA	1	FED. (W/SUBU ZERO SYSTEM) (W/O TURBO)			-9821
13-665B		BRACKET, ACCEL WIRE			
N350-13-660	1	(W/O TURBO)			

9315 FC3MM-704868  
9821 FC3MM-801559

NOTES: REFER TO SECT. NO. 1399 AS FOR CAPS

AUFA02

CAT. AUFA02-06

1992-05

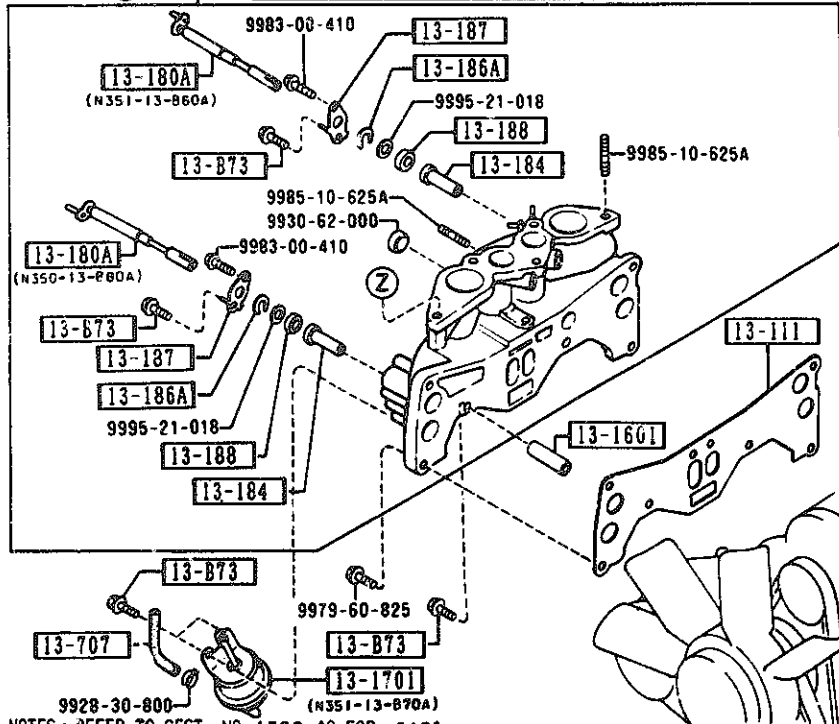
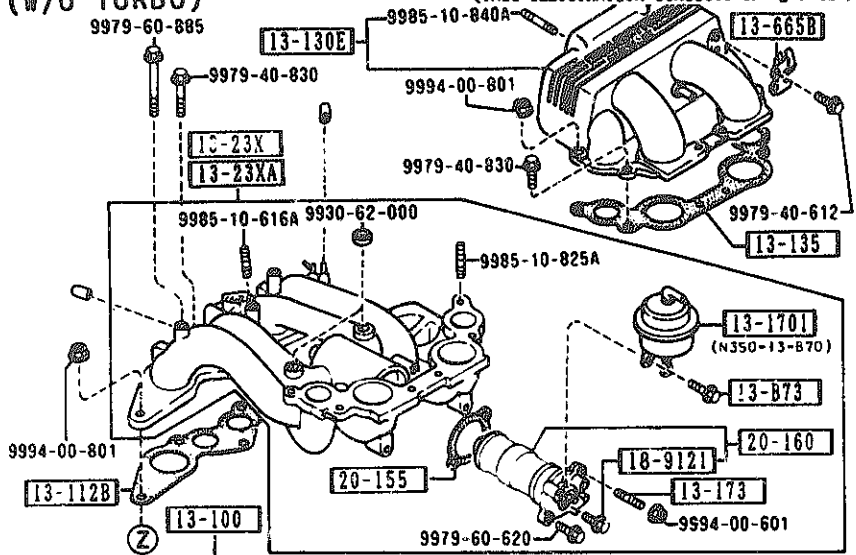
1-K 4

1300 INLET MANIFOLD

(1/2)

(W/O TURBO)

(THIS ILLUSTRATION CONSISTS OF 2 PAGES)



NOTES: REFER TO SECT. NO. 1399 AS FOR CAPS

AUFA02

(CONT'D)

1300 -3 # INLET MANIFOLD

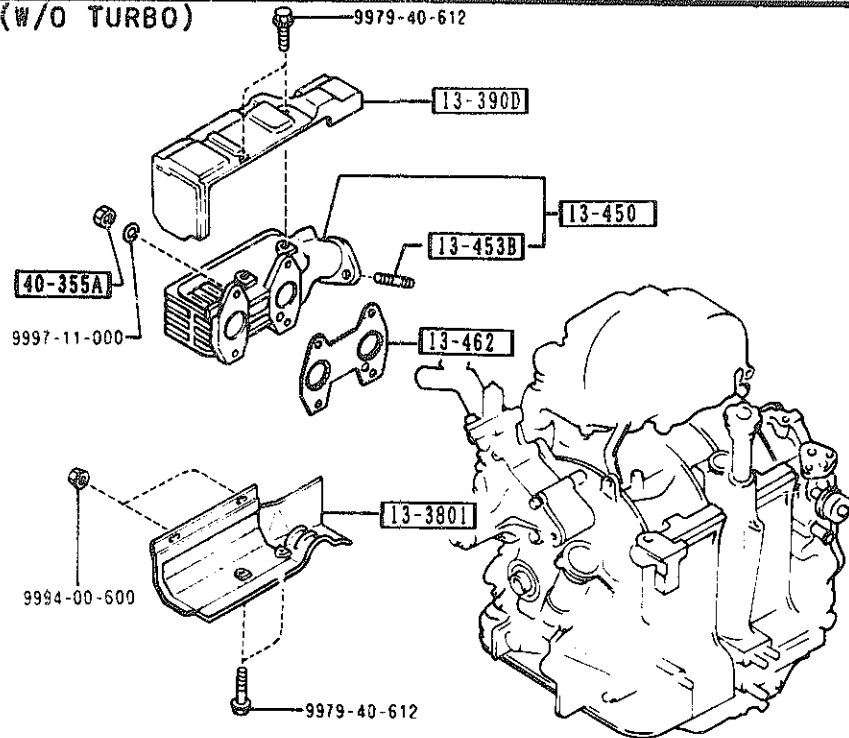
PART NO.	QTY	MODEL/RESTRICTION	MODEL/RESTRICTION	MODEL/RESTRICTION	FROM-TO
CONT'D N370-13-660A	1	(TURBO)			
13-707		HOSE, AIR			
N350-13-896	2	(W/O TURBO)			
18-9121		BOLT			
N304-18-912	2	(W/O TURBO)			
20-155		GASKET, SHUTTER VALVE			
N350-20-155	1	(W/O TURBO)			
20-160		VALVE, SHUTTER-MANIFOLD			
N350-20-160	1	(W/O TURBO)			
41-770B		BRACKET, ACCEL. WIRE-SURG. T			
FB44-41-770A	1	(TURBO)			

CAT. AUFA02-66

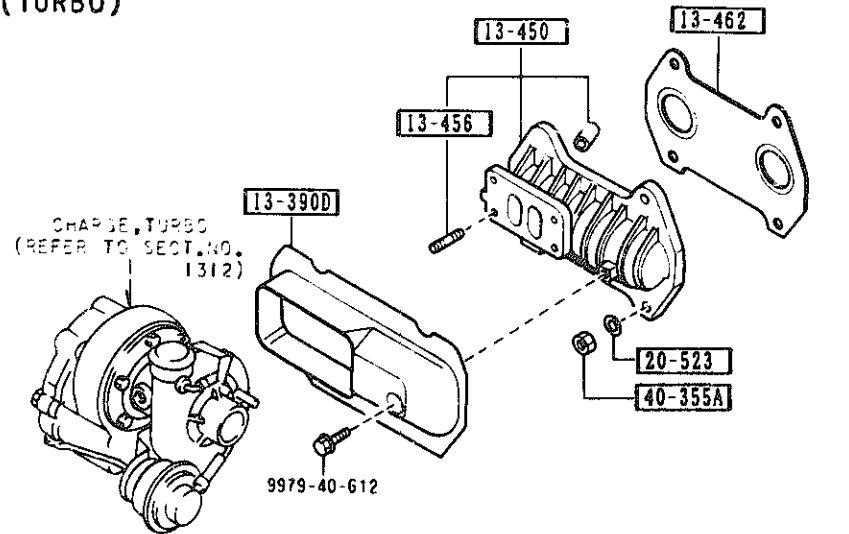
1992-05

1310 EXHAUST MANIFOLD

(W/O TURBO)



(TURBO)



PART NO.	QTY	MODEL/RESTRICTION	MODEL/RESTRICTION	MODEL/RESTRICTION	FROM-TO
13-3801 N326-13-C80A	1	PLATE, ABSORBER (W/O TURBO)			
13-390D N326-13-390B	1	INSULATOR, EX. MANIFOLD (W/O TURBO)			
13-450 N370-13-390 AN(N370-13-390A)	1	(TURBO)			-9510
13-450 N350-13-450	1	MANIFOLD, EXHAUST (W/O TURBO)			9510-
13-450 N370-13-450B	1	(TURBO)			
13-453B N326-40-353	2	STUD (W/O TURBO)			
13-456 N318-13-456	4	STUD (TURBO)			-9601
13-456 N370-13-456	4	(TURBO)			9601-
13-462 N318-13-461	1	GASKET, EX. MANIFOLD ASBESTOS (TURBO)			
13-462 N350-13-461	1	ASBESTOS (W/O TURBO)			
20-523 E508-20-523	4	WASHER, PLAIN (TURBO)			
40-355A 2158-40-355	4	NUT			

9510 FC3HHH-707178  
9601 FC3HHH-708021

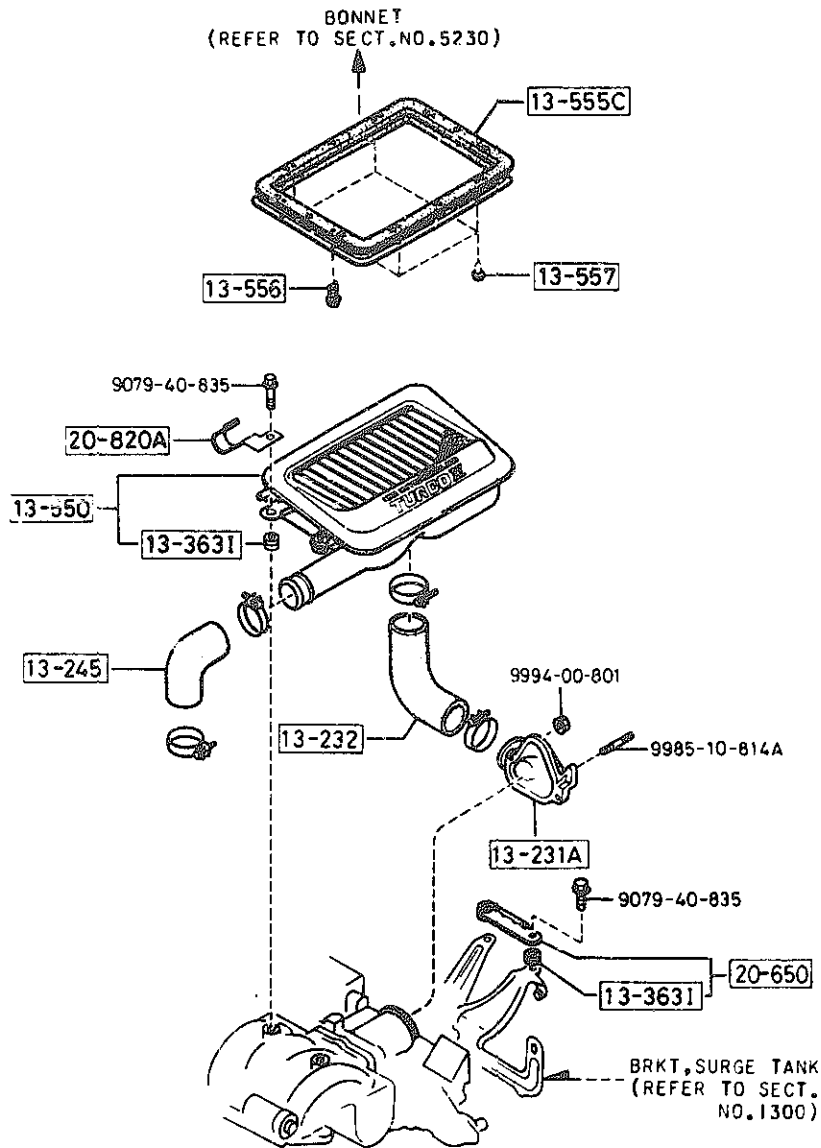
AUFA02

CAT. AUFA02-06

1992-05

1311 INTER COOLER  
(TURBO)

1311 -1 N INTER COOLER  
(TURBO)



PART NO.	QTY	MODEL/RESTRICTION	MOD'L/RESTRICTION	MODEL/RESTRICTION	FROM-TO
13-231A		PIPE, AIR			
N370-13-332	1				
13-232		SEAL, RUBBER			
N318-13-246G	1				
13-245		JOINT, RUBBER			
N370-13-245	1				
13-363I		RUBBER, INSULATION			
N318-13-363	4				
13-550		CHARGE, AIR COOLER			
N370-13-550	1				
13-555C		RUBBER, SEAL-INTER COOLER			
N318-13-555A	1				
13-556		SCREW, SEAL RUBBER-INT. CLR			
N319-13-556A	4				
13-557		CLIP, SEAL RUBBER-INT. CLR			
N318-13-557	4				
20-650		BRACKET, INTER COOLER			
N318-13-56X	1				
20-820A		CLIP, WATER HOSE-BY.A.C.V.			
N318-20-820	1				

## SECTION NAME INDEX (ENGINE)

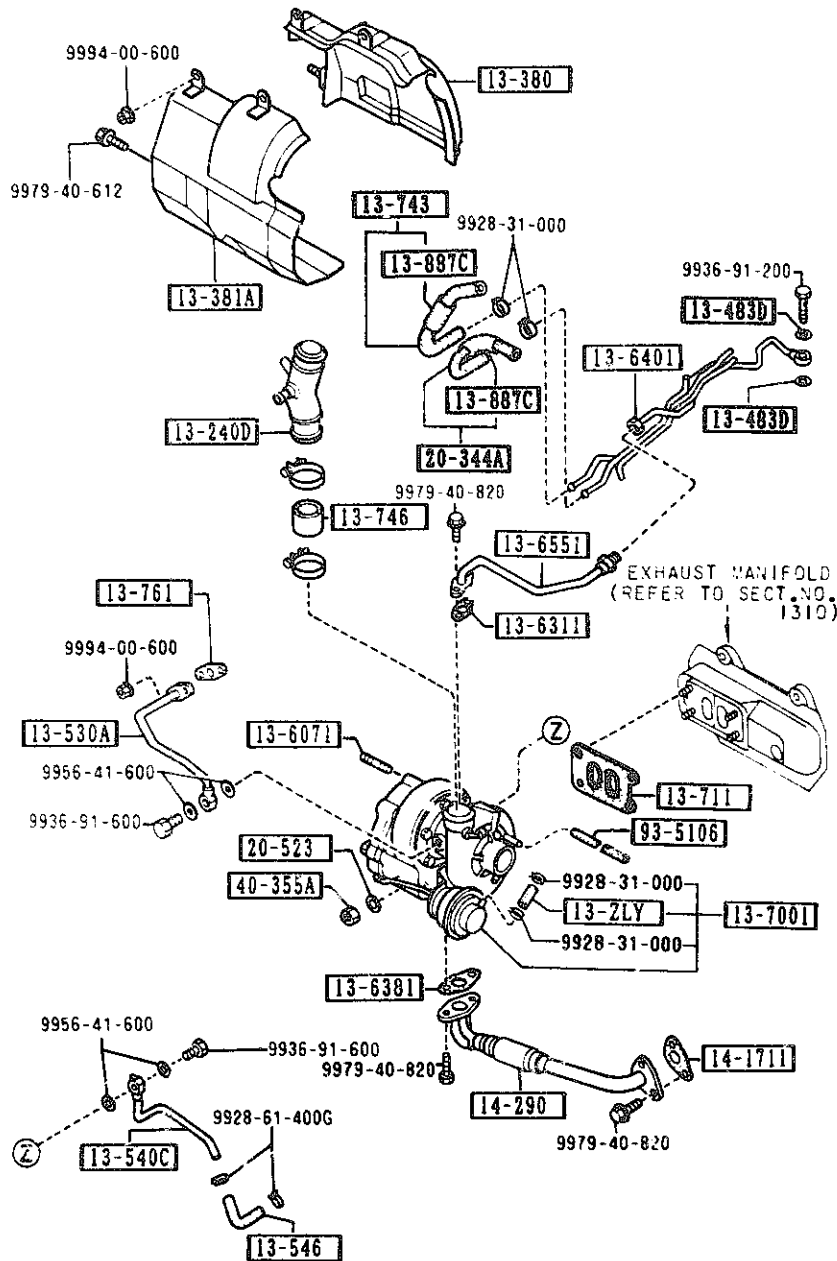
LD.NO	SEC.NO	SECTION NAME	LD.NO	SEC.NO	SECTION NAME	LD.NO	SEC.NO	SECTION NAME
1-C03	1000	SHORT ENGINE & GASKET SETS (W/O TURBO)	1-G11	1840	STARTER			
1-D03	1000 A	SHORT ENGINE & GASKET SETS (TURBO)	1-J11	1850	BATTERY			
1-E03	1030	ROTOR HOUSINGS (W/O TURBO)	1-K11	1910	TORQUE CONVERTER, OIL PUMP & PI PINGS (AUTOMATIC)			
1-G03	1030 A	ROTOR HOUSINGS (TURBO)	1-N11	1920	TRANSMISSION CASE & MAIN CONTR OL SYSTEM (AUTOMATIC)			
1-J03	1040	OIL PAN, FRONT & REAR HOUSING (W/O TURBO)	1-I12	1925	CONTROL VALVE (AUTOMATIC)			
1-M03	1040 A	OIL PAN, FRONT & REAR HOUSING (TURBO)	1-D13	1930	CLUTCHES & PLANETARY GEARS (AU TOMATIC)			
1-D04	1100	ECCENTRIC SHAFT & FLYWHEEL	1-L13	1940	GOVERNOR, LOW & REVERSE PISTON (AUTOMATIC)			
1-G04	1110	ROTORS & RELATED PARTS	1-C14	1950	MANUAL LINKAGE SYSTEM (AUTOMAT IC)			
1-I04	1300	INLET MANIFOLD	1-E14	1960	GASKET & SEAL KIT (AUTOMATIC)			
1-M04	1310	EXHAUST MANIFOLD						
1-N04	1311	INTER COOLER (TURBO)						
1-C05	1312	TURBO CHARGER (TURBO)						
1-F05	1320	FUEL SYSTEM						
1-H05	1325	FUEL DISTRIBUTOR						
1-I05	1330	AIR CLEANER						
1-M05	1350	STARTING ASSIST SYSTEM						
1-N05	1364	THROTTLE BODY						
1-F06	1371	AIR PUMP & AIR CONTROL VALVE						
1-I06	1380	EMISSION CONTROL SYSTEM						
1-D07	1399	CAP & HOSE CLIP (INLET & EXHAU ST SIDE)						
1-F07	1400	OIL PUMP & FILTER (W/O TURBO)						
1-I07	1400 A	OIL PUMP & FILTER (TURBO)						
1-M07	1500	COOLING SYSTEM						
1-F08	1580	BRACKET, PULLEY & BELT						
1-C09	1600	CLUTCH DISC & COVER (MANUAL)						
1-F09	1700	TRANSMISSION CASE (MANUAL)						
1-J09	1710	TRANSMISSION GEARS (MANUAL)						
1-H10	1720	CHANGE CONTROL SYSTEM (MANUAL)						
1-M10	1800	ENGINE ELECTRICAL SYSTEM						
1-E11	1830	ALTERNATOR						





1312 TURBO CHARGER  
(TURBO)

1312 -1 TURBO CHARGER  
(TURBO)



PART NO.	QTY	MODEL/RESTRICTION	MODEL/RESTRICTION	MODEL/RESTRICTION	FROM TO
13-2LY	1	TUBE, VACUUM-TURBO CHARGER			
N370-13-2LY					
13-240D	1	PIPE, AIR INTAKE-INT. COOLE			
N370-13-24X					
13-380	1	INSULATOR, HEAT NON ASBESTOS			
N370-13-38XA					
13-381A	1	INSULATOR, HEAT NON ASBESTOS			
N370-13-380B					
13-483D	2	GASKET NON ASBESTOS			
N236-13-483					
13-530A	1	PIPE, WATER IN -TURBO CHARGER			
N319-13-530A					
13-540C	1	PIPE, WATER OUT -TURBO CHARGER			
N370-13-540					
13-546	1	HOSE, WATER-T/C WATER -PIPE (TURBO)			
N318-13-546					
13-6071	3	STUD			
N253-13-607A					
N370-13-708	3				-9601
13-6311	1	GASKET, OIL PIPE ASBESTOS			9601-
N236-13-631					
13-6381	1	GASKET, OIL PIPE ASBESTOS			
N236-13-638					
13-6401	1	PIPE, OIL INLET			
N370-14-270A (N370-14-270B)	1				-9113
N370-14-270B	1				9113-
9113 FCS***-700067					
9601 FCS***-708021					

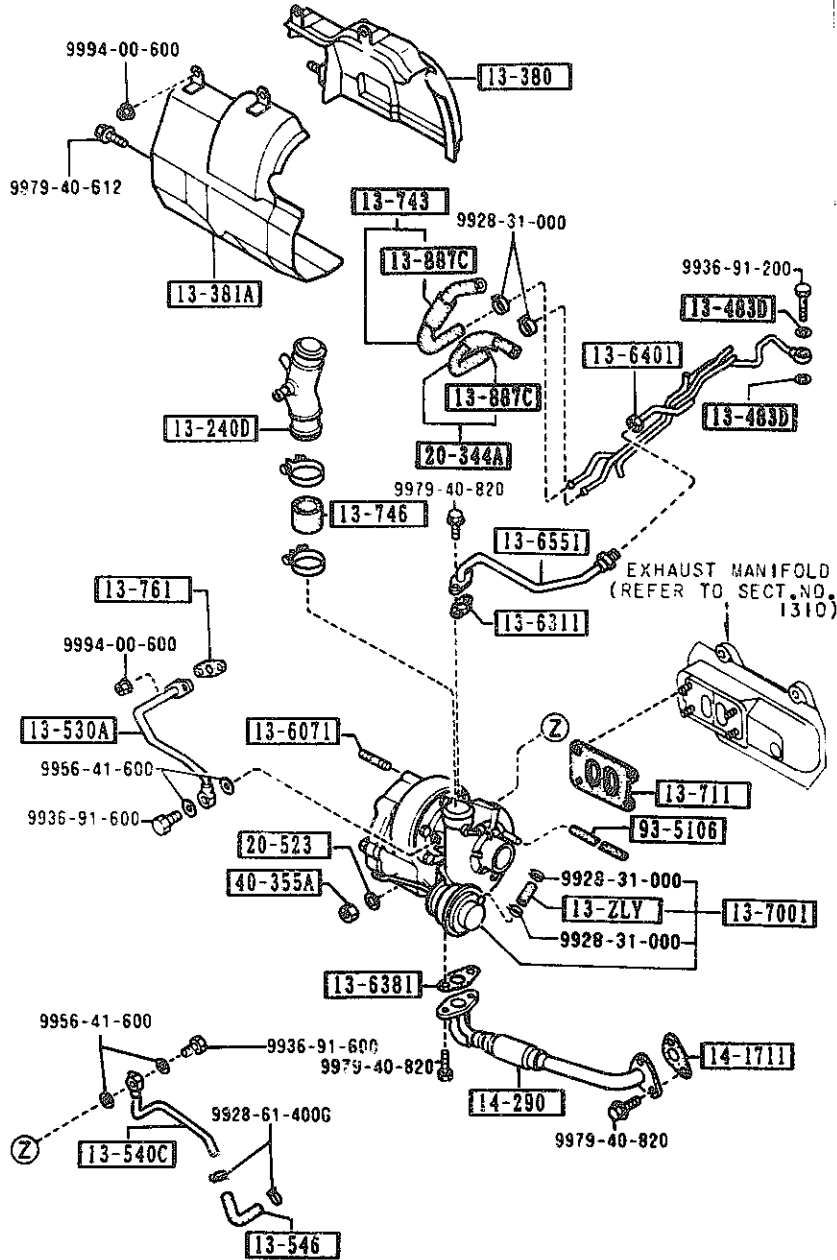
\* NOTES: REFER TO SECT. NO. 1399 AS FOR HOSE CLIPS.

AUFA02

CAT. AUFA02-06

1992-05

1312 TURBO CHARGER (TURBO)



1312 -2 TURBO CHARGER (TURBO)

PART NO.	QTY	MODEL/RESTRICTION	MODEL/RESTRICTION	MODEL/RESTRICTION	FROM-TO
13-6551		PIPE, OIL INLET			
N370-14-280A	1				
13-7001		CHARGER, TURBO			
N370-13-700	1				
13-711		GASKET, TURBO CHARGER			
N370-13-710		ASBESTOS			-9113
A (N370-13-710A)	1				
N370-13-710A	1	NON ASBESTOS			9113-
13-743		HOSE, VENTILATION			
N370-13-74Y	1				-9401
A (N370-13-74YA)					
N370-13-74YA	1				9401-
13-746		JOINT, RUBBER			
N236-13-746A	1				
13-761		GASKET			
N318-13-164A	1	ASBESTOS			
13-887C		PROTECTOR, SPONGE			
N370-13-886	2				
13-711		GASKET, OIL STRAINER			
N370-14-293		ASBESTOS			-9205
A (N370-14-293A)	1				
N370-14-293A	1	ASBESTOS			9205-
14-290		PIPE, OIL			
N370-14-290A	1				-9205
A (N370-14-290B)					
N370-14-290B	1				9205-
20-344A		HOSE, AIR-A.C.V. & VAC.			
N370-20-344A	1	PIPE			-9401
N370-20-344B	1				9401-

9113 FC3\*\*\*-700067  
 9205 FC3\*\*\*-702390  
 9401 FC3\*\*\*-705390

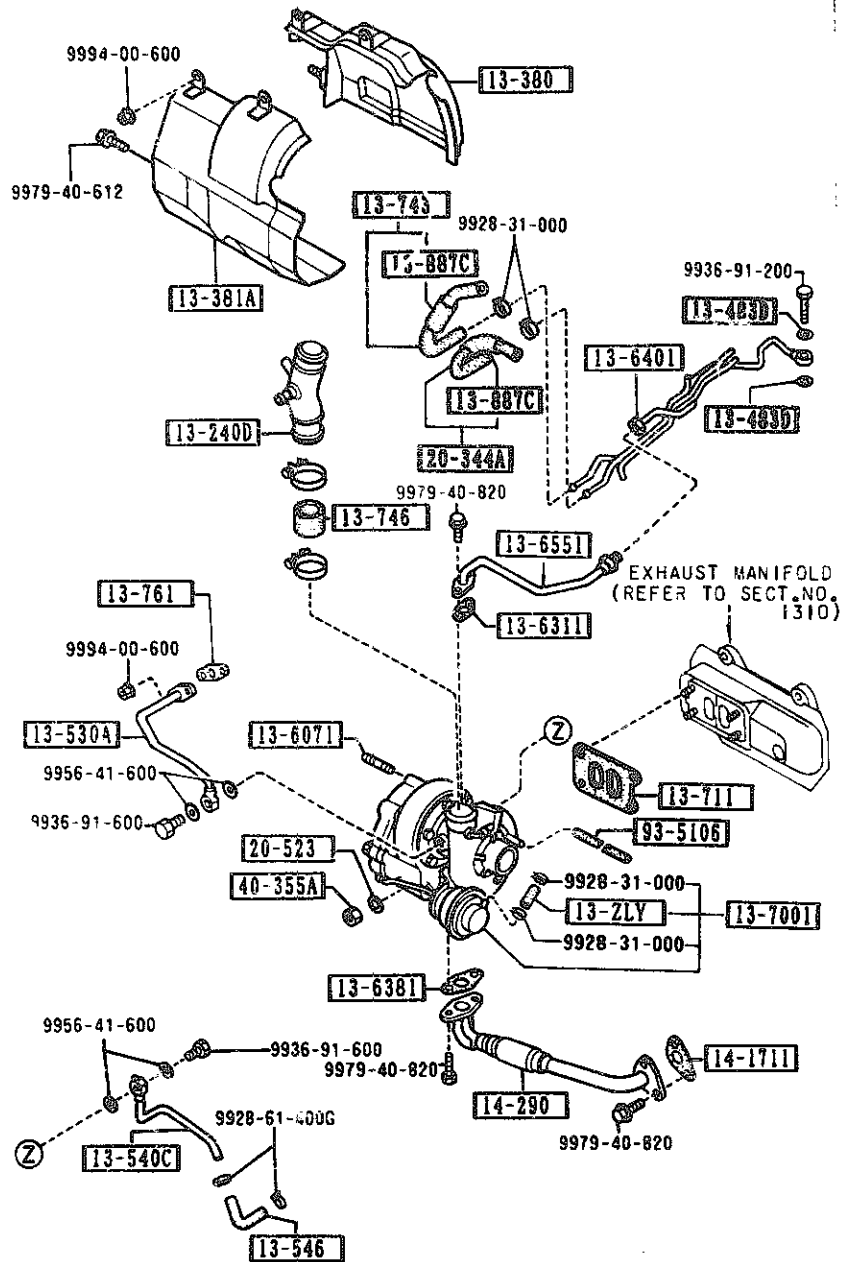
\* NOTES: REFER TO SECT. NO. 1399 AS FOR HOSE CLIPS.

AUFA02

CAT. AUFA02-06

1992-05

1312 TURBO CHARGER  
(TURBO)



1312 -3 \* TURBO CHARGER  
(TURBO)

PART NO.	QTY	MODEL/RESTRICTION	MODEL/RESTRICTION	MODEL/RESTRICTION	FROM-TO
20-523		WASHER, PLAIN			
E508-20-523	4				
40-355A		NUT			
8134-40-355	4				
93-5106		HOSE			
99351-06999	1				

EXHAUST MANIFOLD  
(REFER TO SECT. NO. 1310)

\* NOTES: REFER TO SECT. NO. 1399 AS FOR WIRE CLIPS.

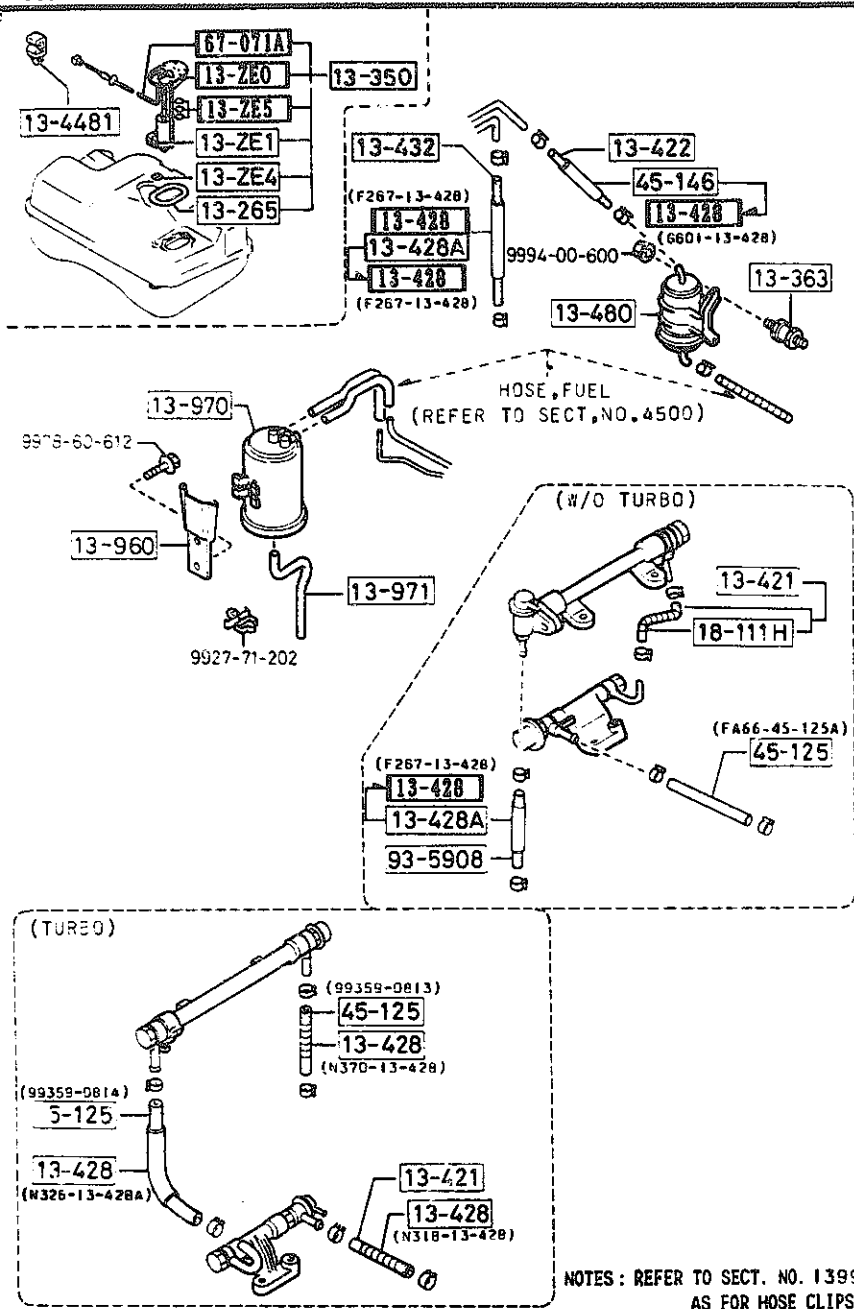
AUFA02

CAT. AUFA02-06

1992-05

1320 FUEL SYSTEM

1320 -1 FUEL SYSTEM

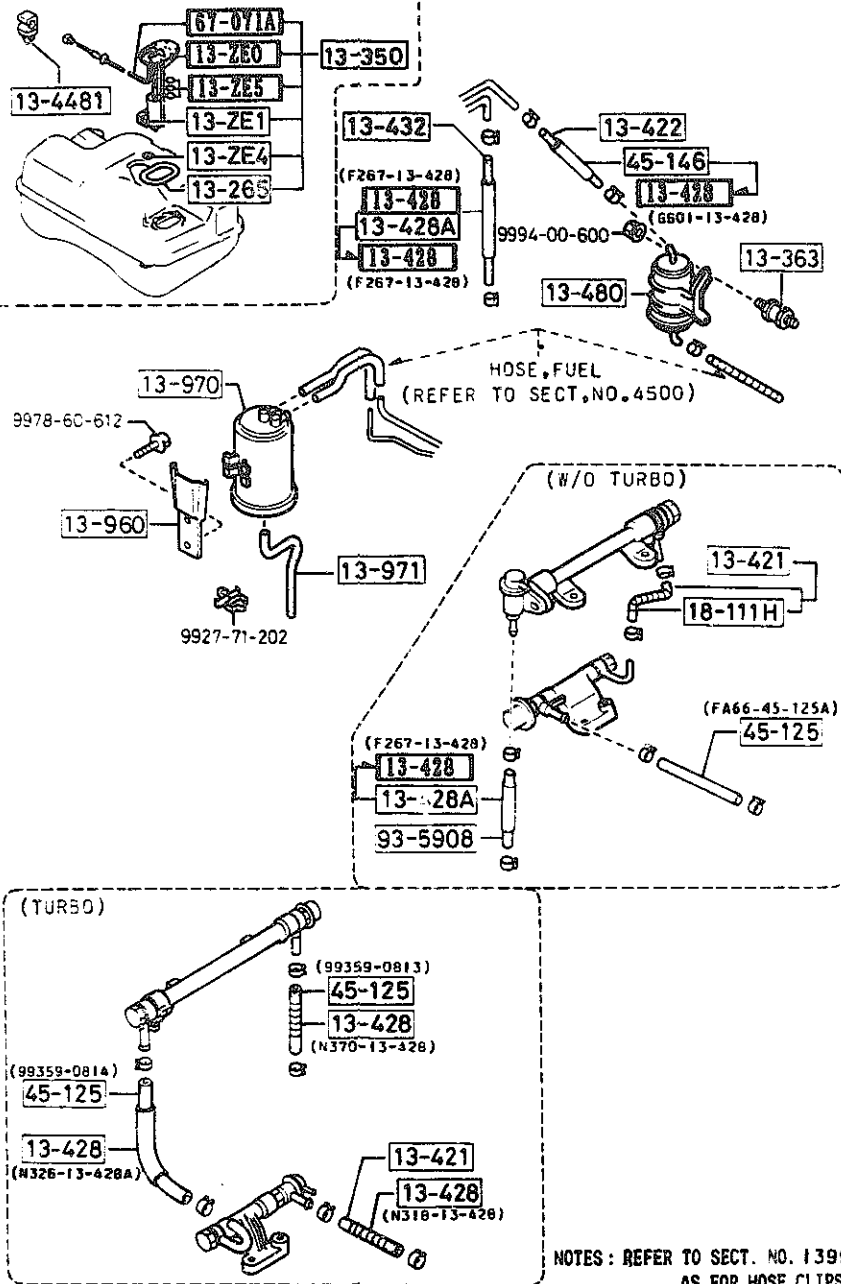


PART NO.	QTY	MODEL/RESTRICTION	MODEL/RESTRICTION	MODEL/RESTRICTION	FROM-TO
13-ZE0		PUMP, FUEL			
N350-13-350	1	(W/O TURBO)			
N380-13-350A		ASBESTOS			
A (N380-13-350B)	1				-0601
N380-13-350B	1	NON ASBESTOS (TURBO)			0601-
13-ZE1		FILTER, FUEL PUMP			
N327-13-ZE1	1				
13-ZE4		WASHER, LOCK-PUMP FILTER DENSO			
FEH2-13-ZE4	1				
13-ZE5		RING, 'O'-FUEL PUMP			
BP02-13-ZE5	1				
13-265		GASKET			
FC01-60-962	1				
13-350		PUMP, FUEL			
N351-13-352B	1	(W/O TURBO)			
N370-13-352B	1	(TURBO)			
13-363		RUBBER, INSULATION			
N236-13-363	2				
13-421		HOSE, FUEL MAIN			
N318-13-498	1	(TURBO)			
13-422		HOSE, FUEL RETURN			
B574-13-422	1				
13-428		PROTECTOR			
N318-13-428	1	(TURBO)			
N326-13-428A	1	(TURBO)			
N370-13-428	1	(TURBO)			
F267-13-428	2	(W/O TURBO)			9303-
G601-13-428	1				9301-
9301		FC3MKK-706194			
0601		FC3RHK-806965			

NOTES: REFER TO SECT. NO. 1399 AS FOR HOSE CLIPS.

1320 -2 FUEL SYSTEM

1320 FUEL SYSTEM



NOTES: REFER TO SECT. NO. 1399 AS FOR HOSE CLIPS.

PART NO.	QTY	MODEL/RESTRICTION	MODEL/RESTRICTION	MODEL/RESTRICTION	FPM-TD
13-428A		PROTECTOR			
FE87-13-428	2	(W/O TURBO)			-9301
13-432		HOSE, FUEL			
NS26-13-431B	1	(W/O TURBO)			
13-4481		CLIP			
NS26-20-811	1				
13-480		FILTER, FUEL			
NS26-20-490	1				
13-960		BRACKET, CANISTER			
NS26-13-961A	1				
13-970		CANISTER			
NS26-13-970	1				
13-971		HOSE, VENTILATION			
NS26-13-971	1				
18-111H		SUPPORTER			
0823-18-111	1				
45-125		HOSE, FUEL			
FA66-45-125A	1	(W/O TURBO)			
99359-0813	1	(TURBO)			
99359-0814	1	(TURBO)			
45-146		PROTECTOR, FUEL HOSE			
8116-45-146	1				-9301
67-071A		CORD			
NS351-67-071A	1				
93-5908		HOSE			
99359-0822	1	(W/O TURBO)			

9301 FC3MM-704194

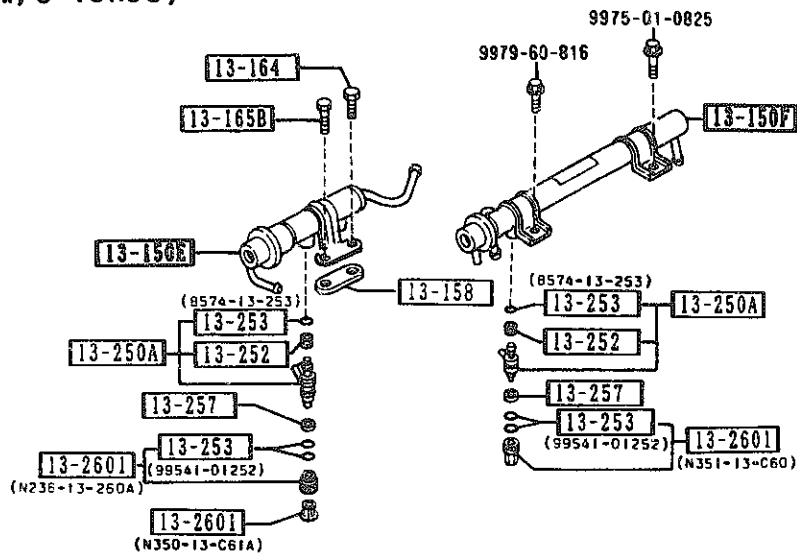
AUFA02

CAT. AUFA02-06

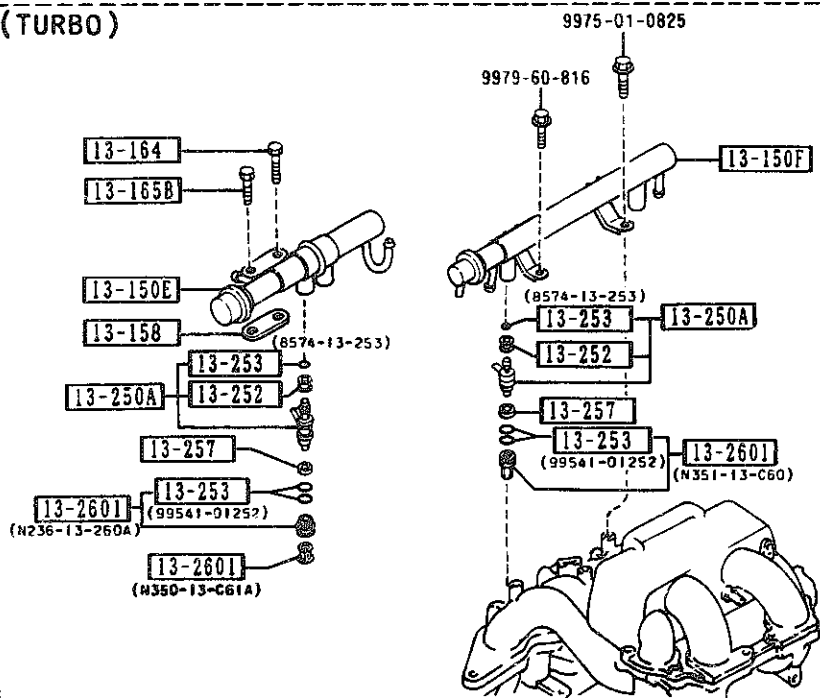
1992-05

1325 FUEL DISTRIBUTOR

(W/O TURBO)



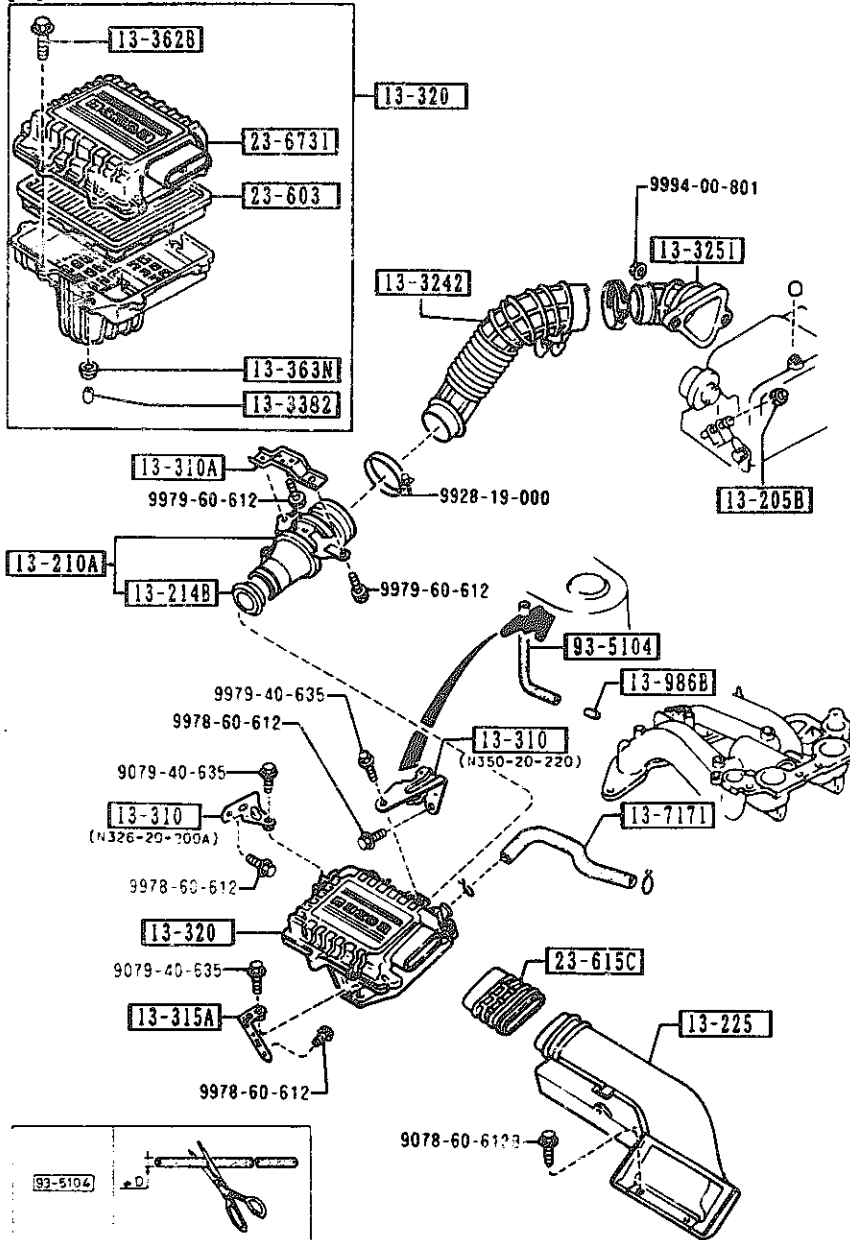
(TURBO)



PART NO.	QTY	MODEL/RESTRICTION	MODEL/RESTRICTION	MODEL/RESTRICTION	FPOM-TO
13-150E		DISTRIBUTOR(P), FUEL			
N350-13-150	1	(W/O TURBO)			
N370-13-150	1	(TURBO)			
13-150F		DISTRIBUTOR(S), FUEL			
N351-13-150	1	(W/O TURBO)			
N371-13-150	1	(TURBO)			
13-158		INSULATOR, FUEL DIST.			
N326-13-158	1				
13-164		BOLT, FUEL DISTRIBUTOR			
N350-13-164	1				
13-165B		BOLT, FUEL DIST. REAR SIDE			
N350-13-165	1				
13-250A		INJECTION, FUEL-M.P.E. LECT.			
N350-13-250	4	(W/O TURBO)			
N370-13-250	4	(TURBO)			
13-252		GROMMET			
8574-13-252	4				
13-253		RING, 'O'			
8574-13-253	4				
99541-01252	8				
13-257		INSULATOR, INJECTION			
N350-13-257	4				
13-2601		SOCKET, AIR BLEED			
N351-13-C60	2				
N350-13-C61A	2				
N236-13-260A	2				

(THIS ILLUSTRATION CONSISTS OF 2 PAGES)

(W/O TURBO)

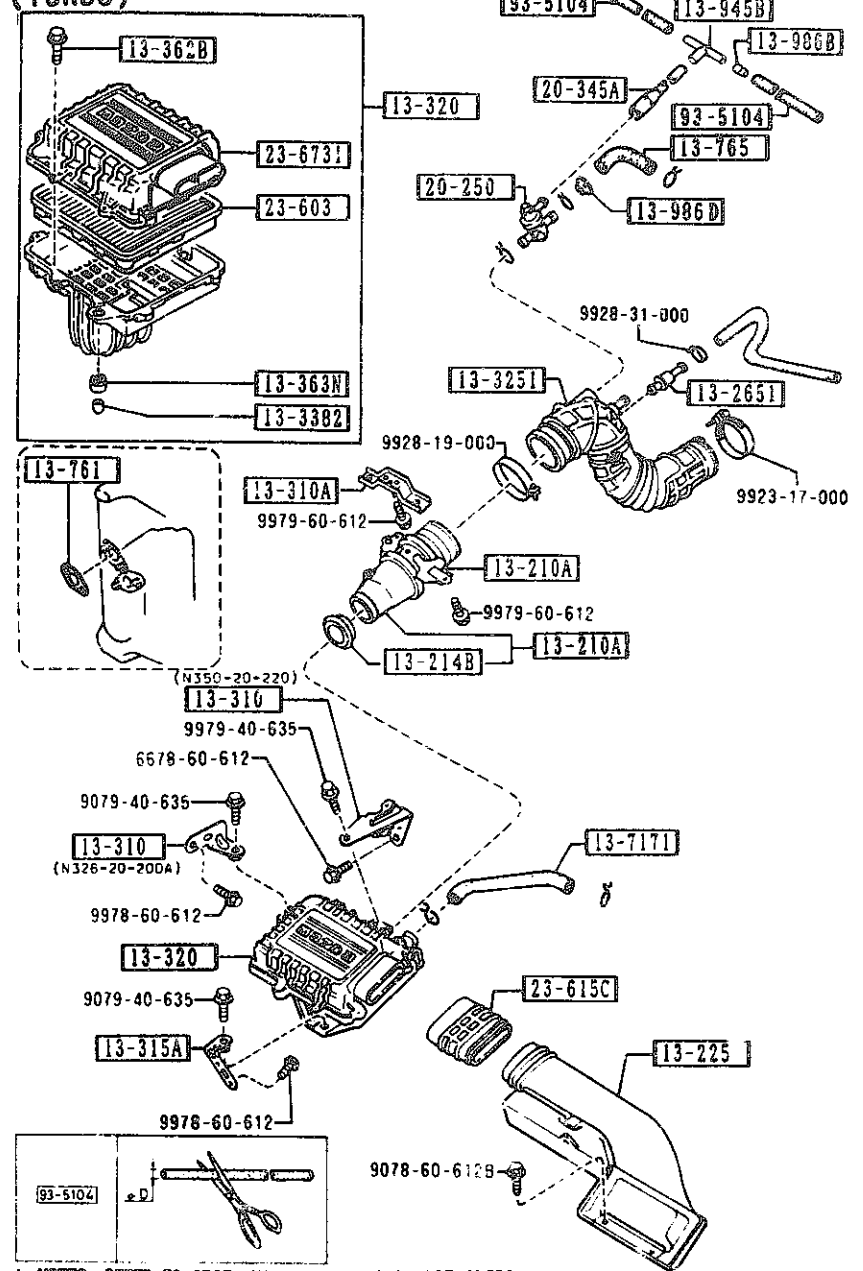


\* NOTES: REFER TO SECT. NO. 1399 AS FOR HOSE CLIPS.

AUFA02

(THIS ILLUSTRATION CONSISTS OF 2 PAGES)

(TURBO)



\* NOTES: REFER TO SECT. NO. 1399 AS FOR HOSE CLIPS.

AUFA02

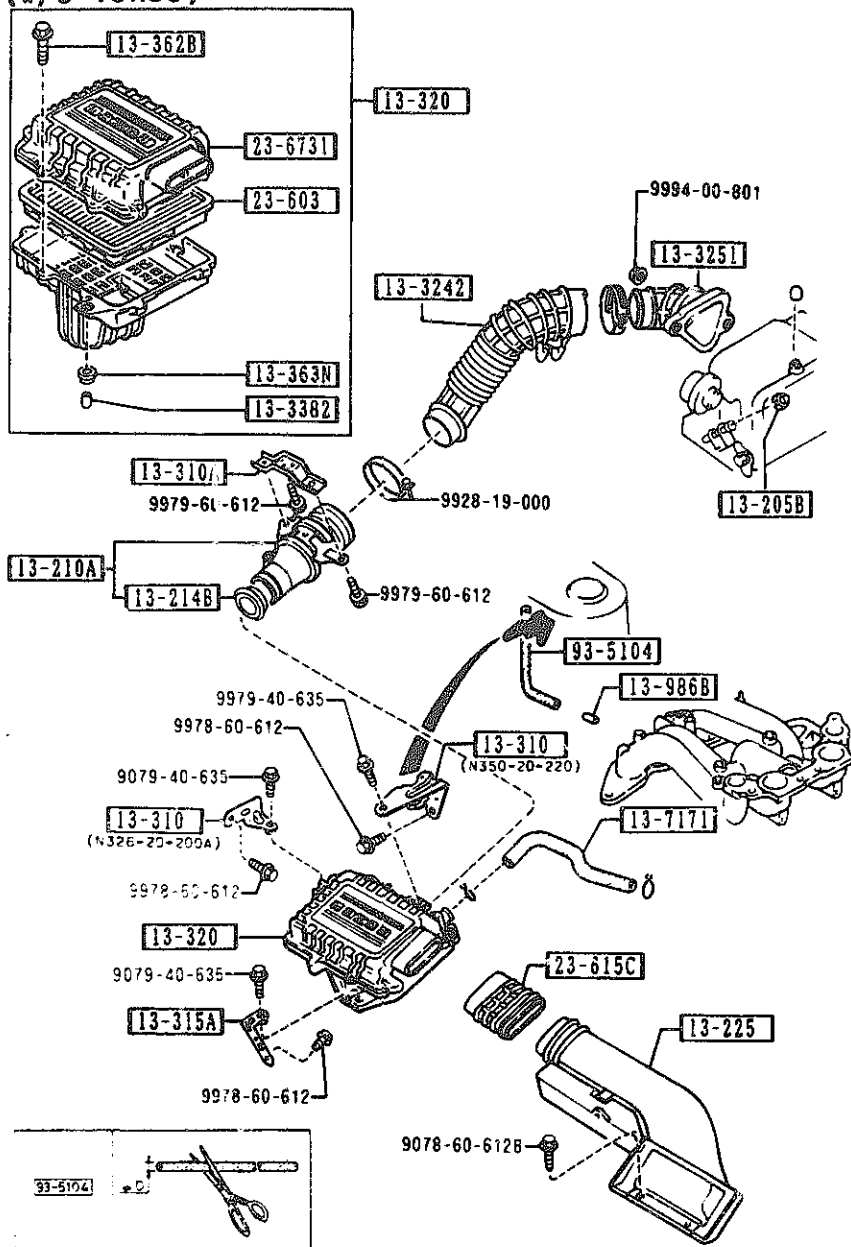
(CONT'D)

1330 AIR CLEANER

(1/2)

(W/O TURBO)

(THIS ILLUSTRATION CONSISTS OF 2 PAGES)



PART NO.	QTY	MODEL/RESTRICTION	MODEL/RESTRICTION	MODEL/RESTRICTION	FROM-TO
13-205B		CAP, IDLE SWITCH			
1481-13-205C	1	(W/O TURBO)			
13-210A		SENSOR, AIR FLOW			
N350-13-210	1	(W/O TURBO)			
N370-13-210	1	(TURBO)			
13-214B		GROMMET, AIR FLOW METER			
N350-13-214	1				
13-225		DUCT, FRESH AIR			
N350-13-201	1				
13-2651		VALVE, CHECK			
N236-13-265	1	(TURBO)			
13-310		BRACKET, AIR CLEANER			
N326-20-200A	1				
N350-20-220	1				
13-310A		BRKT, AIR FLOW METER			
N350-13-310	1				
13-315A		BRACKET, AIR CLEANER			
N326-20-210A	1				
13-320		HOUSING, AIR CLEANER			
N350-13-320	1				
13-3242		HOSE, AIR INTAKE			
N350-13-222	1	(W/O TURBO)			
13-3251		DUCT, AIR			
N370-13-220	1	(TURBO)			
N326-13-221A	1	(W/O TURBO)			
13-3382		SPACER			
FE51-13-329	3				
13-362B		SCREW			

\* NOTES: REFER TO SECT. NO. 1399 AS FOR HOSE CLIPS.

AUFA02

(CONT'D)

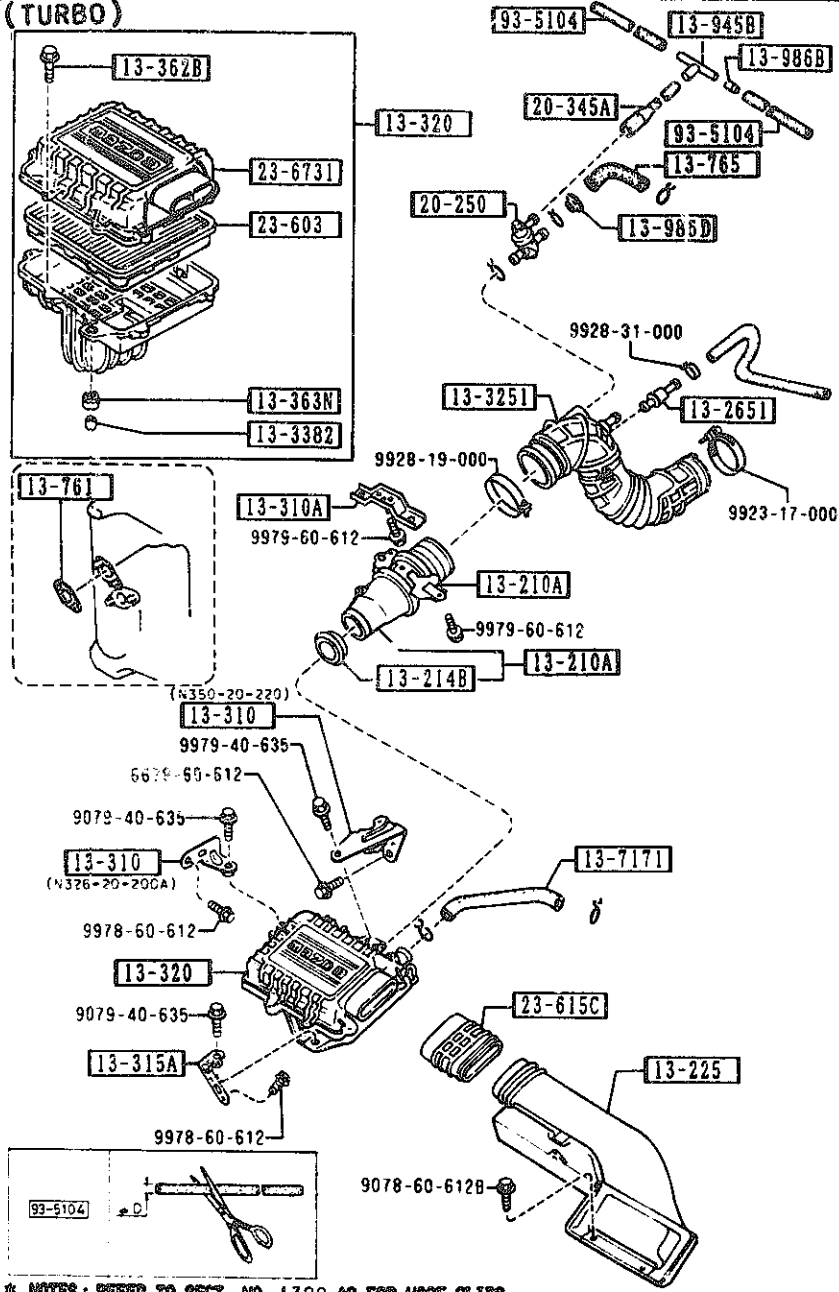
CAT. AUFA02-06

1992-05

1-J 5



(TURBO)



PART NO.	QTY	MODEL/RESTRICTION	MODEL/RESTRICTION	MODEL/RESTRICTION	FROM-TO
CONT'D					
N326-13-234A	8				
13-363N		RUBBER, MOUNTING			
FE51-13-363	3				
13-7171		HOSE, AIR			
N350-20-751	1	(W/O TURBO)			
N370-20-751	1	(TURBO)			
13-761		GASKET			
N318-13-164A	1	ASBESTOS (TURBO)			
13-765		HOSE, AIR-A.B.S.V.&SU			
N370-13-765	1	(TURBO)			
13-945B		CONNECTOR			
1700-13-945A	1	(TURBO)			
13-986B		ORIFICE			
8931-13-986	1	D=0.5 BLACK			
13-986D		ORIFICE			
N370-13-986	1	(TURBO)			9717-
20-250		VALVE, AIR BYPASS			
JF01-20-250B	1	(TURBO)			
20-345A		TUBE, VACUUM			
N370-20-381	1				-9510
AN(N370-20-381A)					
N370-20-381A	1	(TURBO)			9510-
23-603		ELEMENT, AIR CLEANER			
N350-13-240	1				
23-615C		DUCT, FRESH AIR			
N350-13-202	1				
23-6731		COVER, AIR CLEANER			
N326-13-201	1				

9510 FC3MM-707178  
9717 FC3MM-800095

\* NOTES: REFER TO SECT. NO. 1399 AS FOR HOSE CLIPS.

AUFA02

CAT. AUFA02-06

1992-05

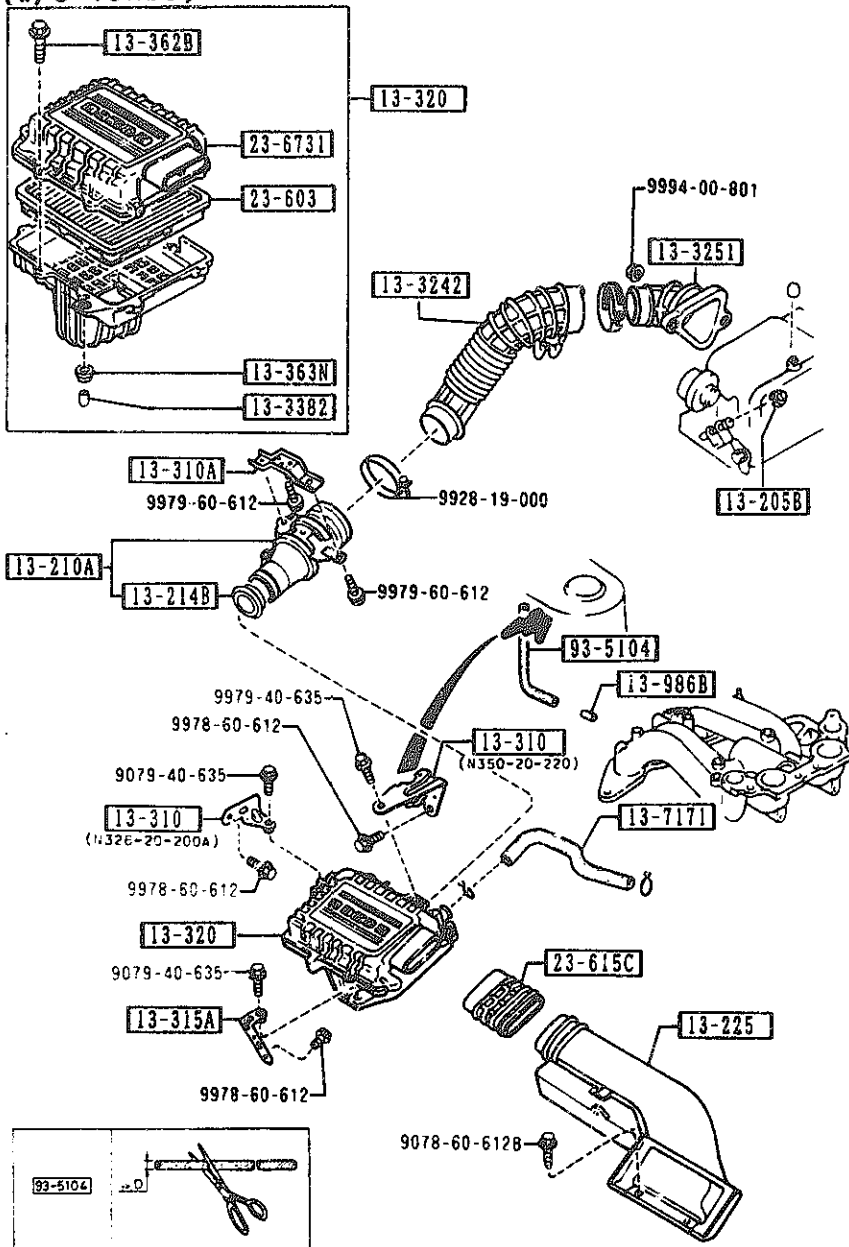
1-K 5

1330 AIR CLEANER

(1/2)

(W/O TURBO)

(THIS ILLUSTRATION CONSISTS OF 2 PAGES)



\* NOTES: REFER TO SECT. NO. 1399 AS FOR HOSE CLIPS.

AUFA02

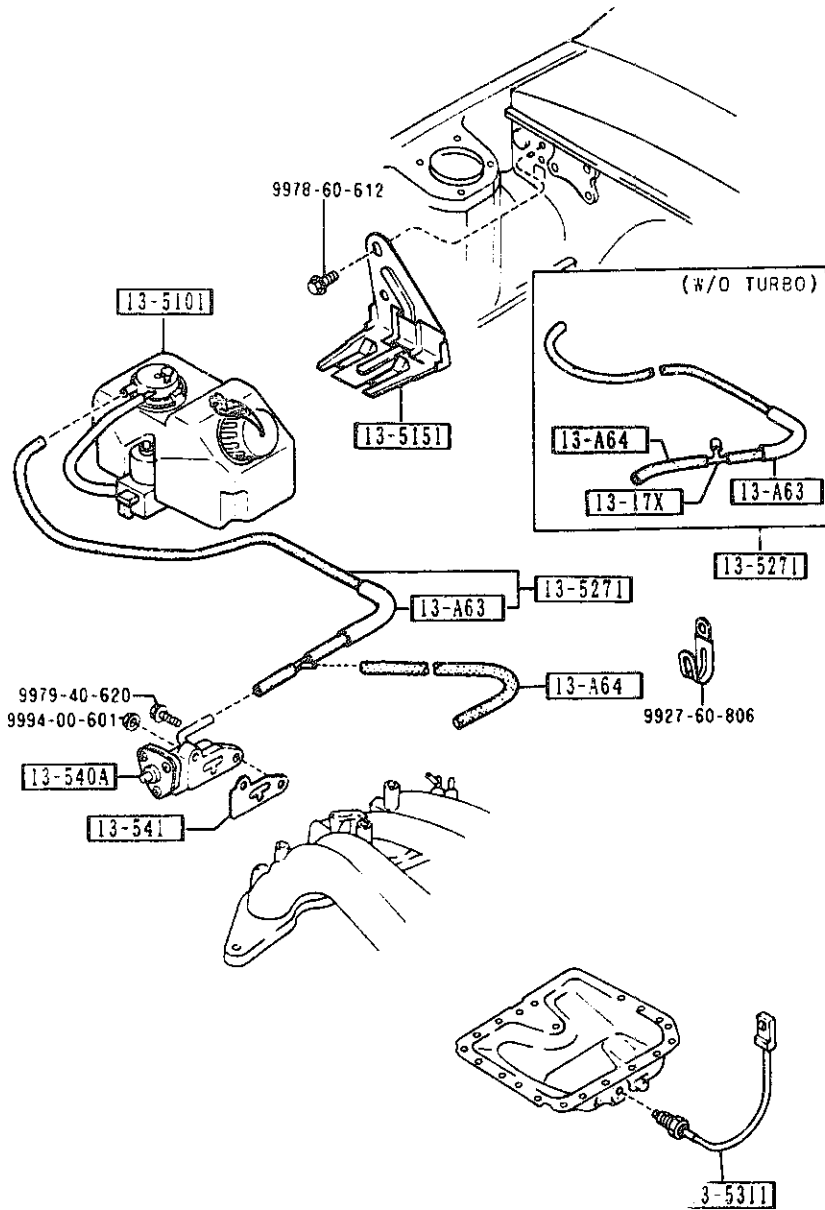
(CONT' D)

PART NO.	QTY	MODEL/RESTRICTION	MODEL/RESTRICTION	MODEL/RESTRICTION	FROM-TO
93-5104		MOSE			
99351-04999	1				

CAT. AUFA02-06

1992-05

1350 STARTING ASSIST SYSTEM



NOTES: REFER TO SECT. NO. 1399 AS FOR HOSE CLIPS.

AUFA02

1350 -1 \* STARTING ASSIST SYSTEM

PART NO.	QTY	MODEL/RESTRICTION	MODEL/RESTRICTION	MODEL/RESTRICTION	FROM-TO
13-A63		PROTECTOR, HOSE-FLUID V.			
N326-13-A63B	1	(W/O TURBO)			
N332-13-A63	1	(TURBO)			-9821
13-A64		HOSE, FLUID-START FLUID			
N326-13-A64	1	(W/O TURBO)			
N332-13-A64B	1	(TURBO)			-9821
13-17X		CONNECTOR, FLUID HOSE			
N326-13-17X	1	(W/O TURBO)			
13-5101		TANK, STARTING FLUID			
1881-13-510G	1	FED, (W/SUBU ZERO SYSTEM)			-9821
13-5151		BRACKET, TANK			
N326-13-A5YB	1	FED-GTU, FED-GTUS, (W/SUBU ZERO SYS. W/O A. CRUISE)			
13-5271		HOSE			
N326-13-A6YC	1	(W/O TURBO)			-9821
N332-13-A6YB	1	(TURBO)			-9821
13-5311		THERMO UNIT			
N326-13-A61	1				-9821
13-540A		VALVE, STARTING FLUID			
N350-13-A65	1				-9510
AN(N350-13-A65A)					
N370-13-A65	1				-9510
AN(N370-13-A65A)					
N350-13-A65A	1	(W/O TURBO)			9510-9821
N370-13-A65A	1	(TURBO)			9510-9821
13-541		GASKET			
N326-13-A66	1	ASBESTOS			-9821
9510 FC3MM-707178 9821 FC3MM-801559					

CAT. AUFA02-06

1992-05



## SECTION NAME INDEX (ENGINE)

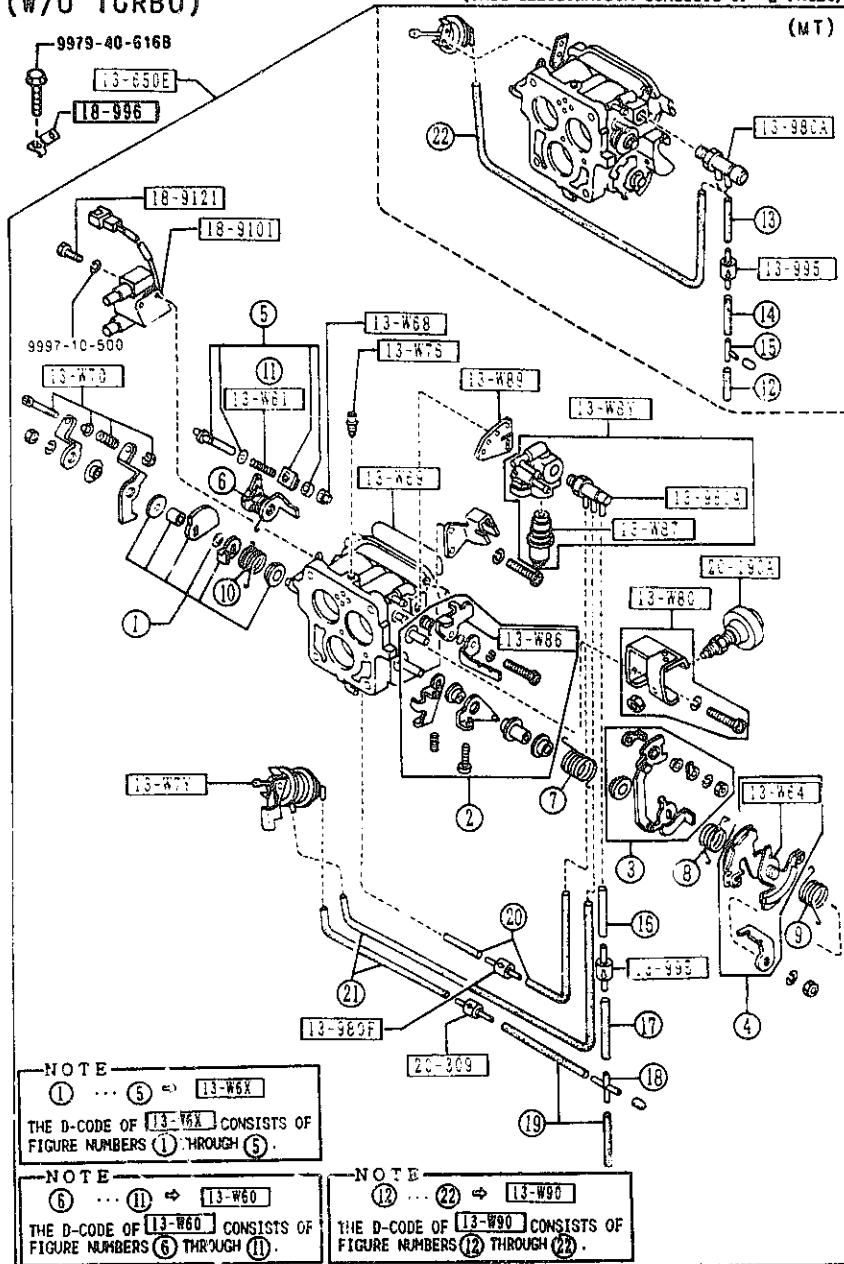
LO.NO	SEC.NO	SECTION NAME	LO.NO	SEC.NO	SECTION NAME	LO.NO	SEC.NO	SECTION NAME
1-C03	1000	SHORT ENGINE & GASKET SETS (W/O TURBO)	1-G11	1840	STARTER			
1-D03	1000 A	SHORT ENGINE & GASKET SETS (TURBO)	1-J11	1850	BATTERY			
1-E03	1030	ROTOR HOUSINGS (W/O TURBO)	1-K11	1910	TORQUE CONVERTER, OIL PUMP & PIPINGS (AUTOMATIC)			
1-G03	1030 A	ROTOR HOUSINGS (TURBO)	1-N11	1920	TRANSMISSION CASE & MAIN CONTROL SYSTEM (AUTOMATIC)			
1-J03	1040	OIL PAN, FRONT & REAR HOUSING (W/O TURBO)	1-I12	1925	CONTROL VALVE (AUTOMATIC)			
1-M03	1040 A	OIL PAN, FRONT & REAR HOUSING (TURBO)	1-D13	1930	CLUTCHES & PLANETARY GEARS (AUTOMATIC)			
1-D04	1100	ECCENTRIC SHAFT & FLYWHEEL	1-L13	1940	GOVERNOR, LOW & REVERSE PISTON (AUTOMATIC)			
1-G04	1110	ROTORS & RELATED PARTS	1-C14	1950	MANUAL LINKAGE SYSTEM (AUTOMATIC)			
1-I04	1300	INLET MANIFOLD	1-E14	1960	GASKET & SEAL KIT (AUTOMATIC)			
1-M04	1310	EXHAUST MANIFOLD						
1-N04	1311	INTER COOLER (TURBO)						
1-C05	1312	TURBO CHARGER (TURBO)						
1-F05	1320	FUEL SYSTEM						
1-H05	1325	FUEL DISTRIBUTOR						
1-I05	1330	AIR CLEANER						
1-M05	1350	STARTING ASSIST SYSTEM						
1-N05	1364	THROTTLE BODY						
1-F06	1371	AIR PUMP & AIR CONTROL VALVE						
1-I06	1380	EMISSION CONTROL SYSTEM						
1-D07	1399	CAP & HOSE CLIP (INLET & EXHAUST SIDE)						
1-F07	1400	OIL PUMP & FILTER (W/O TURBO)						
1-I07	1400 A	OIL PUMP & FILTER (TURBO)						
1-M07	1500	COOLING SYSTEM						
1-F08	1580	BRACKET, PULLEY & BELT						
1-C09	1600	CLUTCH DISC & COVER (MANUAL)						
1-F09	1700	TRANSMISSION CASE (MANUAL)						
1-J09	1710	TRANSMISSION GEARS (MANUAL)						
1-H10	1720	CHANGE CONTROL SYSTEM (MANUAL)						
1-M10	1800	ENGINE ELECTRICAL SYSTEM						
1-E11	1830	ALTERNATOR						

CATLOG-NO= AUFA02-06

DATE. 1992-05

(W/O TURBO)

(THIS ILLUSTRATION CONSISTS OF 2 PAGES)



NOTE  
 ① ... ⑤ ⇔ 13-W6X  
 THE D-CODE OF 13-W6X CONSISTS OF FIGURE NUMBERS ① THROUGH ⑤.

NOTE  
 ⑥ ... ⑪ ⇔ 13-W60  
 THE D-CODE OF 13-W60 CONSISTS OF FIGURE NUMBERS ⑥ THROUGH ⑪.

NOTE  
 ⑫ ... ⑳ ⇔ 13-W90  
 THE D-CODE OF 13-W90 CONSISTS OF FIGURE NUMBERS ⑫ THROUGH ⑳.

PART NO.	QTY	MODEL/RESTRICTION	MODEL/RESTRICTION	MODEL/RESTRICTION	FROM-TO
13-W6X		LEVER SET, THROTTLE BODY			
N350-13-W6X	1	((W/O TURBO))>(MT)			
N351-13-W6X	1	((W/O TURBO))>(AT)			
N370-13-W6X	1	(TURBO)			
13-W60		SPRING SET, THROTTLE BODY			
N332-13-W60	1	(TURBO)			
N350-13-W60	1	((W/O TURBO))>(MT)			
N351-13-W60	1	((W/O TURBO))>(AT)			
13-W61		SPRING, DAMPER			
N327-13-W61	1	((W/O TURBO))>(AT)			
N332-13-W61	1	(TURBO)			
13-W64		LEVER, THROTTLE			
N326-13-W64	1	(W/O TURBO)			
N337-13-W64	1	(TURBO)			
13-W68		NUT			
N326-13-W68	1	((W/O TURBO))>(AT) (TURBO)			
13-W69		RING, 'O'			
N326-13-W69	1				
13-W7Y		DIAPHRAGM			
N350-13-W7Y	1	((W/O TURBO))>(MT)			
N351-13-W7Y	1	((W/O TURBO))>(AT)			
N370-13-W7Y	1	(TURBO)			
13-W70		SCREW SET, THROTTLE BODY			
N350-13-W70	1				
13-W76		SCREW, ID. ADJUST-TH. BODY			
N326-13-W76	1	(W/O TURBO)			
13-W8Y		HOUSING, WAX			
N350-13-W8Y	1	((W/O TURBO))>(MT)			
N351-13-W8Y	1	((W/O TURBO))>(AT)			

1380  
 (W/O  
 (MT)  
 (N350-20-  
 13-08.  
 13-  
 9928-61-4  
 20-  
 NOTES: RE  
 AUFA02

(TURBO)

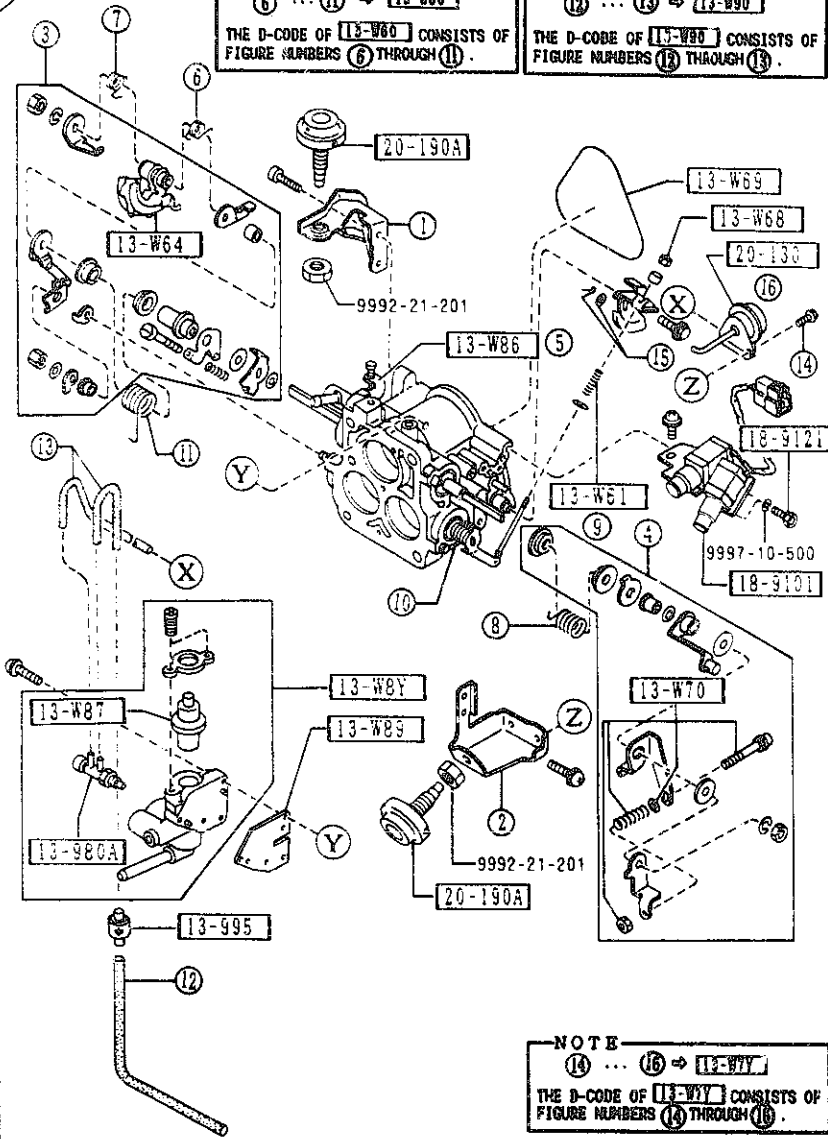
13-650E

NOTE  
① ... ② ⇒ 13-W80  
THE D-CODE OF 13-W80 CONSISTS OF FIGURE NUMBERS ① THROUGH ③.

NOTE  
③ ... ⑤ ⇒ 13-W8X  
THE D-CODE OF 13-W8X CONSISTS OF FIGURE NUMBERS ③ THROUGH ⑤.

NOTE  
⑥ ... ⑪ ⇒ 13-W60  
THE D-CODE OF 13-W60 CONSISTS OF FIGURE NUMBERS ⑥ THROUGH ⑪.

NOTE  
⑫ ... ⑬ ⇒ 13-W90  
THE D-CODE OF 13-W90 CONSISTS OF FIGURE NUMBERS ⑫ THROUGH ⑬.



NOTE  
⑭ ... ⑯ ⇒ 13-W7Y  
THE D-CODE OF 13-W7Y CONSISTS OF FIGURE NUMBERS ⑭ THROUGH ⑯.

PART NO.	QTY	MODEL/RESTRICTION	MODEL/RESTRICTION	MODEL/RESTRICTION	FROM TO
CONT'D N370-13-W8Y	1	(TURBO)			
13-W80		BRACKET SET, DASH POT -THRO			
N350-13-W80	1	((W/O TURBO)>(MT))			
N351-13-W80	1	((W/O TURBO)>(AT))			
N370-13-W80	1	(TURBO)			
13-W86		CAM, FIRST IDLE			
N326-13-W86	1	((W/O TURBO)>(MT))			
N327-13-W86	1	((W/O TURBO)>(AT))			
N370-13-W86	1	(TURBO)			
13-W87		WAX, THERMO			
N326-13-W87	1				
13-W89		GASKET, THERMO			
N350-13-W89	1				
13-W90		TUBE SET, VACUUM-THRO TLE			
N350-13-W90	1	((W/O TURBO)>(MT))			
N351-13-W90	1	((W/O TURBO)>(AT))			
N370-13-W90	1	(TURBO)			
13-650E		BODY, THROTTLE			
N350-13-650A	1	((W/O TURBO)>(MT))			-9C01
N351-13-650A	1	((W/O TURBO)>(AT))			-9C01
N370-13-650A	1	(TURBO)			-9C01
N350-13-650B	1	((W/O TURBO)>(MT))			9C01-
N351-13-650B	1	((W/O TURBO)>(AT))			9C01-
N370-13-650B	1	(TURBO)			9C01-
13-980A		VALVE, THERMO			
N304-13-980A	1	(MT)			
N326-13-980	1	(AT)			
13-980F		VALVE, DELAY			
N236-13-980A	1	(AT)			

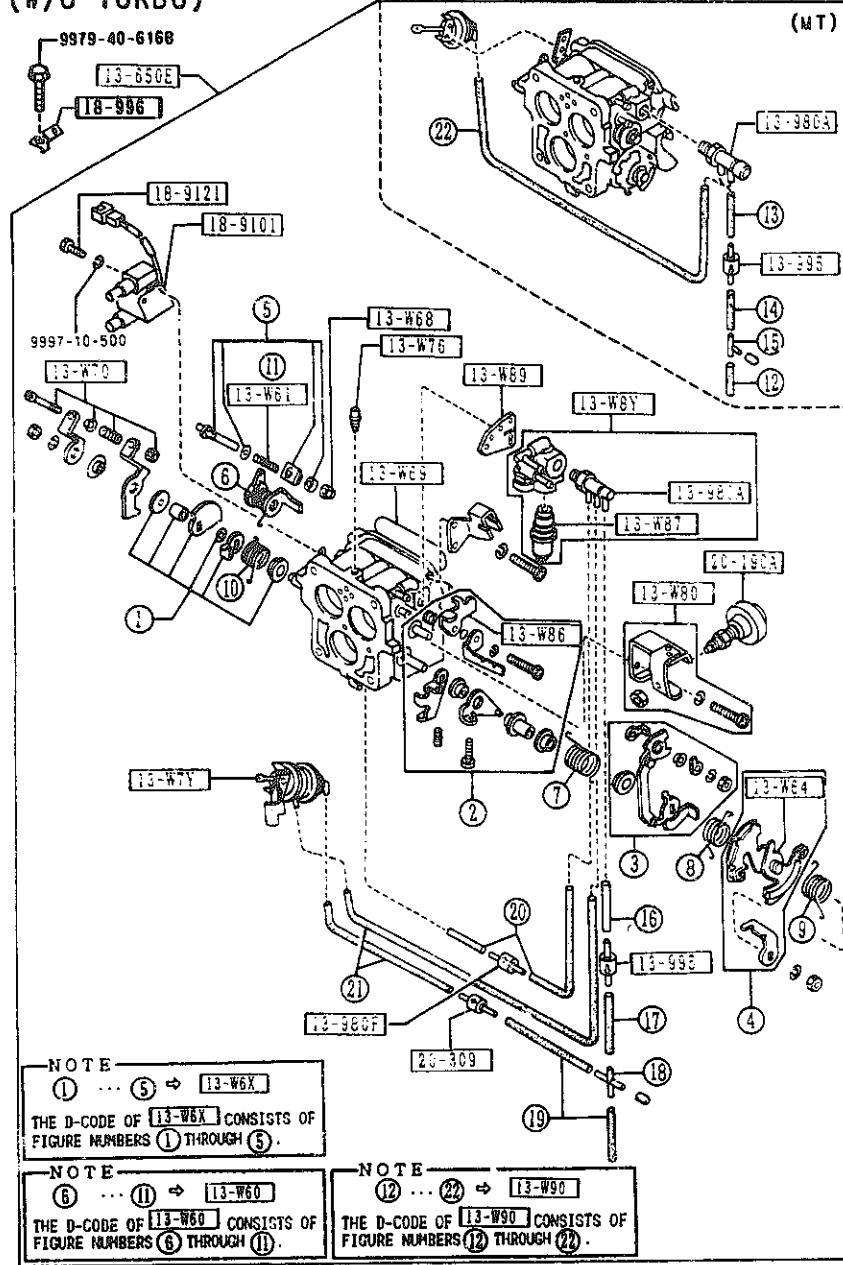
9C01 FC3\*\*\*-804800

1364 THROTTLE BODY

(1/2)

(W/O TURBO)

(THIS ILLUSTRATION CONSISTS OF 2 PAGES)



PART NO.	QTY	MODEL/RESTRICTION	MODEL/RESTRICTION	MODEL/RESTRICTION	FROM-TO
13-995		VALVE, CHECK			
HE41-13-995	1				
18-9101		SENSOR, THROTTLE POSITION			
N350-18-911A	1	(W/O TURBO)			-9C01
N370-18-911	1	(TURBO)			-9C01
N350-18-911B	1	(W/O TURBO)			9C01-
N380-18-911	1	(TURBO)			9C01-
18-9121		BOLT			
N304-18-912	2				
18-996		CLIP			
N350-18-996	1	(W/O TURBO)			
20-130		ACTUATOR, SHUTTER VALVE			
N370-20-130	1	(TURBO)			
20-190A		DASH POT			
N350-20-190	1	(W/O TURBO)			
	2	(TURBO)			
20-309		VALVE, VACUUM DELAY			
8574-20-309	1	(AT)			
9C01 FC3***-804800					

(CONT'D)

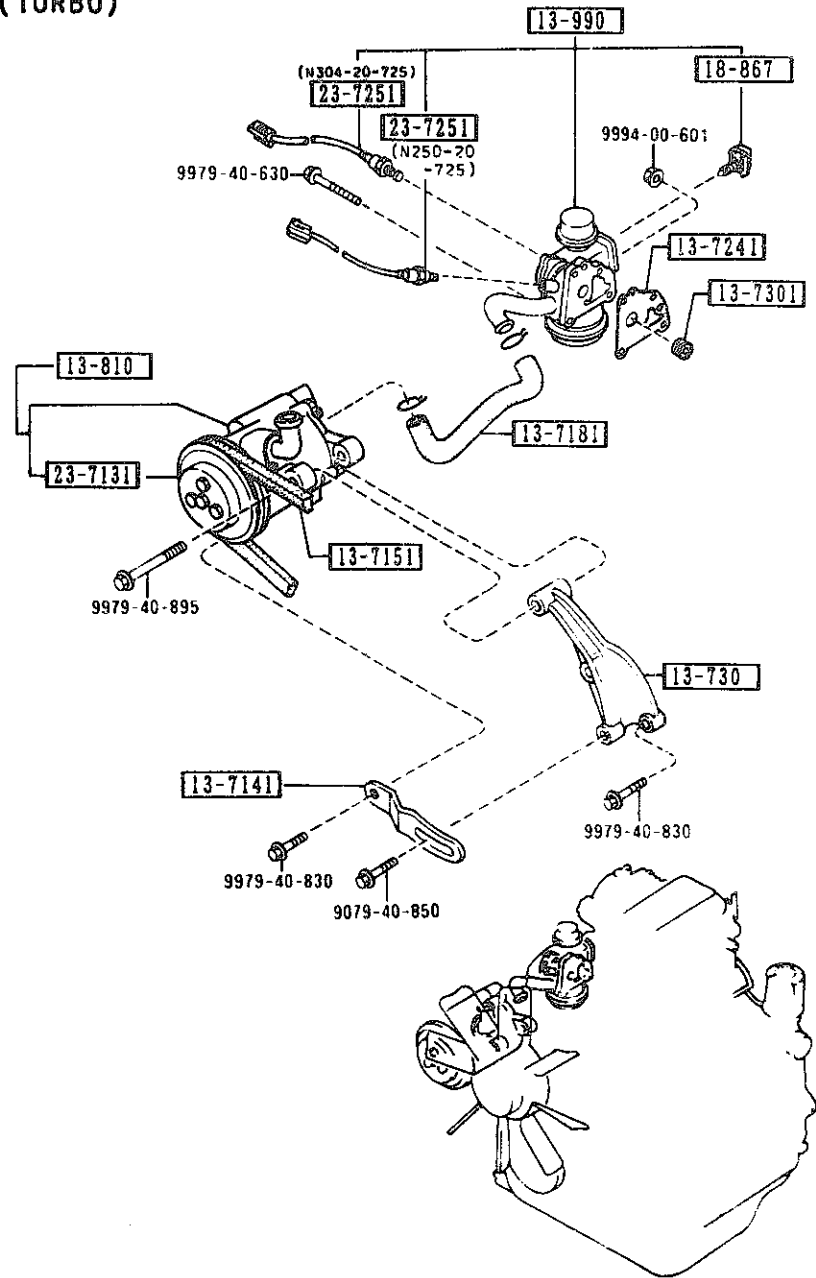
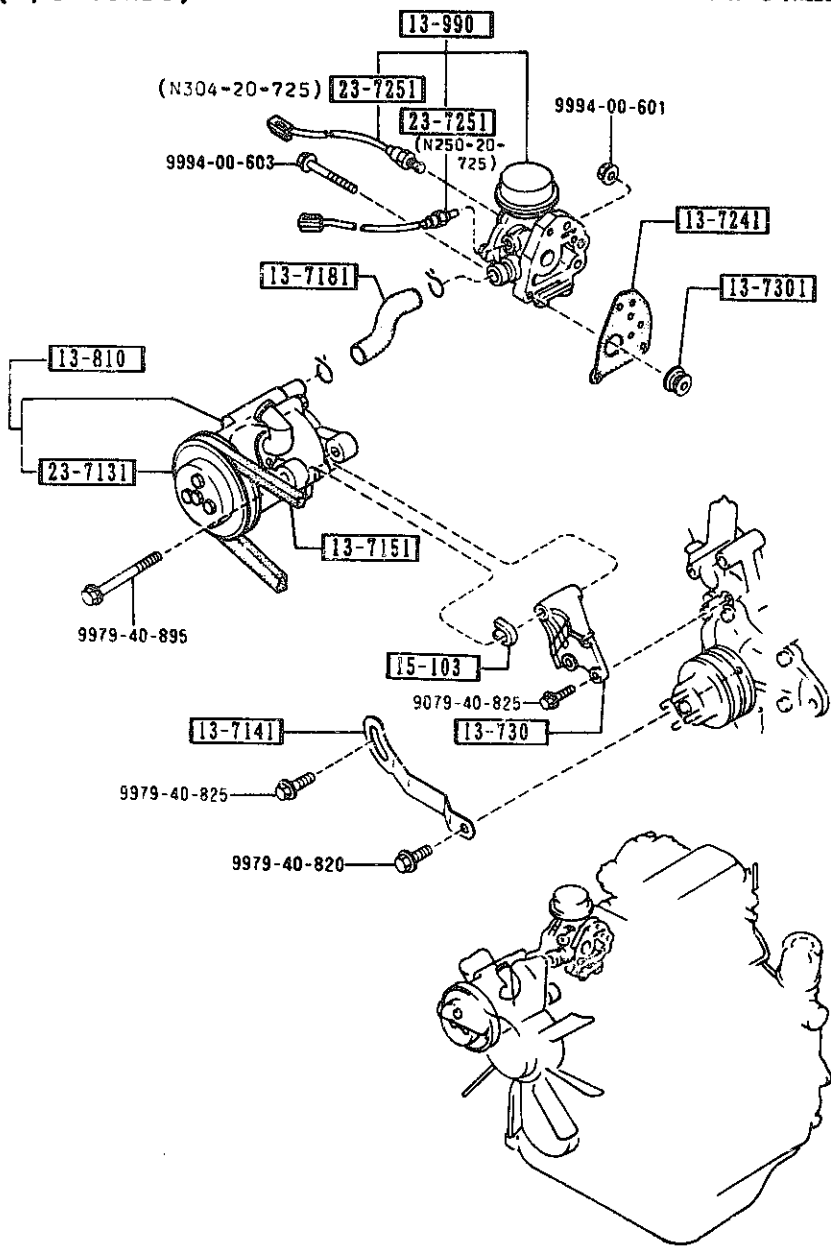
CAT. AUFA02-06

1992-05



(W/O TURBO)

(THIS ILLUSTRATION CONSISTS OF 2 PAGES) (TURBO)



NOTES: REFER TO SECT. NO. 1399 AS FOR HOSE CLIPS.

AUFA02

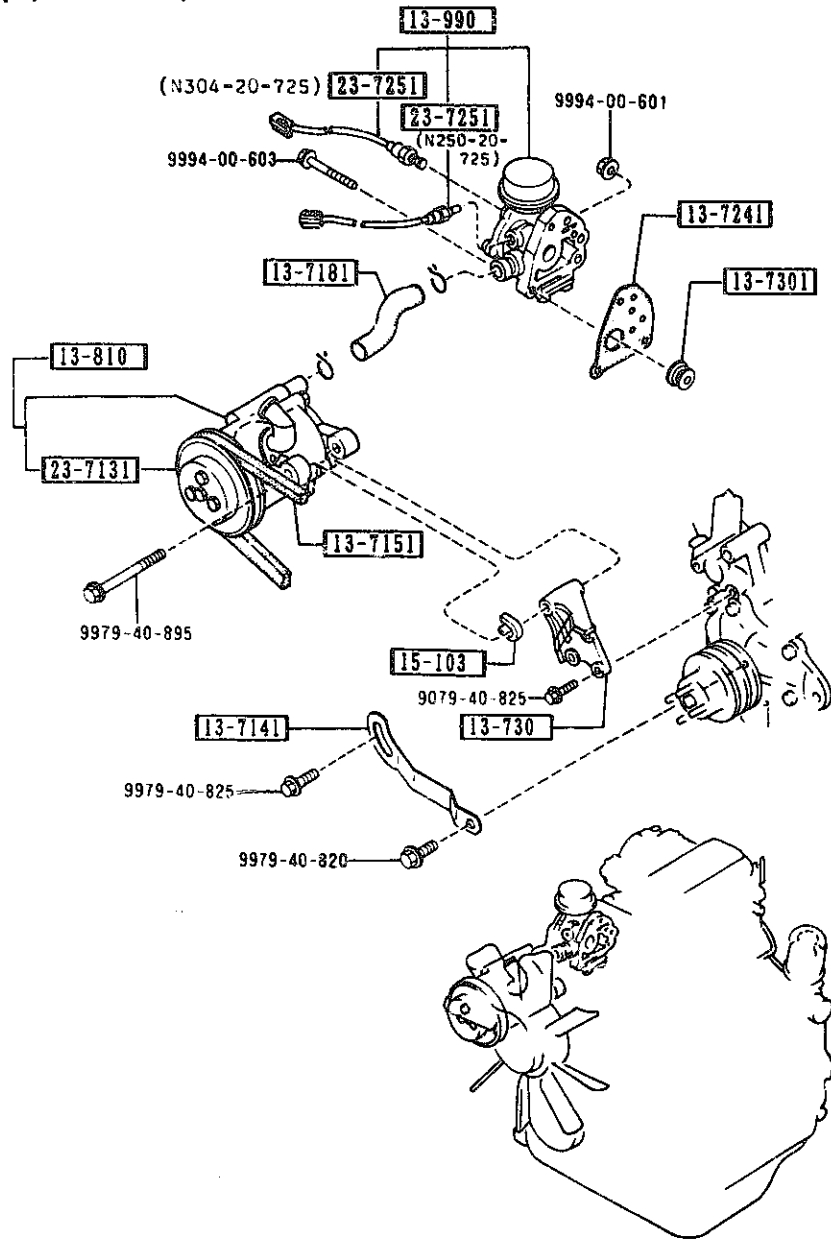
NOTES: REFER TO SECT. NO. 1399 AS FOR HOSE CLIPS.

AUFA02

(CONT'D)

(W/O TURBO)

(THIS ILLUSTRATION CONSISTS OF 2 PAGES)



PART NO.	QTY	MODEL/RESTRICTION	MODEL/RESTRICTION	MODEL/RESTRICTION	FROM-TO
13-7141		STRAP, AIR PUMP			
N350-13-812	1	(W/O TURBO)			
N370-13-812	1	(TURBO)			
13-7151		BELT 'V'			
N370-13-813A	1				
13-7181		HOSE, AIR			
N350-20-752	1	(W/O TURBO)			
N370-20-752	1	(TURBO)			
13-7241		GASKET, A.C. VALVE			
N304-13-724A	1	ASBESTOS (W/O TURBO)			
N518-13-996	1	ASBESTOS (TURBO)			
13-730		BRACKET, AIR PUMP			
N350-13-921	1	(W/O TURBO)			
N370-13-921A	1	(TURBO)			
13-7301		VALVE, CHECK			
1480-13-730	1				
13-810		PUMP, AIR			
N350-13-810	1	(W/O TURBO)			
N370-13-810	1	(TURBO)			
13-990		VALVE, AIR CONTROL			
N350-13-990A	1	((W/O TURBO))>(MT)			
N351-13-990A	1	((W/O TURBO))>(AT)			
N370-13-990A	1	(TURBO)			
15-103		SPACER			
N304-15-103	1	(W/O TURBO)			
18-867		CLIP			
FE30-18-867A	1	(TURBO)			
23-7131		PULLEY, AIR PUMP			

NOTES: REFER TO SECT. NO. 1399 AS FOR HOSE CLIPS.

AUFA02

(CONT'D)

CAT. AUFA02-06

1992-05

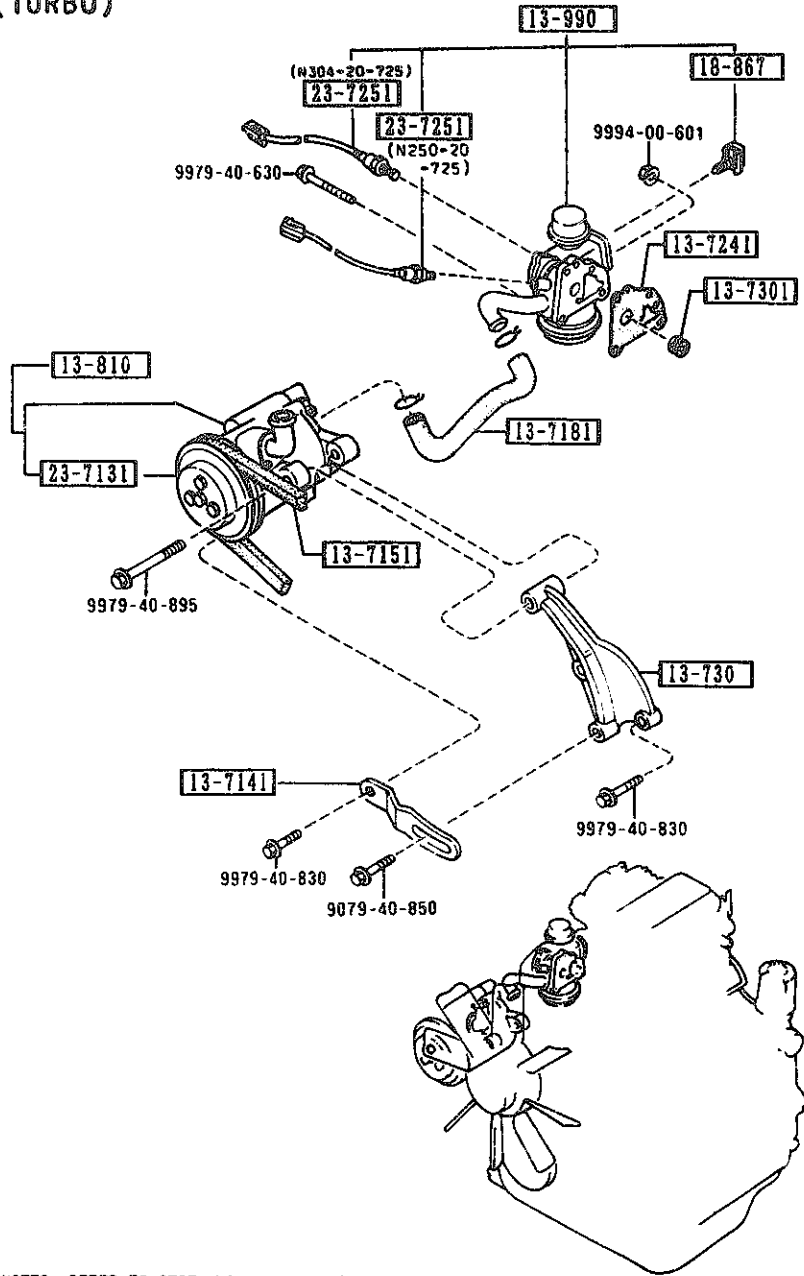
1371 AIR PUMP & AIR CONTROL VALVE

(2/2)

1371 -2 \* AIR PUMP & AIR CONTROL VALVE

(THIS ILLUSTRATION CONSISTS OF 2 PAGES)

(TURBO)



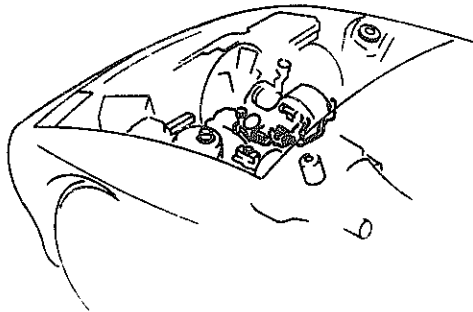
PART NO.	QTY	MODEL/RESTRICTION	MODEL/RESTRICTION	MODEL/RESTRICTION	FROM-TO
CONT'D					
N350-13-811	1				
23-7251		VALVE, SOLENOID			
N250-20-725	1				
N304-20-725	1				

NOTES: REFER TO SECT. NO. 1399 AS FOR HOSE CLIPS.

AUFA02

CAT. AUFA02-06

1992-05

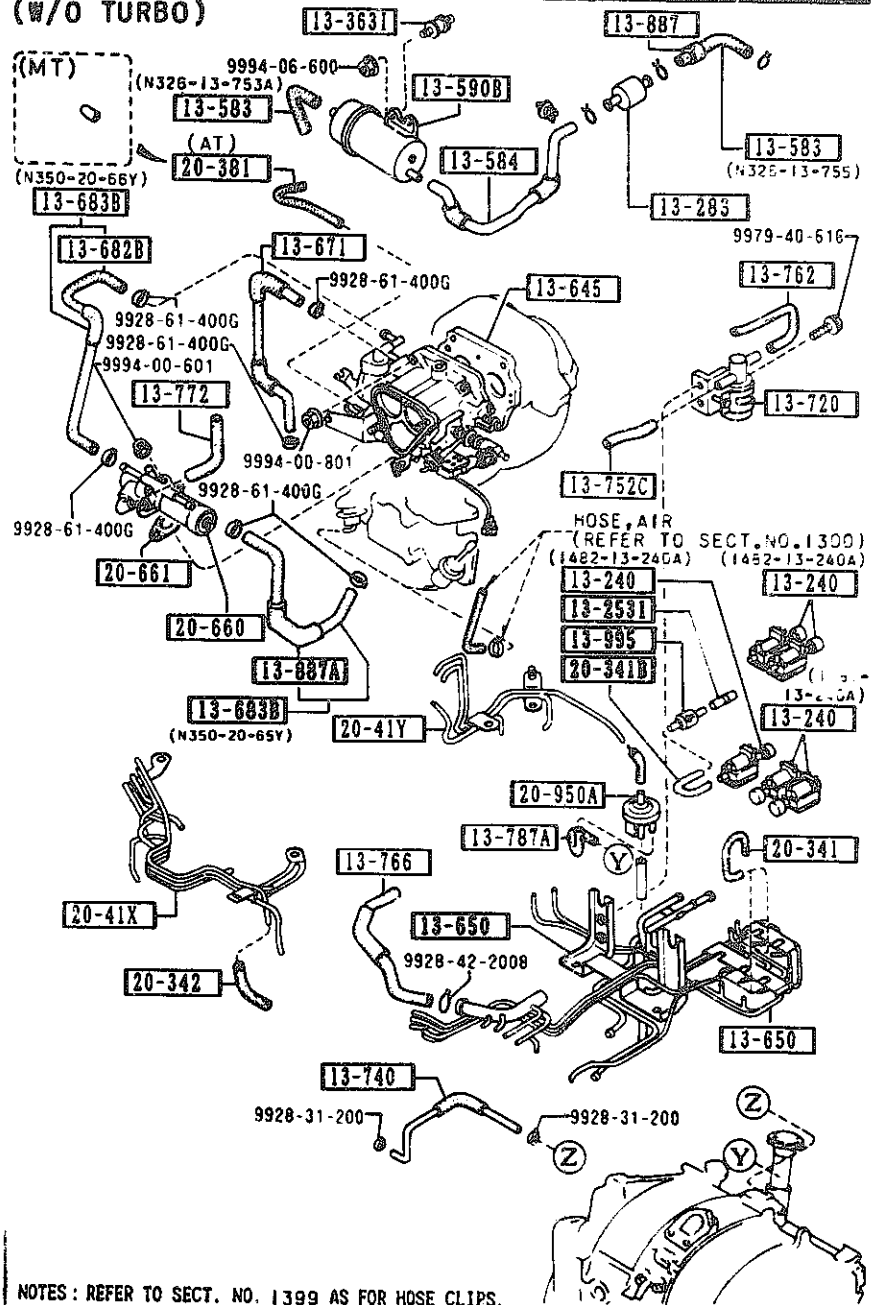


<p>93-5104 93-5106 HOSE</p>		<p>9935-10-4999</p>	<p>D=4MM</p>
		<p>9935-10-6999</p>	<p>D=6MM</p>
<p>13-986B ORIFICE</p>		<p>8931-13-986</p>	<p>D=0.5(BLACK)</p>
<p>13-945B CONNECTOR</p>		<p>1700-13-945A</p>	
<p>13-995 VALVE, CHECK</p>		<p>HE41-13-995</p>	

AUFA02

(CONT'D)

(W/O TURBO)



NOTES: REFER TO SECT. NO. 1399 AS FOR HOSE CLIPS.

AUFA02

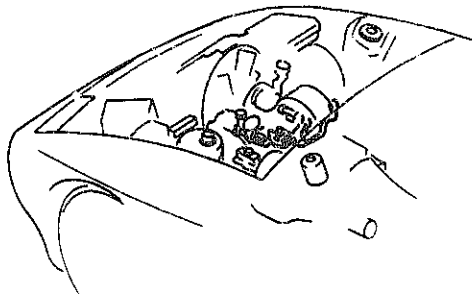
(CONT'D)



1380 EMISSION CONTROL SYSTEM

(1/3)

(THIS ILLUSTRATION CONSISTS OF 3 PAGES)



<b>93-5104</b> <b>93-5106</b> HOSE		9935-10-4999	D=4MM
		9935-10-6999	D=6MM
<b>13-986B</b> ORIFICE		0931-13-986	D=0.5 (BLACK)
<b>13-945B</b> CONNECTOR			
		1700-13-945A	
<b>13-995</b> VALVE, CHECK			
		0E41-13-995	

1380 -1 EMISSION CONTROL SYSTEM

PART NO.	QTY	MODEL/RESTRICTION	MODEL/RESTRICTION	MODEL/RESTRICTION	FROM TO
13-1041		CAP, BLIND			
N318-20-662A	1	(TURBO)			
13-240		VALVE, 3WAY			
1481-13-240A	2	(W/D TURBO)			
	3	(TURBO)			
1482-13-240A	3	(W/D TURBO)			
13-2451		HOSE, VACUUM			
N318-20-342	3	(TURBO)			
13-2531		HOSE, VACUUM			
N236-13-253A	1				
13-283		CHAMBER, AIR			
N304-13-283A	1				
13-3631		RUBBER, INSULATION			
N326-13-363A	2				
A (N326-13-363B)					
N326-13-363B	2				
13-583		HOSE, AIR			
N326-13-793A	1				
N326-13-795	1	(W/O TURBO)			
13-584		HOSE, AIR			
N319-13-750A	1	(TURBO)			
N326-13-750A	1	(W/O TURBO)			
13-590B		SILENCER, RELIEF			
N350-13-C90	1				
13-645		INSULATOR, THROTTLE BODY			
N350-13-645	1	(W/O TURBO)			
N370-13-645	1	ASBESTOS (TURBO)			
13-650		PIPE, VACUUM			
N370-20-610C	1	(TURBO)			
9C20 FC3MM-805226					

-9C20

9C20-

(CONT'D)

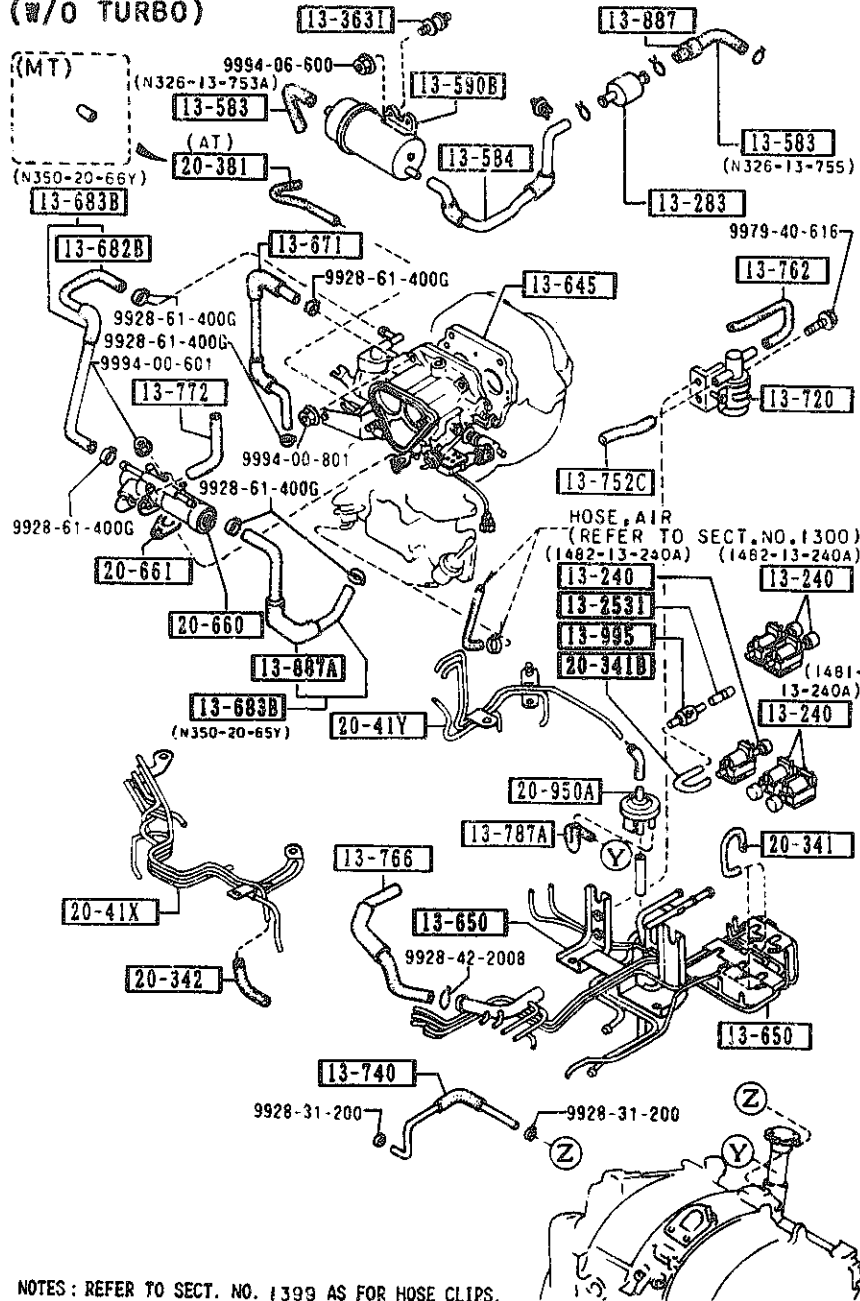
AUFA02

CAT. AUFA02-06

1992-05

1-K 6

(W/O TURBO)



NOTES: REFER TO SECT. NO. 1399 AS FOR HOSE CLIPS.

AUFA02

(CONT'D)

PART NO.	QTY	MODEL/RESTRICTION	MODEL/RESTRICTION	MODEL/RESTRICTION	FROM-TO
CONT'D					
N350-20-410B AN(N350-20-410C)	1				-9320
N350-20-410C	1	(W/O TURBO)			9320-
13-671		HOSE, WATER			
N350-13-680	1	(W/O TURBO)			
N370-13-681	1	(TURBO)			
13-682B		HOSE, WATER-B.A.C.V.& T.B.			
N350-20-665	1	(W/O TURBO)			
13-683B		HOSE, WATER-B.A.C.V.& R.H.			
N350-20-66Y	1	(W/O TURBO)			
N350-20-666 A (N350-20-665Y)	1				-9113
N350-20-65Y	1	(W/O TURBO)			9113-
13-720		VALVE, SOL.-AIR BLEED EXTE			
N350-13-720	1	(W/O TURBO)			
N370-13-725	1	(TURBO)			
13-720D		VALVE, SOL.-AIR BLEED SURG			
N370-13-720A	1	(TURBO)			
13-740		HOSE, VENT.-PURGE CON T. V.			
N350-13-740	1	(W/O TURBO)			
N332-13-741	1	(TURBO)			
13-744		HOSE, VENTILATION			
N318-13-744A	1	(TURBO)			
13-752A		HOSE, AIR-EXT.MANIFOL D			
N332-13-752A	1	(TURBO)			
13-752C		HOSE, AIR			
N350-13-752	1	(W/O TURBO)			
13-755A		HOSE, AIR			
N332-13-755A	1	(TURBO)			

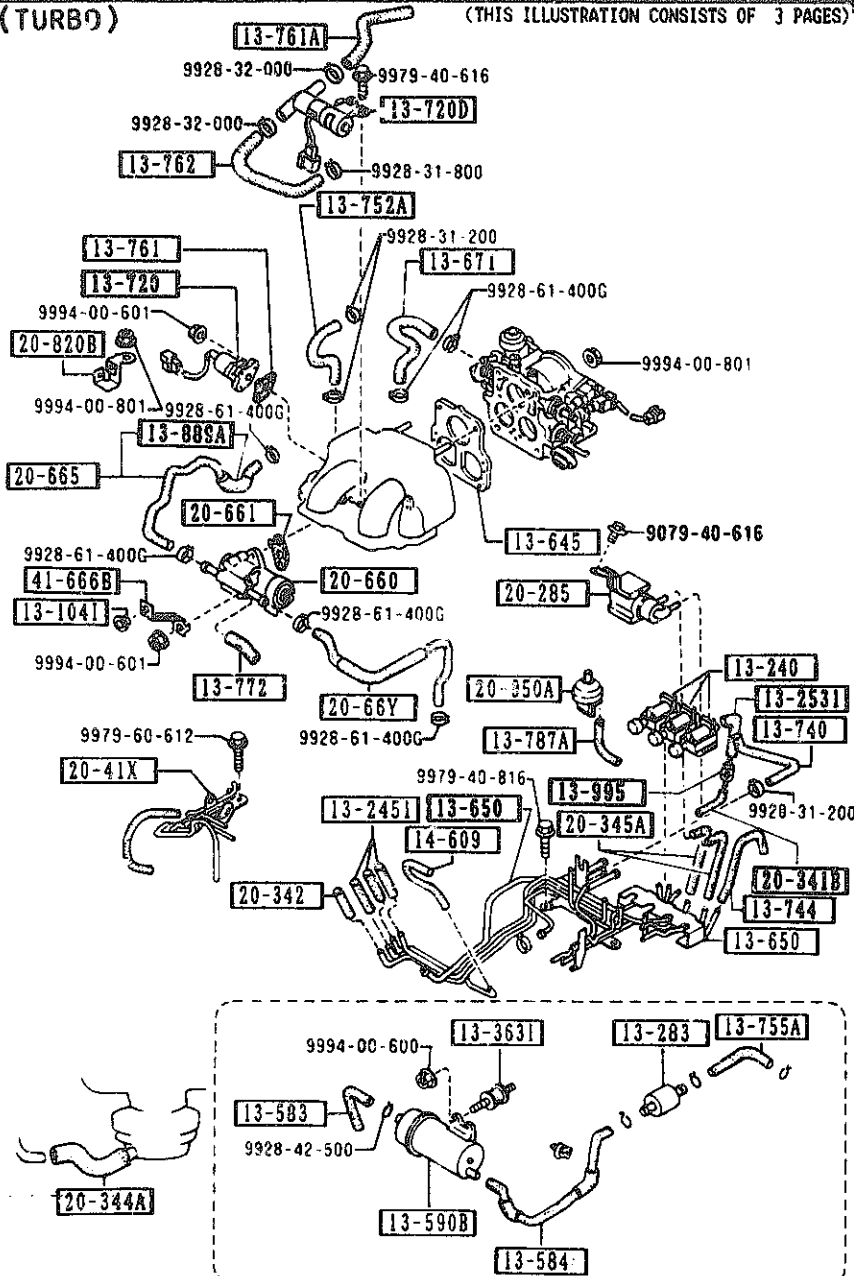
9113 FC3\*\*\*-700067  
9320 FC3\*\*\*-704987

CAT. AUFA02-06

1992-05

(TURBO)

(THIS ILLUSTRATION CONSISTS OF 3 PAGES)



NOTES: REFER TO SECT. NO. 1399 AS FOR HOSE CLIPS.

AUFA02

PART NO.	QTY	MODEL/RESTRICTION	MODEL/RESTRICTION	MODEL/RESTRICTION	FROM TO
13-761	1	GASKET			
N304-13-761A		ASBESTOS (TURBO)			
13-761A	1	HOSE, AIR			
N370-13-761A		(TURBO)			
13-762	1	HOSE, AIR			
N350-13-762		(W/O TURBO)			
N370-13-762A	1	(TURBO)			
13-766	1	HOSE, AIR			
N350-13-766A		(W/O TURBO)			
13-772	1	HOSE, AIR-AIR P. & BY A.C.V.			
N350-13-772		(W/O TURBO)			
N370-13-772A	1	(TURBO)			
13-787A	1	HOSE, VENTILATION			
N319-13-742		(TURBO)			
N350-13-742	1	(W/O TURBO)			
13-887	1	PROTECTOR, SPONGE-AIR HOSE			
N326-13-887		(W/O TURBO)			
13-837A	1	PROTECTOR, SPONGE-WAT HOSE			
N350-13-887		(W/O TURBO)			9113-
13-889A	1	PROTECTOR			
N370-13-889		(TURBO)			
13-945B	1	CONNECTOR			
1700-13-945A		(TURBO)			
13-986B	1	ORIFICE			
8931-13-986		D=0.5 BLACK			
13-995	3	VALVE, CHECK			
HE41-13-995					

9113 FCSMMR-700067

CAT. AUFA02-06

1992-05



(THIS ILLUSTRATION CONSISTS OF 3 PAGES)



<b>93-5104</b> <b>93-5106</b> HOSE		9335-10-4999	D=4MM
		9335-10-5999	D=6MM
<b>13-9863</b> ORIFICE		8931-13-985	D=0.5 (BLACK)
<b>13-945B</b> CONNECTOR			
		1700-13-945A	
<b>13-995</b> VALVE-CHECK			
		HE41-13-995	

PART NO.	QTY	MODEL/RESTRICTION	MODEL/RESTRICTION	MODEL/RESTRICTION	FROM TO
14-609 N326-14-609A	1	TUBE NO.4,AIR (TURBO)			
20-285 N370-20-285A	1	VALVE,DUTY SOLENOID (TURBO)			
20-341 N350-20-341	5	HOSE,VACUUM (W/O TURBO)			
20-341B B305-20-341	1	TUBE,VACUUM-SOL. VALVE			
20-342 N332-20-342A	1	HOSE,VACUUM			
20-344A N318-20-344	1	HOSE,AIR-A.C.V.8VAC PIPE (TURBO)			
20-345A N370-20-345	2	TUBE,VACUUM (TURBO)			-9221
20-345A N370-20-345A	2	(TURBO)			9221-
20-381 N351-20-381	1	TUBE,VACUUM (AT)			
20-41X N350-20-41XA A (N350-20-41XB)	1	PIPE NO.2,VACUUM			-9413
20-41XA N370-20-41XA	1	FED. (W/SUBU ZERO SYSTEM) (TURBO)			-9821
20-41XA N372-20-41XA	1	CALIF. (W/O SUBU ZERO SYSTEM) (TURBO)			-9821
20-41XB N350-20-41XB	1	(W/O TURBO)			9413-
20-41XA N372-20-41XA	1	(TURBO)			9821-
20-41Y N350-20-41YA A (N350-20-41YB)	1	PIPE,AIR-VALVE ACTUATOR			-9301
20-41YB N350-20-41YB	1				9301-9320

9221 FC3MMW-703680  
 9301 FC3MMW-704194  
 9320 FC3MMW-704987  
 9413 FC3MMW-706037  
 9821 FC3MMW-801559

## SECTION NAME INDEX (ENGINE)

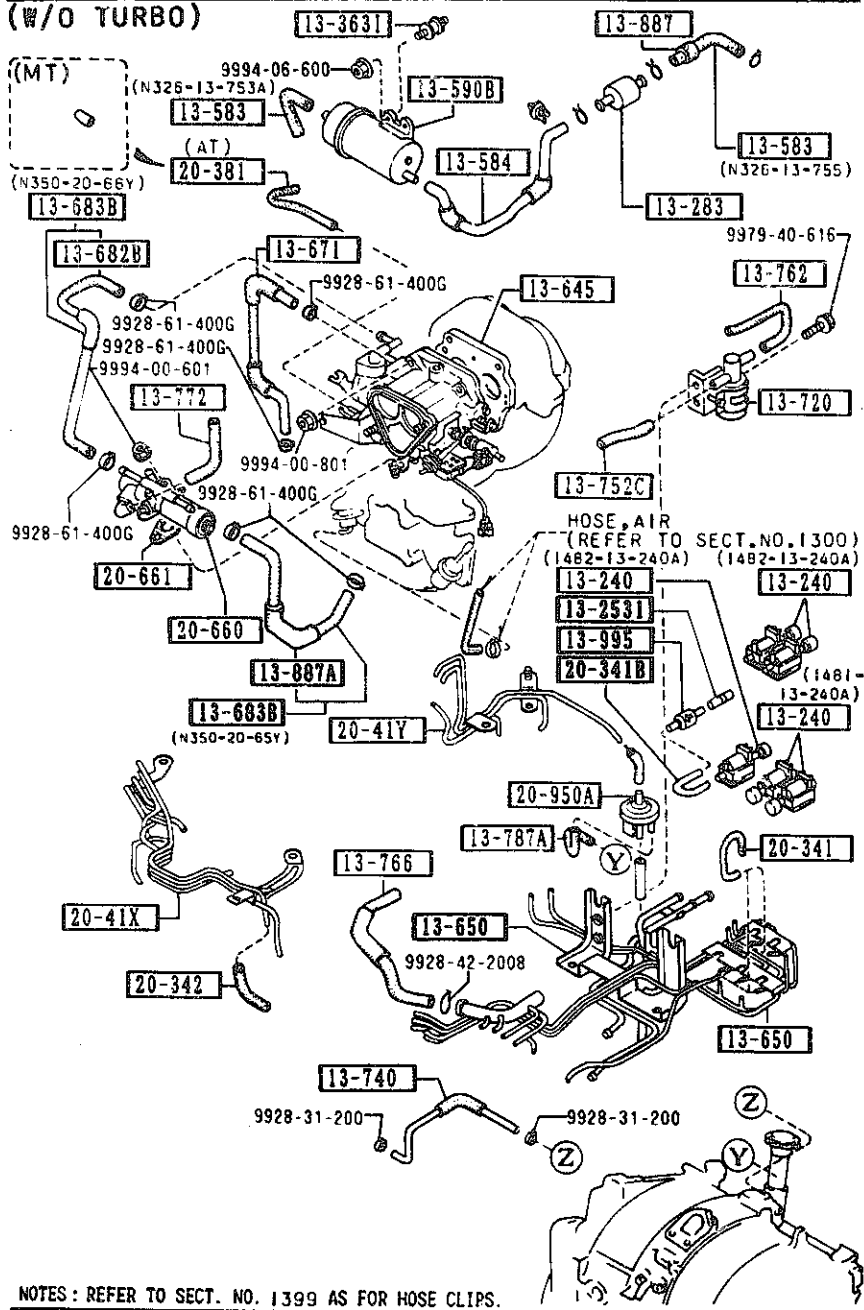
LO.NO	SEC.NO	SECTION NAME	LO.NO	SEC.NO	SECTION NAME	LO.NO	SEC.NO	SECTION NAME
1-C03	1000	SHORT ENGINE & GASKET SETS (W/O TURBO)	1-G11	1840	STARTER			
1-D03	1000 A	SHORT ENGINE & GASKET SETS (TURBO)	1-J11	1850	BATTERY			
1-E03	1030	ROTOR HOUSINGS (W/O TURBO)	1-K11	1910	TORQUE CONVERTER, OIL PUMP & PI PINGS (AUTOMATIC)			
1-G03	1030 A	ROTOR HOUSINGS (TURBO)	1-N11	1920	TRANSMISSION CASE & MAIN CONTR OL SYSTEM (AUTOMATIC)			
1-J03	1040	OIL PAN, FRONT & REAR HOUSING (W/O TURBO)	1-I12	1925	CONTROL VALVE (AUTOMATIC)			
1-M03	1040 A	OIL PAN, FRONT & REAR HOUSING (TURBO)	1-D13	1930	CLUTCHES & PLANETARY GEARS (AU TOMATIC)			
1-D04	1100	ECCENTRIC SHAFT & FLYWHEEL	1-L13	1940	GOVERNOR, LOW & REVERSE PISTON (AUTOMATIC)			
1-G04	1110	ROTORS & RELATED PARTS	1-C14	1950	MANUAL LINKAGE SYSTEM (AUTOMAT IC)			
1-I04	1300	INLET MANIFOLD	1-E14	1960	GASKET & SEAL KIT (AUTOMATIC)			
1-M04	1310	EXHAUST MANIFOLD						
1-N04	1311	INTER COOLER (TURBO)						
1-C05	1312	TURBO CHARGER (TURBO)						
1-F05	1320	FUEL SYSTEM						
1-H05	1325	FUEL DISTRIBUTOR						
1-I05	1330	AIR CLEANER						
1-M05	1350	STARTING ASSIST SYSTEM						
1-N05	1364	THROTTLE BODY						
1-F06	1371	AIR PUMP & AIR CONTROL VALVE						
1-I06	1380	EMISSION CONTROL SYSTEM						
1-D07	1399	CAP & HOSE CLIP (INLET & EXHAU ST SIDE)						
1-F07	1400	OIL PUMP & FILTER (W/O TURBO)						
1-I07	1400 A	OIL PUMP & FILTER (TURBO)						
1-M07	1500	COOLING SYSTEM						
1-F08	1580	BRACKET, PULLEY & BELT						
1-C09	1600	CLUTCH DISC & COVER (MANUAL)						
1-F09	1700	TRANSMISSION CASE (MANUAL)						
1-J09	1710	TRANSMISSION GEARS (MANUAL)						
1-H10	1720	CHANGE CONTROL SYSTEM (MANUAL)						
1-M10	1800	ENGINE ELECTRICAL SYSTEM						
1-E11	1830	ALTERNATOR						



CATLOG-NO= AUFA02-06

DATE. 1992-05

(W/O TURBO)



PART NO.	QTY	MODEL/RESTRICTION	MODEL/RESTRICTION	MODEL/RESTRICTION	FROM TO
CONT'D AN(N350-20-41YC)					
N350-20-41YC	1	(W/O TURBO)			9320-
20-66Y		HOSE, WATER			
N370-20-66YA	1	(TURBO)			
20-660		VALVE, IDLE AIR CONTROL			
N350-20-660	1	(W/O TURBO)			
N370-20-660A	1	(TURBO)			
20-661		GASKET, B.A.C. VALVE			
N350-20-661	1	ASBESTOS			
20-665		HOSE, WATER BY-PASS			
N370-20-65Y	1	(TURBO)			
20-820B		CLIP, FLUID HOSE			
N332-20-820B	1	(TURBO)			
20-950A		VALVE, PURGE			
1480-20-950A	1				
41-666B		BRACKET, ACCEL. WIRE-B.Y.A.C.			
FB44-41-666A	1	(TURBO)			
93-5104		HOSE			
99351-04999	1				
93-5106		HOSE			
99351-06999	1				
9320 FC3***-704987					

NOTES: REFER TO SECT. NO. 1399 AS FOR HOSE CLIPS.

AUFA02

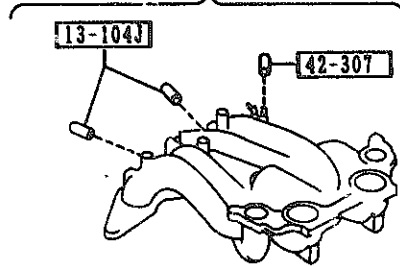
(CONT'D)

CAT. AUFA02-06

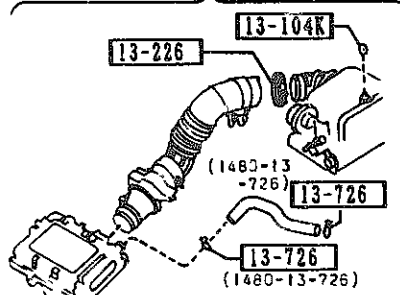
1992-05

(W/O TURBO)

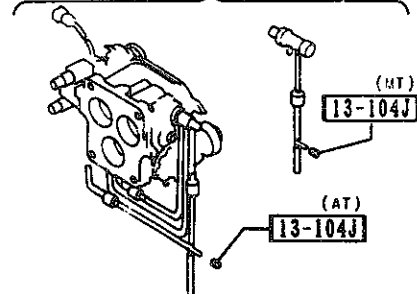
(REFER TO SECT.NO.1300)



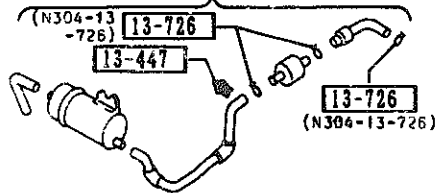
(REFER TO SECT.NO.1330)



(REFER TO SECT.NO.1354)

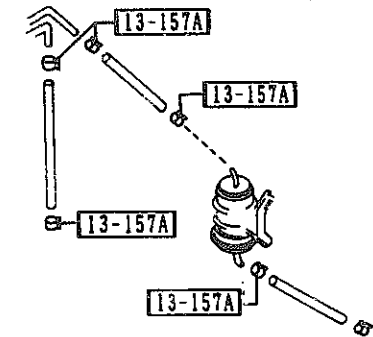
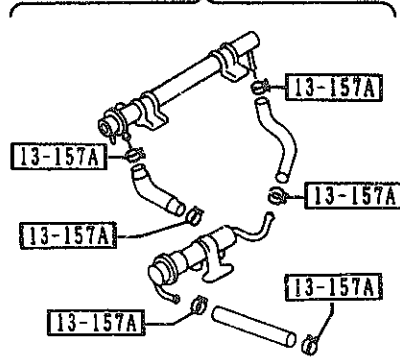


(REFER TO SECT.NO.1380)

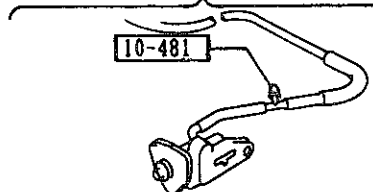


(THIS ILLUSTRATION CONSISTS OF 2 PAGES)

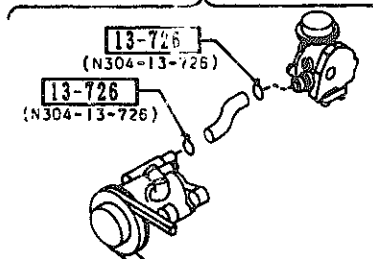
(REFER TO SECT.NO.1320)



(REFER TO SECT.NO.1350)

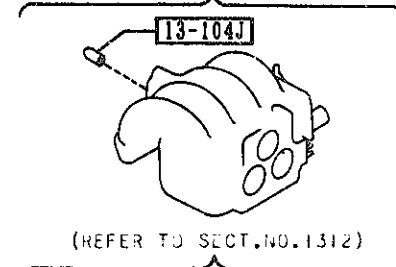


(REFER TO SECT.NO.1371)

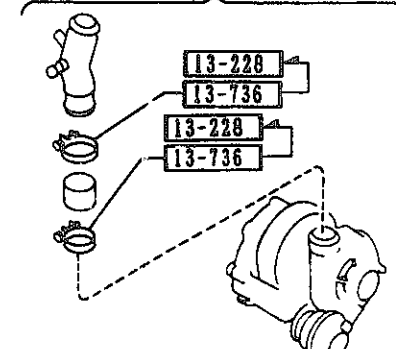


(TURBO)

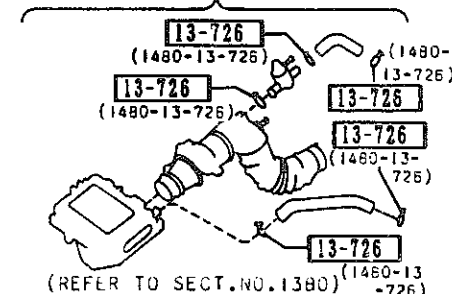
(REFER TO SECT.NO.1300)



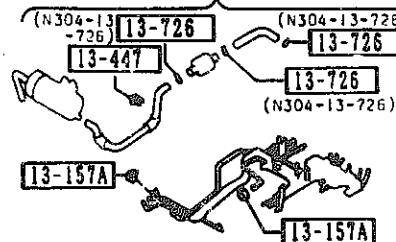
(REFER TO SECT.NO.1312)



(REFER TO SECT.NO.1330)

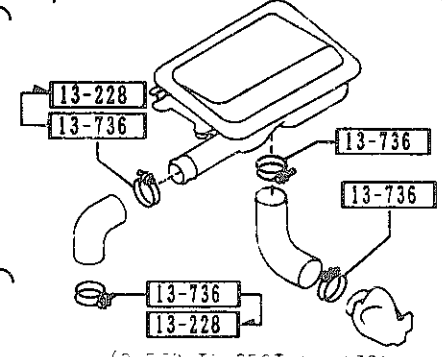


(REFER TO SECT.NO.1380)

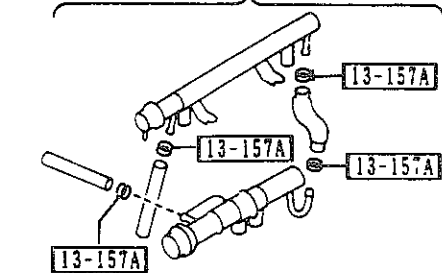


(THIS ILLUSTRATION CONSISTS OF 2 PAGES)

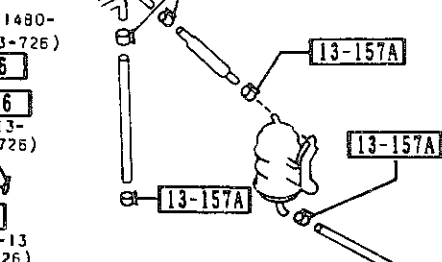
(REFER TO SECT.NO.1311)



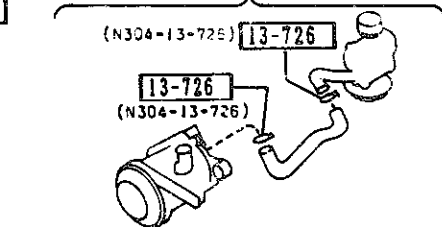
(REFER TO SECT.NO.1320)



(REFER TO SECT.NO.1350)

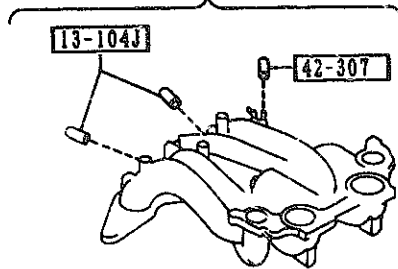


(REFER TO SECT.NO.1371)

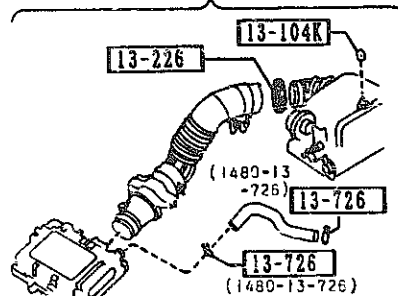


(W/O TURBO)

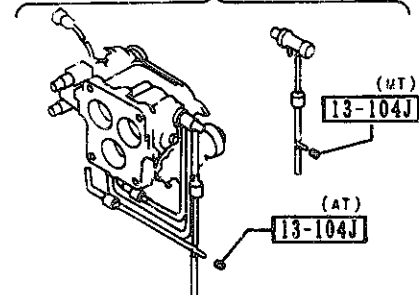
(REFER TO SECT.NO.1300)



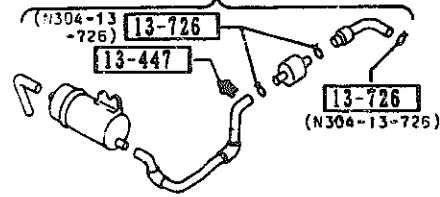
(REFER TO SECT.NO.1330)



(REFER TO SECT.NO.1354)

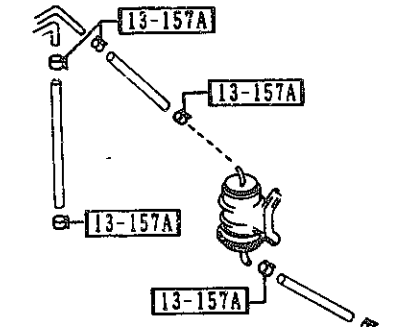
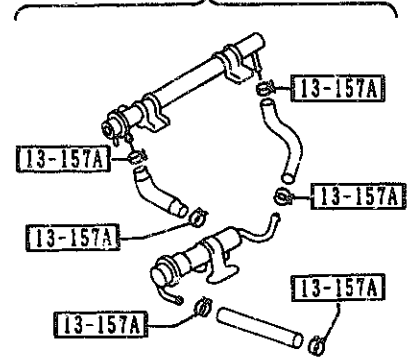


(REFER TO SECT.NO.1380)

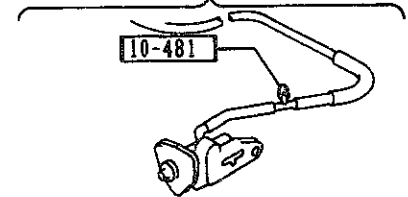


(THIS ILLUSTRATION CONSISTS OF 2 PAGES)

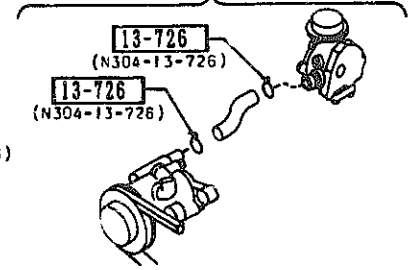
(REFER TO SECT.NO.1320)



(REFER TO SECT.NO.1350)



(REFER TO SECT.NO.1371)

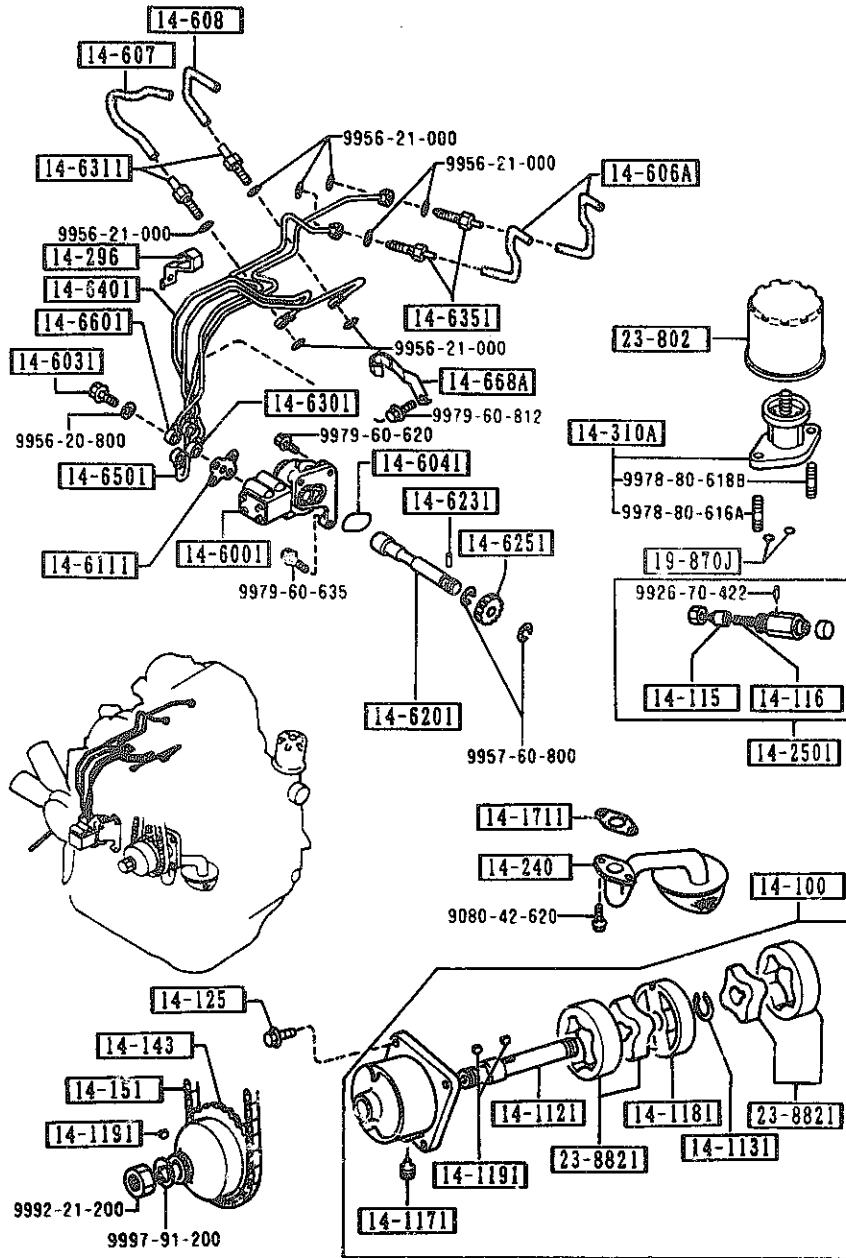


PART NO.	QTY	MODEL/RESTRICTION	MODEL/RESTRICTION	MODEL/RESTRICTION	FROM-TO
10-481		CAP			
2306-10-481	1	FED, (W/SUBU ZERO SYSTEM) (W/O TURBO)			-9821
13-104J		CAP,BLIND			
1010-13-104	1	(TURBO)			
	3	(W/O TURBO)			
13-104K		CAP,BLIND			
N350-13-104	1	(W/O TURBO)			
13-157A		CLIP			
8574-13-157	11				
13-226		CLAMP,HOSE			
FE05-13-240	1	(W/O TURBO)			
13-228		CLAMP,HOSE			
SL50-13-736	4	(TURBO)			9301-
13-447		CLIP			
N326-13-447	2				
13-726		CLIP,AIR HOSE			
N304-13-726	5				
1480-13-726	2	(W/O TURBO)			
	5	(TURBO)			
13-736		CLAMP,HOSE-A.I.PIPE SIDE			
N318-13-736A	6	(TURBO)			-9301
N318-13-736A	2	(TURBO)			9301-
42-307		CAP			
0223-42-307	1	(W/O TURBO)			

9301 FC3MM-704194  
9821 FC3MM-801559

1400 OIL PUMP & FILTER  
(W/O TURBO)

1400 -1 OIL PUMP & FILTER  
(W/O TURBO)



PART NO.	QTY	MODEL/RESTRICTION	MODEL/RESTRICTION	MODEL/RESTRICTION	FROM TO
14-100		PUMP, OIL			
N326-14-100A	1				
14-1121		SHAFT, OIL PUMP			
N326-14-131	1				
14-1131		RING, SNAP			
0810-14-113	1				
14-115		PLUNGER, CONTROL			
0221-14-115	1				
14-116		SPRING, PRESSURE			
0221-14-116	1				
14-1171		BOLT, LOCK			
N326-14-117	1				
14-1181		PLATE, MIDDLE			
N326-14-135A	1				
14-1191		KEY			
0839-14-119B	3				
14-125		BOLT, SET			
8553-14-125	4				
14-143		WHEEL, SPROCKET			
N326-14-143	1				
14-151		CHAIN, OIL PUMP			
N326-14-151	1				
14-1711		GASKET, OIL STRAINER			
0810-14-171A	1	ASBESTOS			
14-240		STRAINER, OIL			
N326-14-240B	1				
14-2501		REGULATOR, PRESSURE			

AUFA02

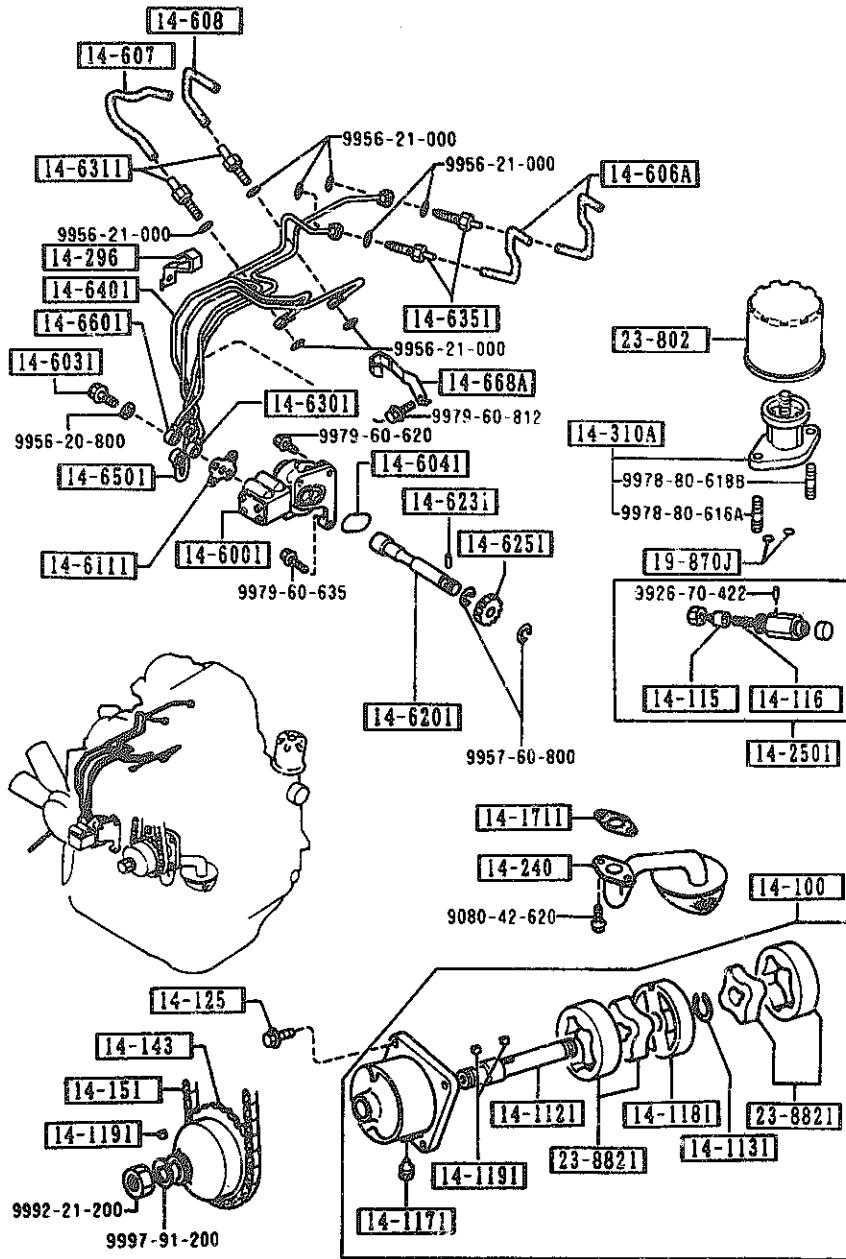
CAT. AUFA02-06

1992-05

1-F-7

1400 OIL PUMP & FILTER  
(W/O TURBO)

1400 -2 OIL PUMP & FILTER  
(W/O TURBO)



PART NO.	QTY	MODEL/RESTRICTION	MODEL/RESTRICTION	MODEL/RESTRICTION	FROM-TO
CONT'D					
3648-14-250	1				
14-296		CLIP,OIL TUBE			
N350-14-667	1				
14-310A		BODY,OIL FILTER			
8341-14-310	1				
14-6001		PUMP,METERING OIL			
N350-14-600B	1				
14-6031		BOLT,CONNECTOR			
N236-14-603B	4				
14-6041		RING,'O'			
N350-14-604	1				
14-606A		TUBE NO.1,AIR			
N350-14-606	2				
14-607		TUBE NO.2,AIR			
N350-14-607	1				
14-608		TUBE NO.3,AIR			
N350-14-608	1				
14-6111		GASKET,METERING OIL NON ASBESTOS			
N350-14-602	1				
14-6201		SHAFT,DRIVEN GEAR			
N350-14-620	1				
14-6231		PIN,DRIVEN GEAR			
0813-14-623	1				
14-6251		GEAR,DRIVEN			
0820-14-625A	1				
14-6301		TUBE,METERING OIL			
N350-14-660B	1				

AUFA02

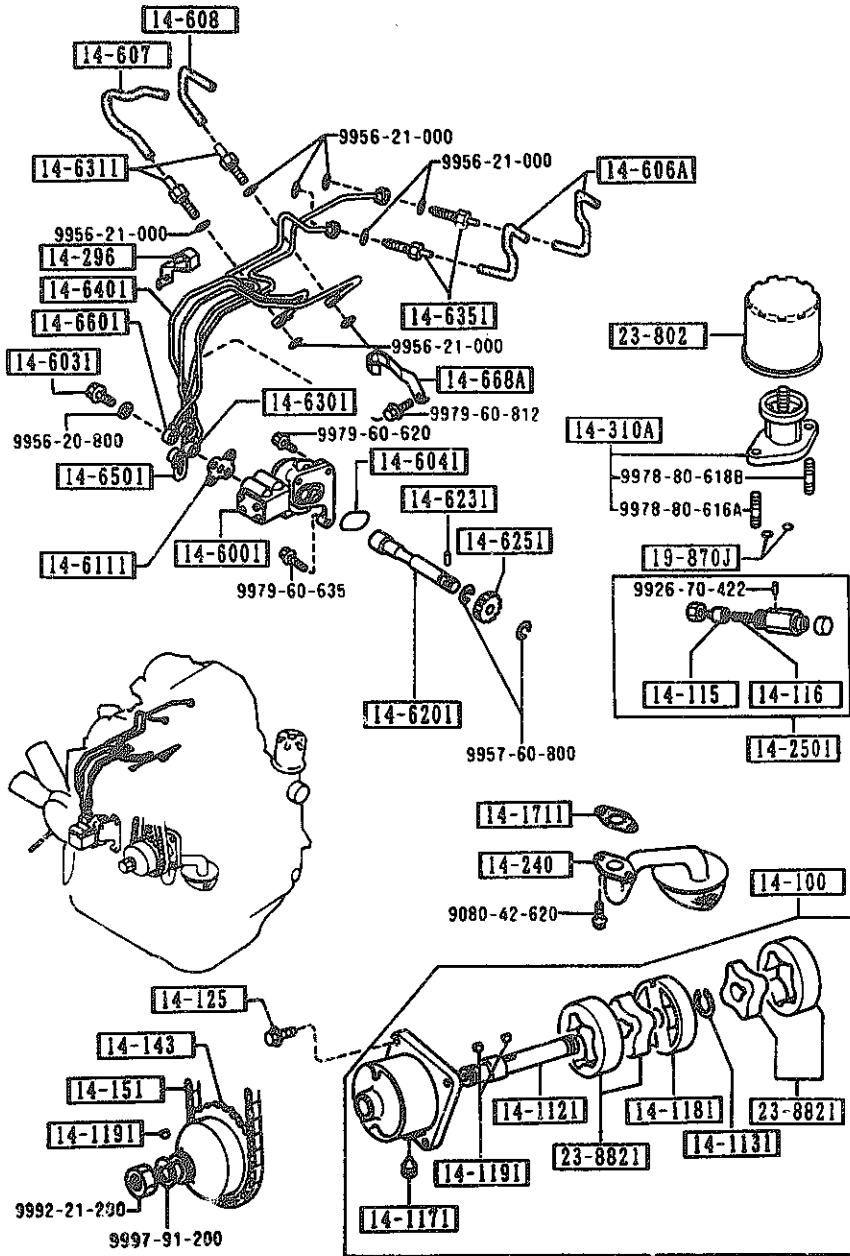
CAT. AUFA02-06

1992-05

1-G-7

1400 OIL PUMP & FILTER (W/O TURBO)

1400 -3 # OIL PUMP & FILTER (W/O TURBO)

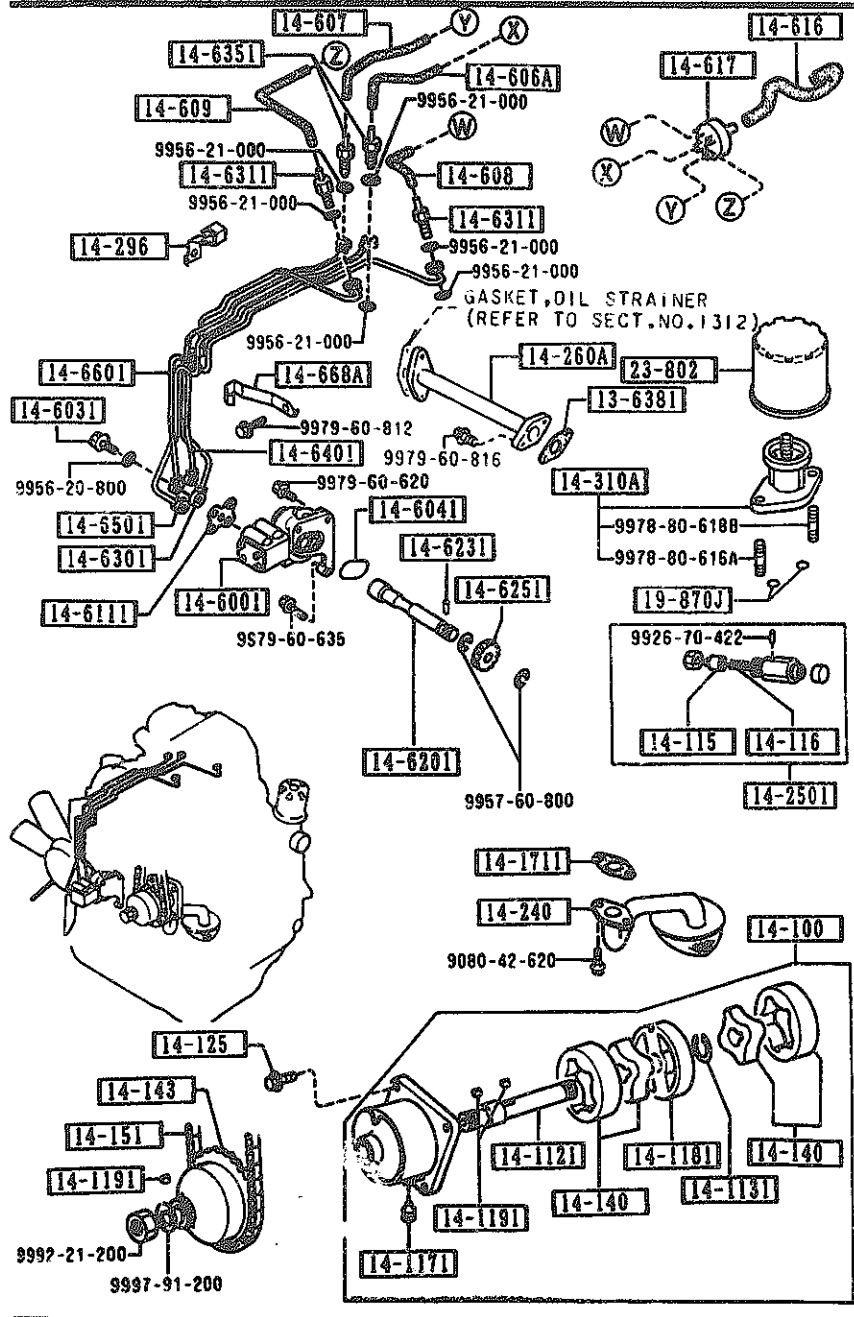


PART NO.	QTY	MODEL/RESTRICTION	MODEL/RESTRICTION	MODEL/RESTRICTION	FROM-TO
14-631I		BOLT,CONNECTOR			
NS18-14-631	2				
14-635I		BOLT,CONNECTOR			
NS18-14-635	2				
14-640I		TUBE,METERING OIL			
NS50-14-670B	1				
14-650I		TUBE,METERING OIL			
NS50-14-680A	1				
14-660I		TUBE,METERING OIL			
NS50-14-690A	1				
14-668A		CLIP,M.OIL TUBE			
NS50-14-668A	1				
19-870J		RING,'O'			
99541-01601	2				
23-802		CARTRIDGE,OIL FILTER			
86Y1-14-302	1				
23-882I		ROTOR SET,OIL PUMP			
NS26-14-140	2				

1-H 7



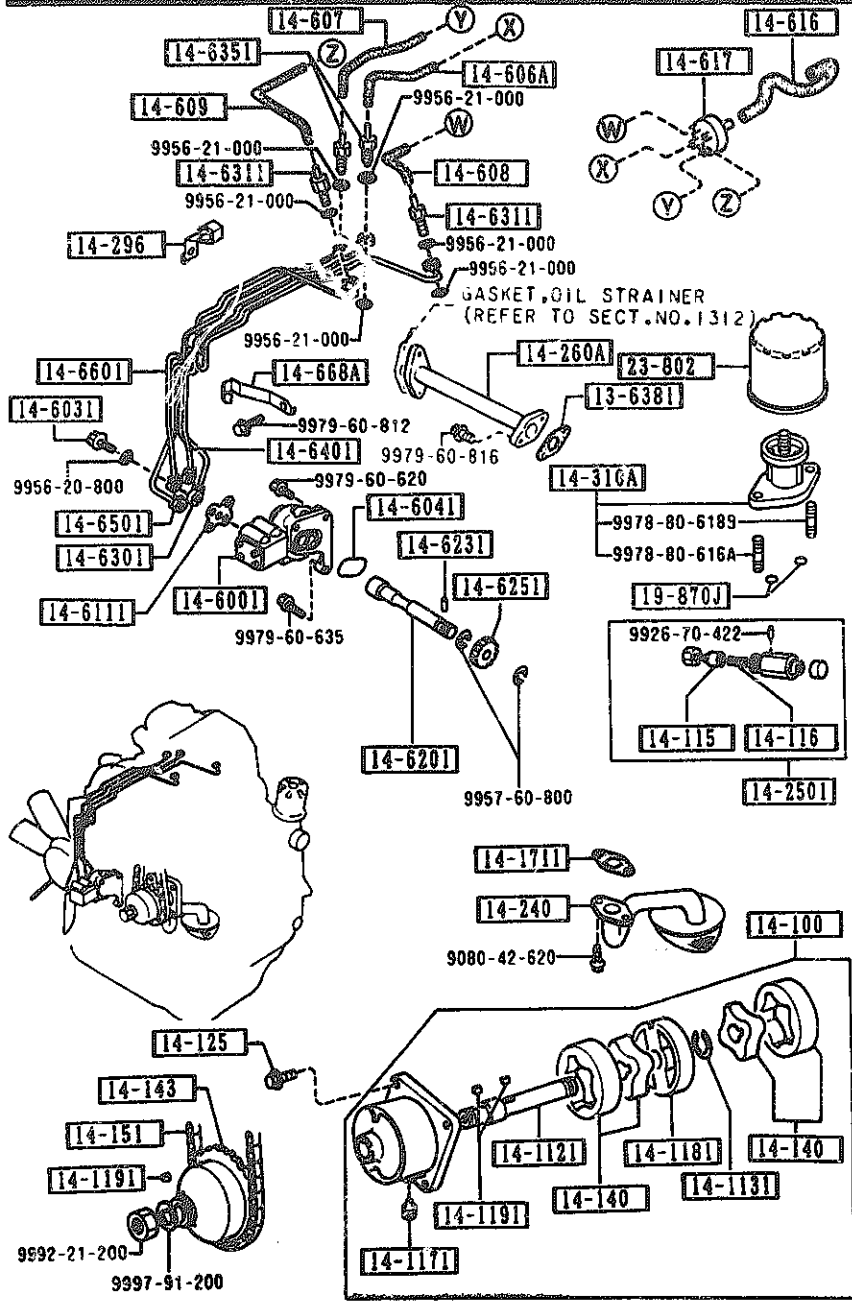
1400 A OIL PUMP & FILTER  
(TURBO)



1400 A-1 OIL PUMP & FILTER  
(TURBO)

PART NO.	QTY	MODEL/RESTRICTION	MODEL/RESTRICTION	MODEL/RESTRICTION	FROM-TO
13-6381		GASKET, OIL PIPE			
N236-13-638	1	ASBESTOS			
14-100		PUMP, OIL			
N318-14-100A	1				
14-1121		SHAFT, OIL PUMP			
N326-14-131	1				
14-1131		RING, SNAP			
0810-14-113	1				
14-115		PLUNGER, CONTROL			
0221-14-115	1				
14-116		SPRING, PRESSURE			
0221-14-116	1				
14-1171		BOLT, LOCK			
N326-14-117	1				
14-1181		PLATE, MIDDLE			
N318-14-135A	1				
14-1191		KEY			
0839-14-1198	3				
14-125		BOLT, SET			
8553-14-125	4				
14-140		ROTOR			
N318-14-140	2				
14-143		WHEEL, SPROCKET			
N326-14-143	1				
14-151		CHAIN, OIL PUMP			
N326-14-151	1				
14-1711		GASKET, OIL STRAINER			

1400 A OIL PUMP & FILTER  
(TURBO)

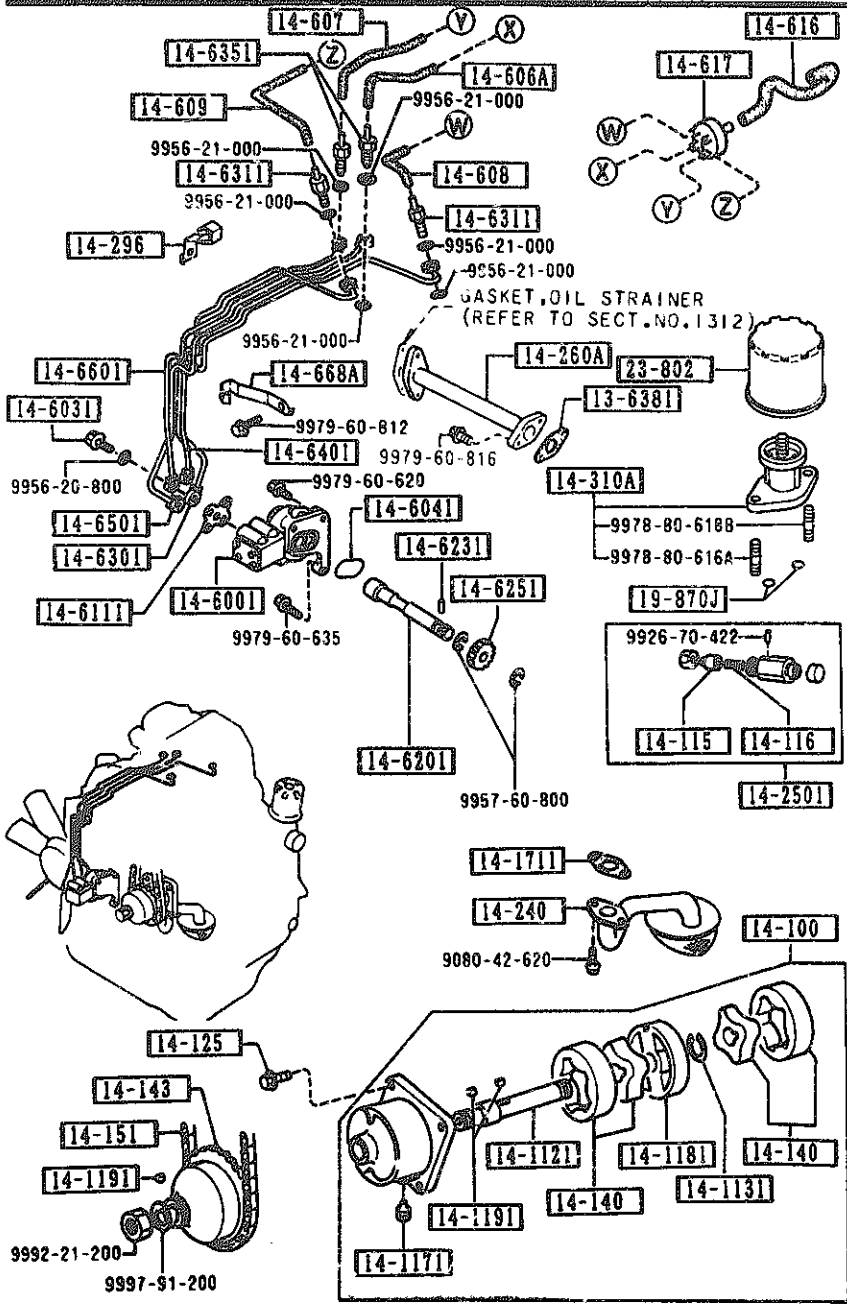


1400 A-2 OIL PUMP & FILTER  
(TURBO)

PART NO.	QTY	MODEL/RESTRICTION	MODEL/RESTRICTION	MODEL/RESTRICTION	FROM-TO
CONT'D 6810-14-171A	1	ASBESTOS			
14-240		STRAINER, OIL			
N326-14-240B	1				
14-2501		REGULATOR, PRESSURE			
3648-14-250	1				
14-260A		PIPE, OIL OUTLET-F. COVER			
N370-14-260A A (N370-14-260B)	1				-9205
N370-14-260B	1				9205-
14-296		CLIP, OIL TUBE			
N370-14-667	1				
14-310A		BODY, OIL FILTER			
8341-14-310	1				
14-6001		PUMP, METERING OIL			
N350-14-600B	1				
14-6031		BOLT, CONNECTOR			
N236-14-603B	4				
14-6041		RING, 'O'			
N350-14-604	1				
14-606A		TUBE NO. 1, AIR			
N370-14-606	1				
14-607		TUBE NO. 2, AIR			
N370-14-607	1				
14-608		TUBE NO. 3, AIR			
N370-14-608	1				
14-609		TUBE NO. 4, AIR			
N370-14-609	1				
9205 FC3MM-702390					

1400 A OIL PUMP & FILTER  
(TURBO)

1400 A-3 OIL PUMP & FILTER  
(TURBO)



PART NO.	QTY	MODEL/RESTRICTION	MODEL/RESTRICTION	MODEL/RESTRICTION	FROM-TO
14-6111		GASKET, METERING OIL			
N350-14-602	1	NON ASBESTOS			
14-616		TUBE, AIR INLET			
N370-14-616A	1				
14-617		CONNECTOR, AIR TUBE			
N326-14-617	1				
14-6201		SHAFT, DRIVEN GEAR			
N350-14-620	1				
14-6231		PIN, DRIVEN GEAR			
0813-14-623	1				
14-6251		GEAR, DRIVEN			
0620-14-625A	1				
14-6301		TUBE, METERING OIL			
N370-14-660A	1				
14-6311		BOLT, CONNECTOR			
N318-14-631	2				
14-6351		BOLT, CONNECTOR			
N318-14-635	2				
14-6401		TUBE, METERING OIL			
N370-14-670A	1				
14-6501		TUBE, METERING OIL			
N370-14-680A	1				
14-6601		TUBE, METERING OIL			
N370-14-690A	1				
14-668A		CLIP, M. OIL TUBE			
N370-14-668A	1				
19-870J		RING, 'O'			

AUFA02

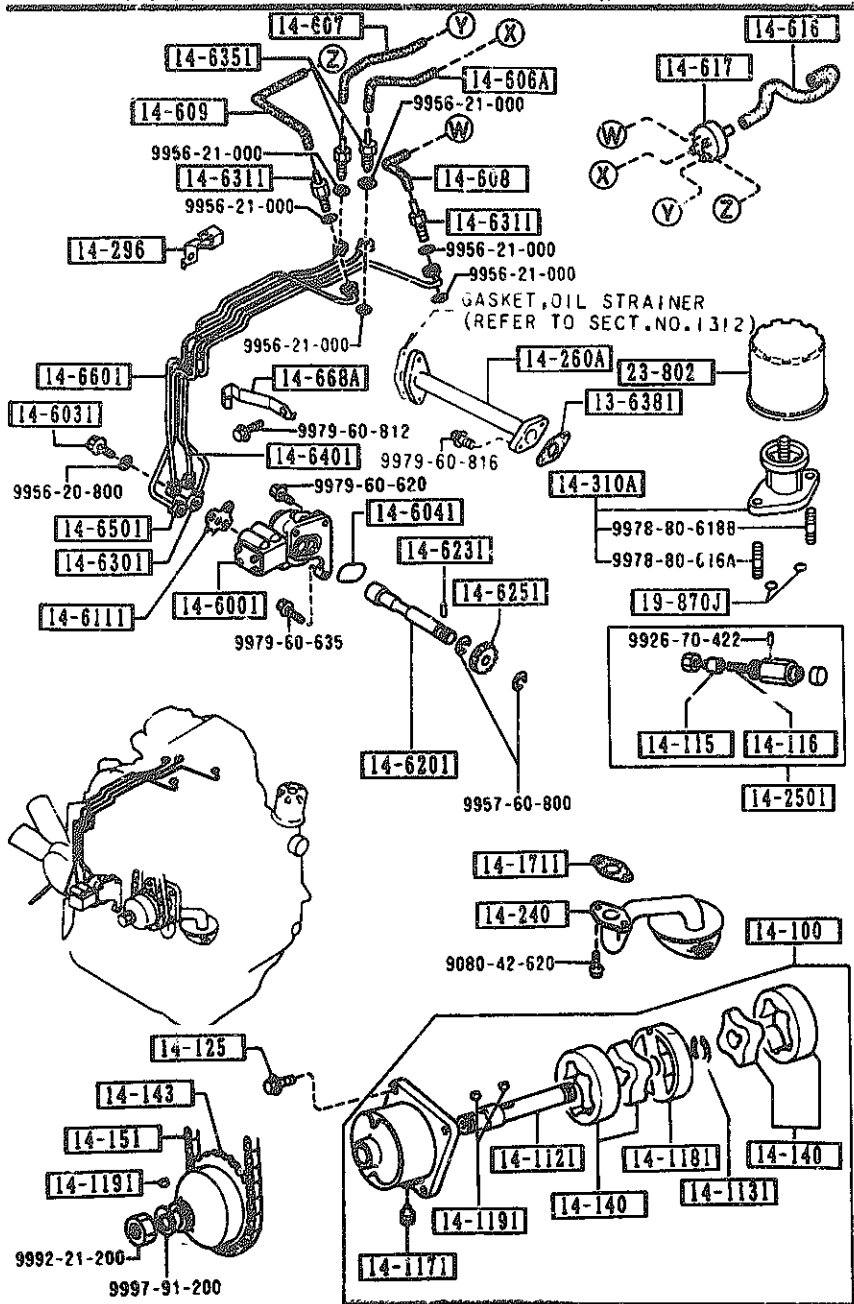
CAT. AUFA02-06

1992-05

1-K 7

1400 A OIL PUMP & FILTER  
(TURBO)

1400 A-4 \* OIL PUMP & FILTER  
(TURBO)



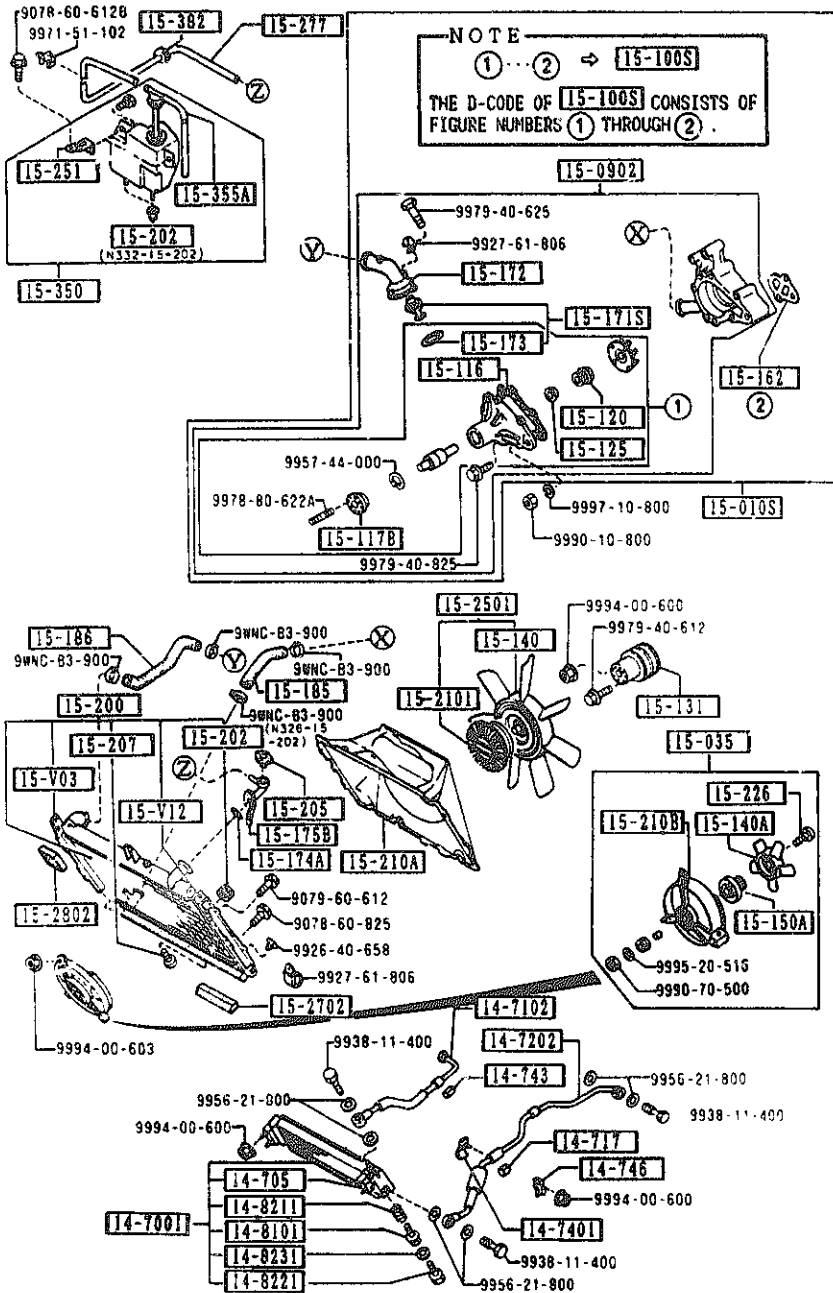
PART NO.	QTY	MODEL/RESTRICTION	MODEL/RESTRICTION	MODEL/RESTRICTION	FPOH-TO
CONT'D 99541-01601	2				
23-802		CARTRIDGE, OIL FILTER			
B6Y1-14-302	1				

AUFA02

CAT. AUFA02-06

1992-05

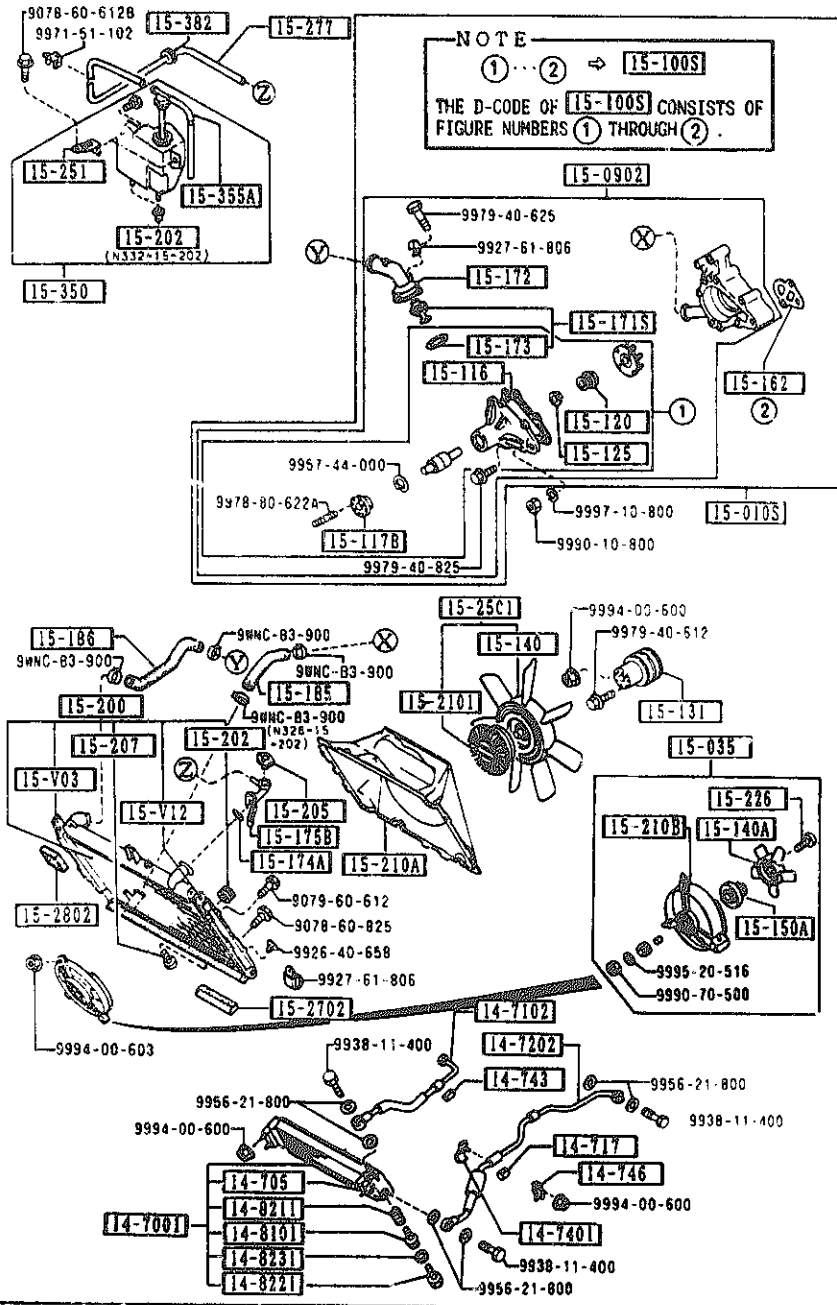
1500 COOLING SYSTEM



PART NO.	QTY	MODEL/RESTRICTION	MODEL/RESTRICTION	MODEL/RESTRICTION	FROM-TO
14-7001		COOLER,OIL			
N326-14-700A	1				
14-705		RUBBER,INSULATION			
N326-14-705	2				
14-7102		HOSE,OIL			
N326-14-710B	1				
14-717		CLIP,OIL HOSE			
N326-14-717B	1				
14-7202		HOSE,OIL			
N326-14-720B	1				
14-7401		BRACKET,OIL HOSE			
N326-14-760B A (N326-14-760C)	1				-0401
N326-14-760C	1				0401-
14-745		PROTECTOR			
N326-14-736	1				
14-746		PROTECTOR			
N326-14-737	1				
14-8101		PELLET,THERMO			
8871-14-810	1				
14-8211		SPRING,PELLET			
1757-14-821	1				
14-8221		NUT,STOPPER			
1757-14-822	1				
14-8231		GASKET			
1757-14-823	1				
15-V03		BRACKET(R),RADIATOR			
N350-15-V03	1				

0401 FC3MM-806597

1500 COOLING SYSTEM



PART NO.	QTY	MODEL/RESTRICTION	MODEL/RESTRICTION	MODEL/RESTRICTION	FROM TO
15-V12		BRACKET(L), RADIATOR			
N350-15-V12	1				
15-010S		PUMP SET, WATER			
8AFB-15-010A	1	((W/O TURBO))<(MT) )			
8AFC-15-010A	1	((W/O TURBO))<(AT) )			
8AFD-15-010	1	(TURBO)			
15-035		FAN, ADDITIONAL			
N350-15-035	1				-9501
AN(N350-15-035A)					
N350-15-035A	1	((W/O TURBO))<(AT) ) (TURBO)			9501-
15-0902		BODY, WATER PUMP			
N370-15-090	1	(TURBO)			
N350-15-090	1				-9113
A (N350-15-090A)					
N351-15-090	1				-9113
A (N351-15-090A)					
N350-15-090A	1	((W/O TURBO))<(MT) )			9113-
N351-15-090A	1	((W/O TURBO))<(AT) )			9113-
15-100S		BODY SET, WATER PUMP			
8AF3-15-100	1				
15-116		GASKET, WATER PUMP ASBESTOS			
N350-15-116	1				
15-117B		HUB, W. PUMP PULLEY			
N350-15-117	1				
15-120		SEAL, WATER-PUMP			
B630-15-120	1				
15-125		PLATE, WATER BAFFLE			
N304-15-125	1				
15-131		PULLEY, WATER PUMP			
N350-15-131	1				
9113 FC3MR-700067 9501 FC3MR-707092					

AUFA02

CAT. AUFA02-06

1992-05

1-N7

## SECTION NAME INDEX (ENGINE)

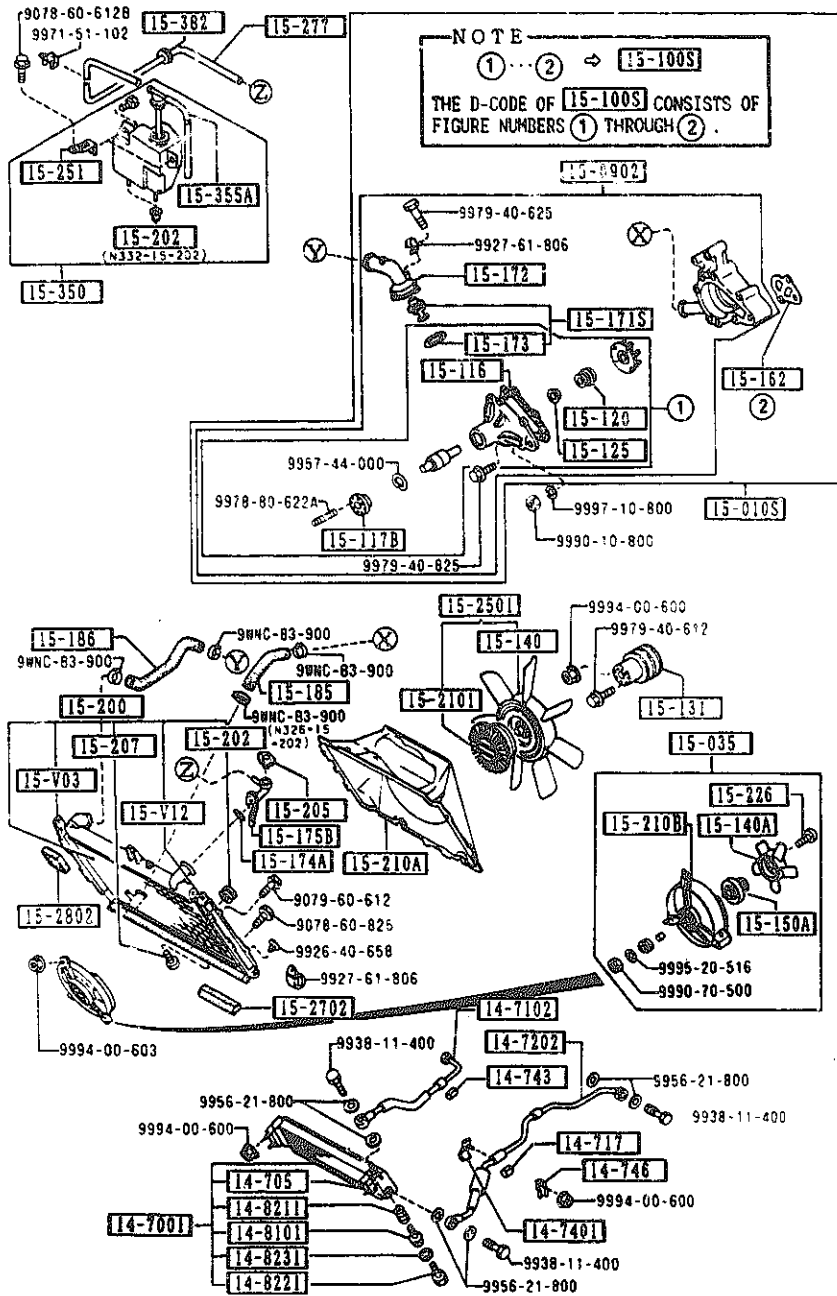
LO.NO	SEC.NO	SECTION NAME	LO.NO	SEC.NO	SECTION NAME	LO.NO	SEC.NO	SECTION NAME
1-C03	1000	SHORT ENGINE & GASKET SETS (W/O TURBO)	1-G11	1840	STARTER			
1-D03	1000 A	SHORT ENGINE & GASKET SETS (TURBO)	1-J11	1850	BATTERY			
1-E03	1030	ROTOR HOUSINGS (W/O TURBO)	1-K11	1910	TORQUE CONVERTER, OIL PUMP & PIPINGS (AUTOMATIC)			
1-G03	1030 A	ROTOR HOUSINGS (TURBO)	1-N11	1920	TRANSMISSION CASE & MAIN CONTROL SYSTEM (AUTOMATIC)			
1-J03	1040	OIL PAN, FRONT & REAR HOUSING (W/O TURBO)	1-I12	1925	CONTROL VALVE (AUTOMATIC)			
1-M03	1040 A	OIL PAN, FRONT & REAR HOUSING (TURBO)	1-D13	1930	CLUTCHES & PLANETARY GEARS (AUTOMATIC)			
1-D04	1100	ECCENTRIC SHAFT & FLYWHEEL	1-L13	1940	GOVERNOR, LOW & REVERSE PISTON (AUTOMATIC)			
1-G04	1110	ROTORS & RELATED PARTS	1-C14	1950	MANUAL LINKAGE SYSTEM (AUTOMATIC)			
1-I04	1300	INLET MANIFOLD	1-E14	1960	GASKET & SEAL KIT (AUTOMATIC)			
1-M04	1310	EXHAUST MANIFOLD						
1-N04	1311	INTER COOLER (TURBO)						
1-C05	1312	TURBO CHARGER (TURBO)						
1-F05	1320	FUEL SYSTEM						
1-H05	1325	FUEL DISTRIBUTOR						
1-I05	1330	AIR CLEANER						
1-M05	1350	STARTING ASSIST SYSTEM						
1-N05	1364	THROTTLE BODY						
1-F06	1371	AIR PUMP & AIR CONTROL VALVE						
1-I06	1380	EMISSION CONTROL SYSTEM						
1-D07	1399	CAP & HOSE CLIP (INLET & EXHAUST SIDE)						
1-F07	1400	OIL PUMP & FILTER (W/O TURBO)						
1-I07	1400 A	OIL PUMP & FILTER (TURBO)						
1-M07	1500	COOLING SYSTEM						
1-F08	158C	BRACKET, PULLEY & BELT						
1-C09	1600	CLUTCH DISC & COVER (MANUAL)						
1-F09	1700	TRANSMISSION CASE (MANUAL)						
1-J09	1710	TRANSMISSION GEARS (MANUAL)						
1-H10	1720	CHANGE CONTROL SYSTEM (MANUAL)						
1-M10	1800	ENGINE ELECTRICAL SYSTEM						
1-E11	1830	ALTERNATOR						

CATLOG-NO= AUFA02-06

DATE. 1992-05

1500 COOLING SYSTEM

1500 -3 COOLING SYSTEM



PART NO.	QTY	MODEL/RESTRICTION	MODEL/RESTRICTION	MODEL/RESTRICTION	FROM-TO
15-140		FAN, COOLING			
N350-15-141	1				
15-140A		FAN, COOLING			
N326-15-142	1	((W/O TURBO))<(AT)< (TURBO)			
15-150A		MOTOR, COOLING FAN			
N326-15-151	1	((W/O TURBO))<(AT)< (TURBO)			
15-162		GASKET			
N350-15-162 A (N326-15-162A)	1	ASBESTOS			-9101
N326-15-162A	1	ASBESTOS			9101-
15-171S		THERMOSTAT SET			
8AF3-15-171	1				
15-172		COVER, THERMOSTAT			
N350-15-172	1				
15-173		GASKET, THERMOSTAT CO VER NON ASBESTOS			
N350-15-173	1				
15-174A		RING			
N350-15-174A	1				
15-175B		BODY, FILLER CAP			
N350-15-175	1				
15-185		HOSE, WATER			
N350-15-185	1				
15-186		HOSE, WATER			
N350-15-186	1				
15-200		RADIATOR			
N350-15-200	1 (MT)				
N351-15-200 A (N351-15-200A)	1				-0201
9101 FC3***-700067 0201 FC3***-806074					

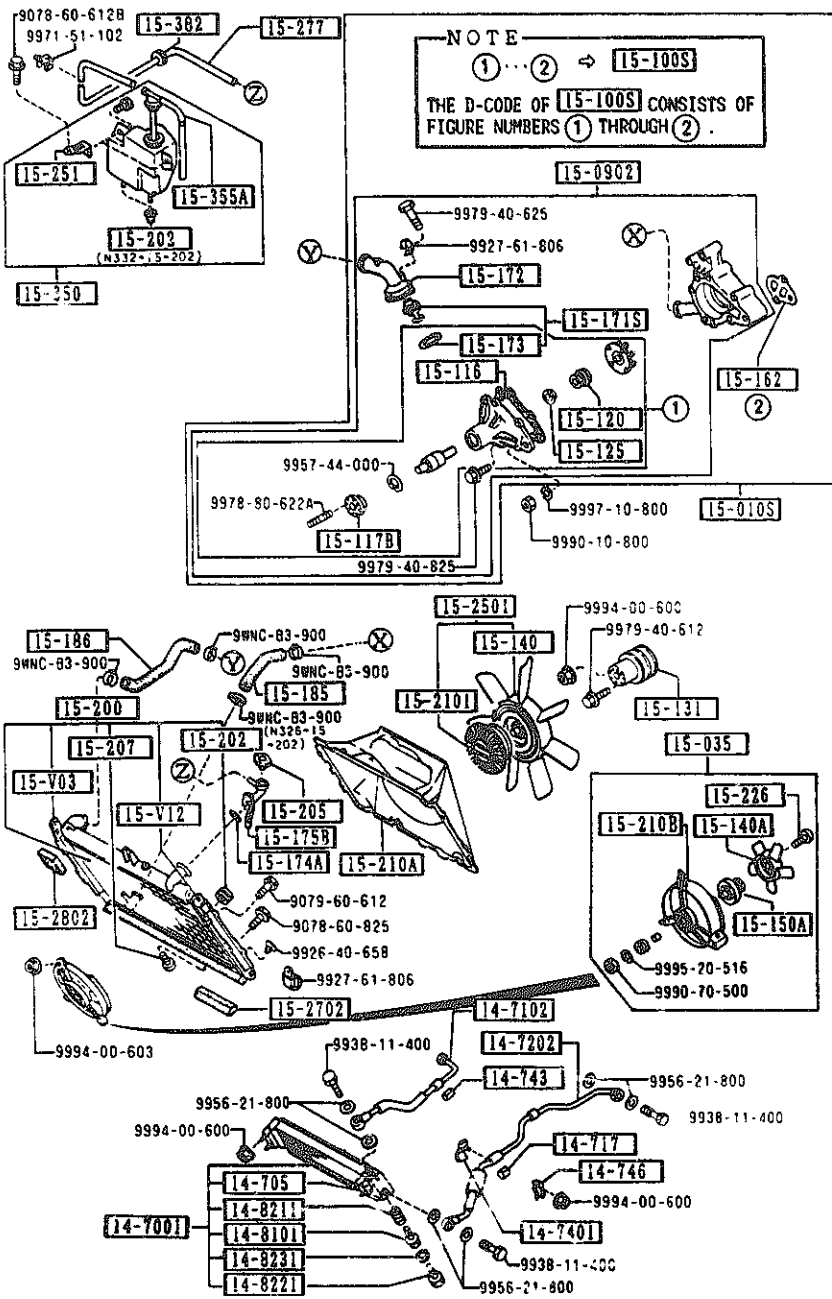
AUFA02

CAT. AUFA02-06

1992-05

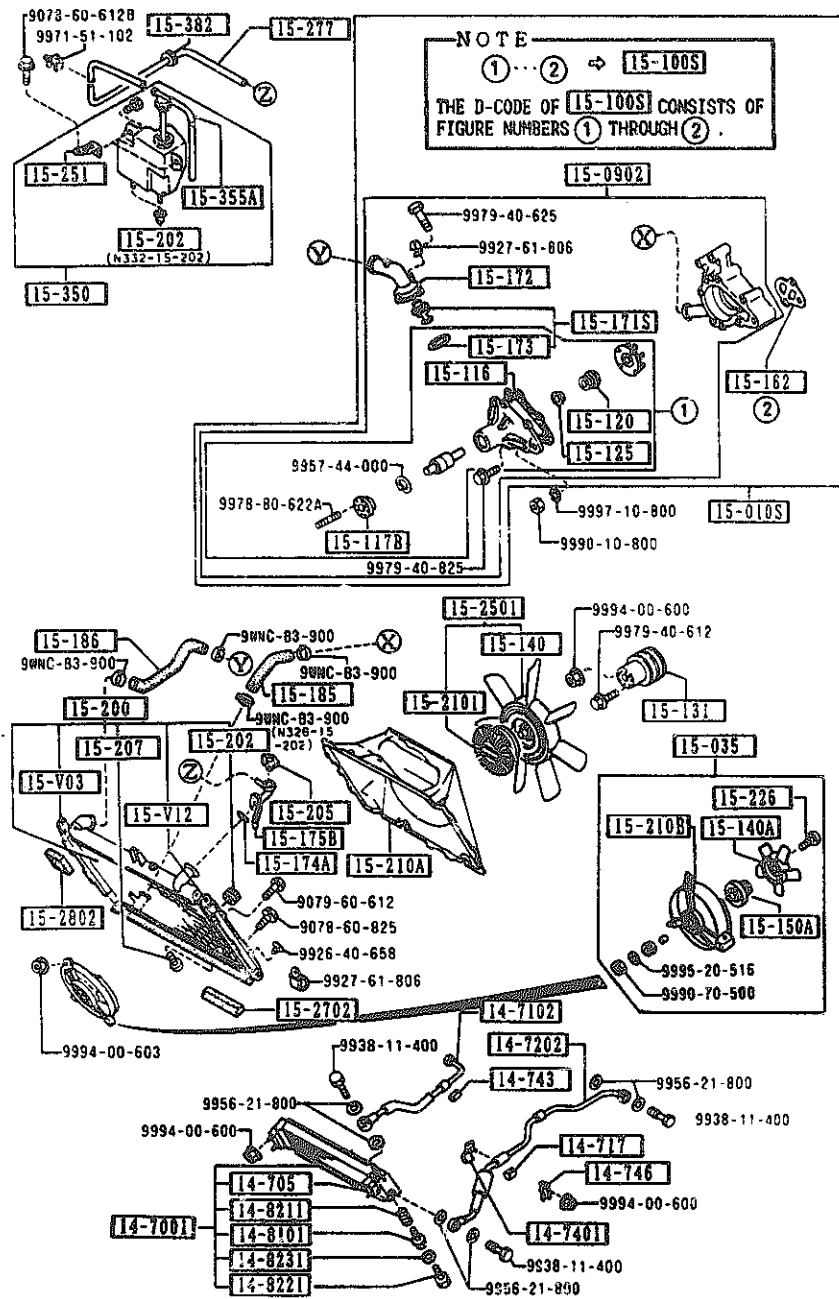


1500 COOLING SYSTEM



PART NO.	QTY	MODEL/RESTRICTION	MODEL/RESTRICTION	MODEL/RESTRICTION	FROM-TO
CONT'D					
N351-15-200A	1	(AT)			0201-
15-202		RUBBER, MOUNT			
N326-15-202	4				
N332-15-202	2				
15-205		CAP, RADIATOR			
N350-15-205	1				
15-207		COCK, DRAIN			
N326-15-203	1				
15-210A		COWLING, RADIATOR			
N350-15-211	1				
15-210B		COWLING, FAN			
N350-15-15X AN(N350-15-15XA)	1				-9501
N350-15-15XA	1	((W/O TURBO))>(AT) <(TURBO)			9501-
15-210I		FAN DRIVE			
N350-15-150	1				
15-226		BOLT			
N326-15-153	3	((W/O TURBO))>(AT) <(TURBO)			
15-250I		FAN & FAN DRIVE			
N350-15-140	1				
15-251		BRACKET, SUB TANK			
N332-15-370B	2				
15-2702		SEAL(L), RADIATOR			
N326-15-441	1				
15-277		HOSE, WATER SUB TANK			
N350-15-381	1				
15-2802		SEAL(R), RADIATOR			
N326-15-421	1				
9501 FC3***-707092					
0201 FC3***-806074					

1500 COOLING SYSTEM



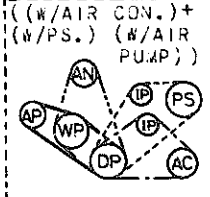
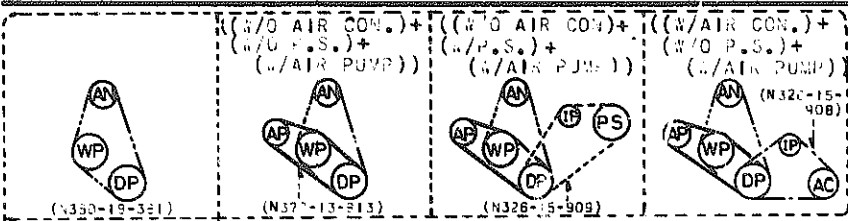
PART NO.	QTY	MODEL/RESTRICTION	MODEL/RESTRICTION	MODEL/RESTRICTION	FROM-TO
[15-350] N332-15-350B	1	TANK, SUB-RADIATOR			
[15-355A] N332-15-355	1	CAP, SUB TANK			
[15-382] N332-15-382	1	PROTECTOR, HOSE-SUB TANK			

AUFA02

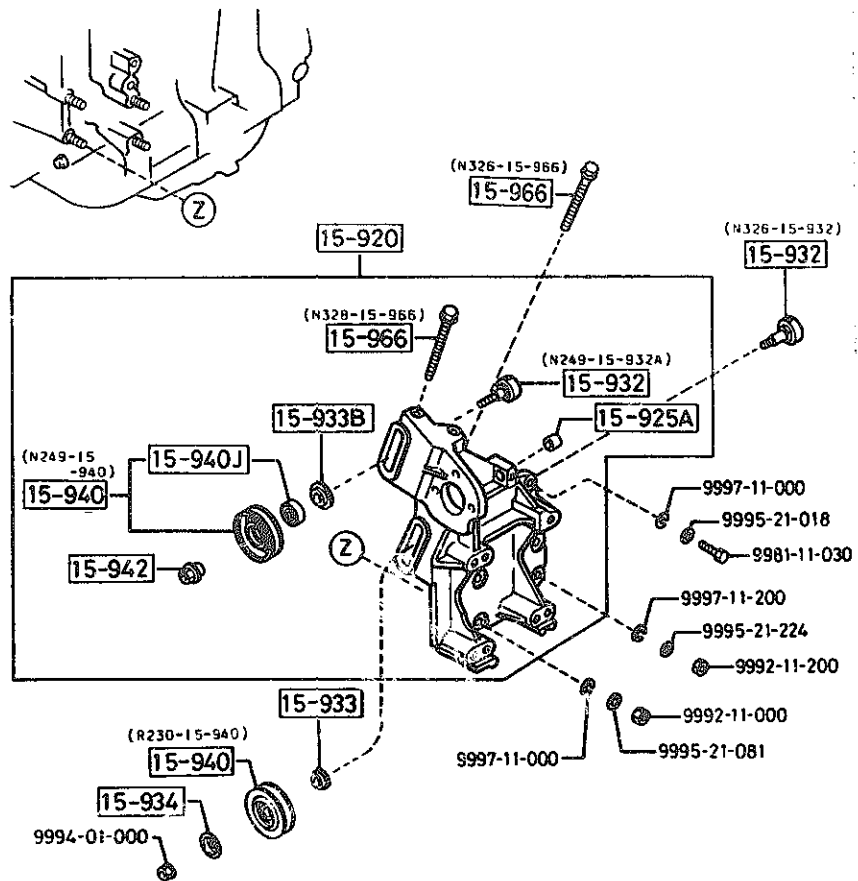
CAT. AUFA02-06

1992-05

1580 BRACKET,PULLEY & BELT



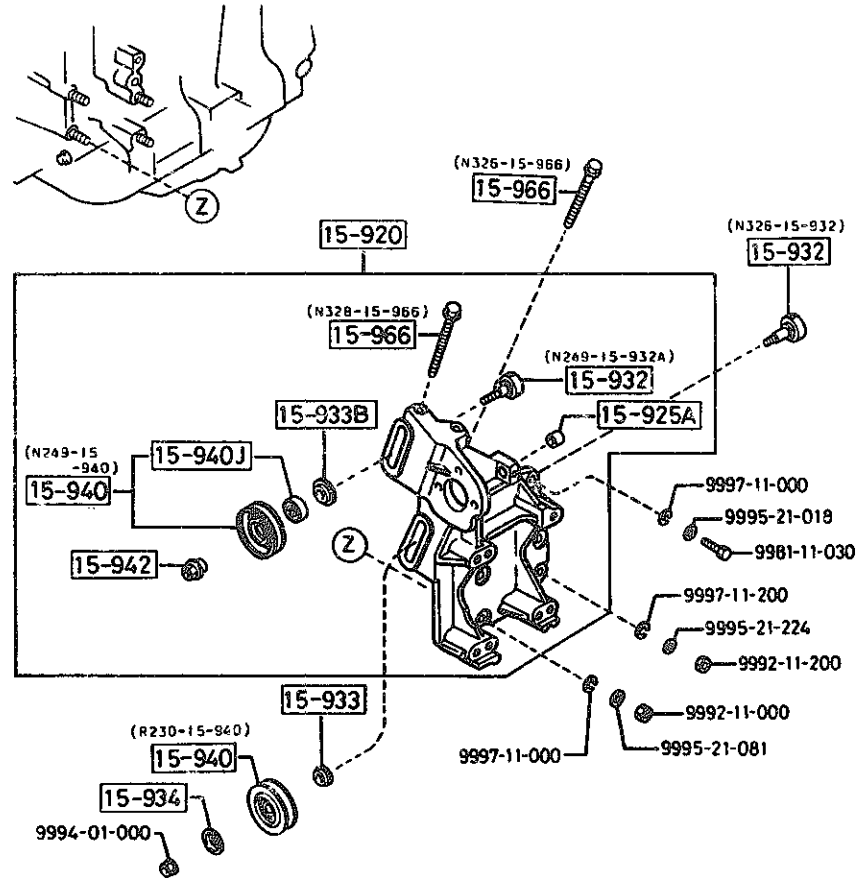
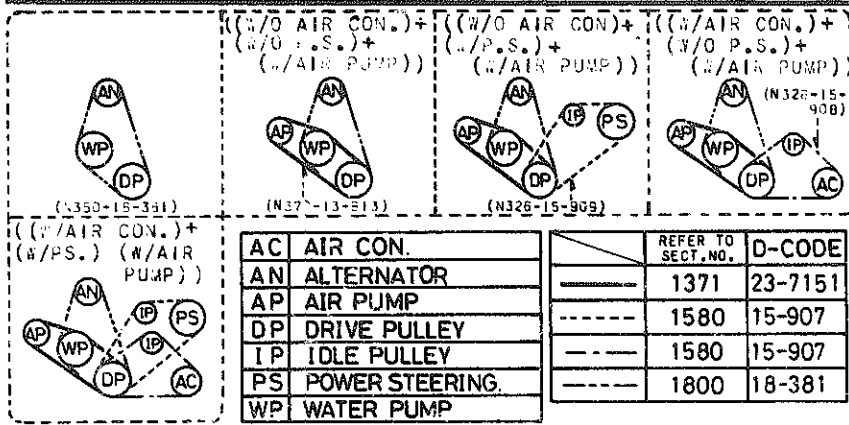
AC	AIR CON.	REFER TO SECT.NO.	D-CODE
AN	ALTERNATOR	1371	23-7151
AP	AIR PUMP	1580	15-907
DP	DRIVE PULLEY	1580	15-907
IP	IDLE PULLEY	1580	15-907
PS	POWER STEERING	1800	18-381
WP	WATER PUMP		



PART NO.	QTY	MODEL/RESTRICTION	MODEL/RESTRICTION	MODEL/RESTRICTION	FROM-TO
15-907		BELT,V			
N326-15-908	1	L=965MM V BELT (W/AIR CON.-JAPAN MAKE)			
N326-15-909	1	L=1055MM V BELT (W/P.S.)			
15-920		BRACKET,COMPRESSOR			
N326-15-910B	1	TURBO, (W/AIR CON.-JAPAN MAKE,W/P.S.)			-0201
N327-15-910B	1	GTU, GTUS, GXL, CONV (W/O AIR CON.W/P.S.)			-0201
N326-15-910B	1	(W/P.S.)			0201-
15-925A		BUSH			
N326-15-812	1				
15-932		SHAFT,PULLEY			
N249-15-932A	1	(W/P.S.)			
N326-15-932	1	(W/AIR CON.-JAPAN MAKE)			
15-933		COLLAR,COMP.BRKT			
N326-15-933	1	(W/AIR CON.-JAPAN MAKE)			
15-933B		SPACER			
N249-15-933	1	(W/P.S.)			
15-934		COVER,DUST			
N326-15-934	1	(W/AIR CON.-JAPAN MAKE)			
15-940		PULLEY,IDLE			
N249-15-940	1	(W/P.S.)			
R230-15-940	1	(W/AIR CON.-JAPAN MAKE)			
15-940J		BEARING			
99606-22030	1	(W/P.S.)			

0201 FC3\*\*\*-806074

1580 BRACKET,PULLEY & BELT



PART NO.	QTY	MODEL/RESTRICTION	MODEL/RESTRICTION	MODEL/RESTRICTION	FROM-TO
15-942					
N269-15-942	1	COLLAR, COMP. BRKT-PULLEY (W/P.S.)			
15-966					
N326-15-966	1	BOLT, ADJUST TURBO, (W/AIR CON.-JAPAN MAKE, W/P.S.)			
N328-15-966	1	(W/P.S.)			

## SECTION NAME INDEX (ENGINE)

LO.NO	SEC.NO	SECTION NAME	LO.NO	SEC.NO	SECTION NAME	LO.NO	SEC.NO	SECTION NAME
1-C03	1000	SHORT ENGINE & GASKET SETS (W/O TURBO)	1-G11	1840	STARTER			
1-D03	1000 A	SHORT ENGINE & GASKET SETS (TURBO)	1-J11	1850	BATTERY			
1-E03	1030	ROTOR HOUSINGS (W/O TURBO)	1-K11	1910	TORQUE CONVERTER, OIL PUMP & PIPINGS (AUTOMATIC)			
1-G03	1030 A	ROTOR HOUSINGS (TURBO)	1-N11	1920	TRANSMISSION CASE & MAIN CONTROL SYSTEM (AUTOMATIC)			
1-J03	1040	OIL PAN, FRONT & REAR HOUSING (W/O TURBO)	1-I12	1925	CONTROL VALVE (AUTOMATIC)			
1-M03	1040 A	OIL PAN, FRONT & REAR HOUSING (TURBO)	1-D13	1930	CLUTCHES & PLANETARY GEARS (AUTOMATIC)			
1-D04	1100	ECCENTRIC SHAFT & FLYWHEEL	1-L13	1940	GOVERNOR, LOW & REVERSE PISTON (AUTOMATIC)			
1-G04	1110	ROTORS & RELATED PARTS	1-C14	1950	MANUAL LINKAGE SYSTEM (AUTOMATIC)			
1-I04	1300	INLET MANIFOLD	1-E14	1960	GASKET & SEAL KIT (AUTOMATIC)			
1-M04	1310	EXHAUST MANIFOLD						
1-N04	1311	INTER COOLER (TURBO)						
1-C05	1312	TURBO CHARGER (TURBO)						
1-F05	1320	FUEL SYSTEM						
1-H05	1325	FUEL DISTRIBUTOR						
1-I05	1330	AIR CLEANER						
1-M05	1350	STARTING ASSIST SYSTEM						
1-N05	1364	THROTTLE BODY						
1-F06	1371	AIR PUMP & AIR CONTROL VALVE						
1-I06	1380	EMISSION CONTROL SYSTEM						
1-D07	1399	CAP & HOSE CLIP (INLET & EXHAUST SIDE)						
1-F07	1400	OIL PUMP & FILTER (W/O TURBO)						
1-I07	1400 A	OIL PUMP & FILTER (TURBO)						
1-M07	1500	COOLING SYSTEM						
1-F08	1580	BRACKET, PULLEY & BELT						
1-C09	1600	CLUTCH DISC & COVER (MANUAL)						
1-F09	1700	TRANSMISSION CASE (MANUAL)						
1-J09	1710	TRANSMISSION GEARS (MANUAL)						
1-H10	1720	CHANGE CONTROL SYSTEM (MANUAL)						
1-M10	1800	ENGINE ELECTRICAL SYSTEM						
1-E11	1830	ALTERNATOR						

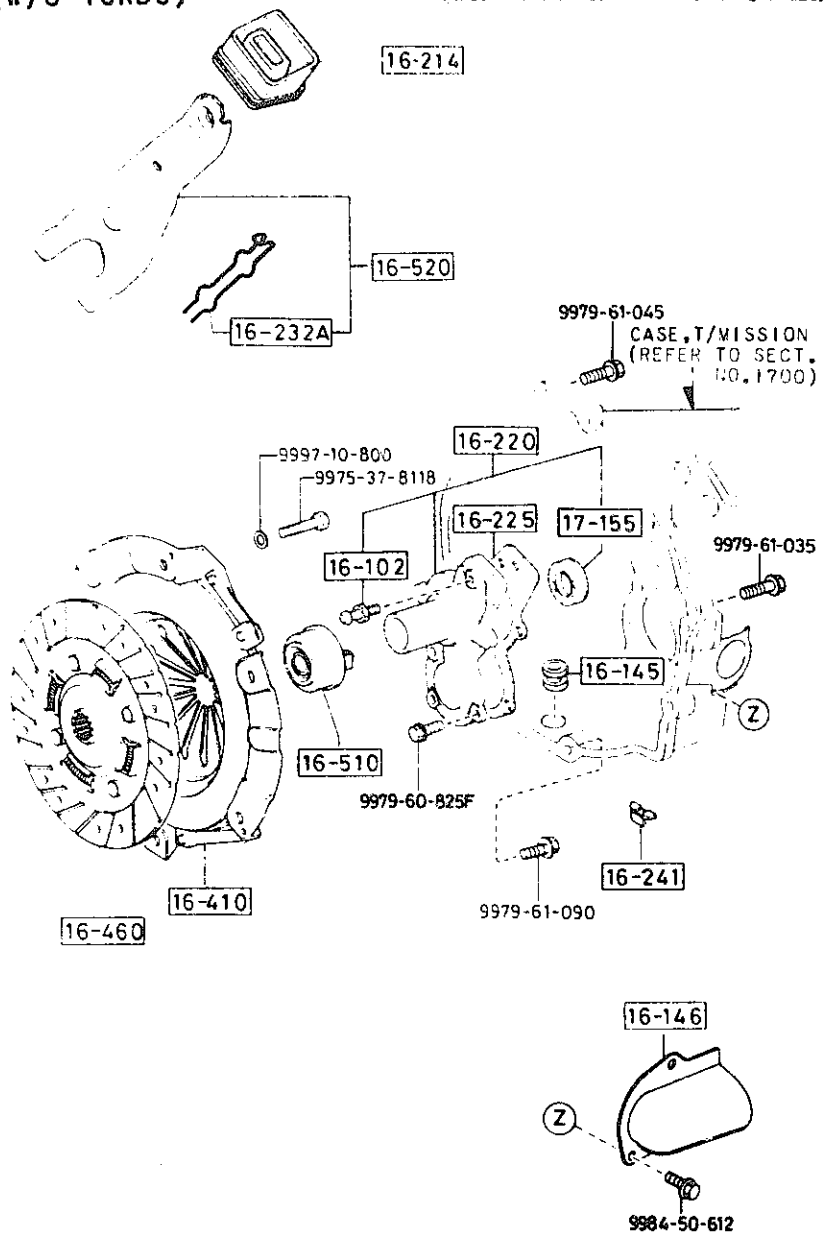
CATLOG-NO= AUFA02-06

DATE, 1992-05

1-B 9

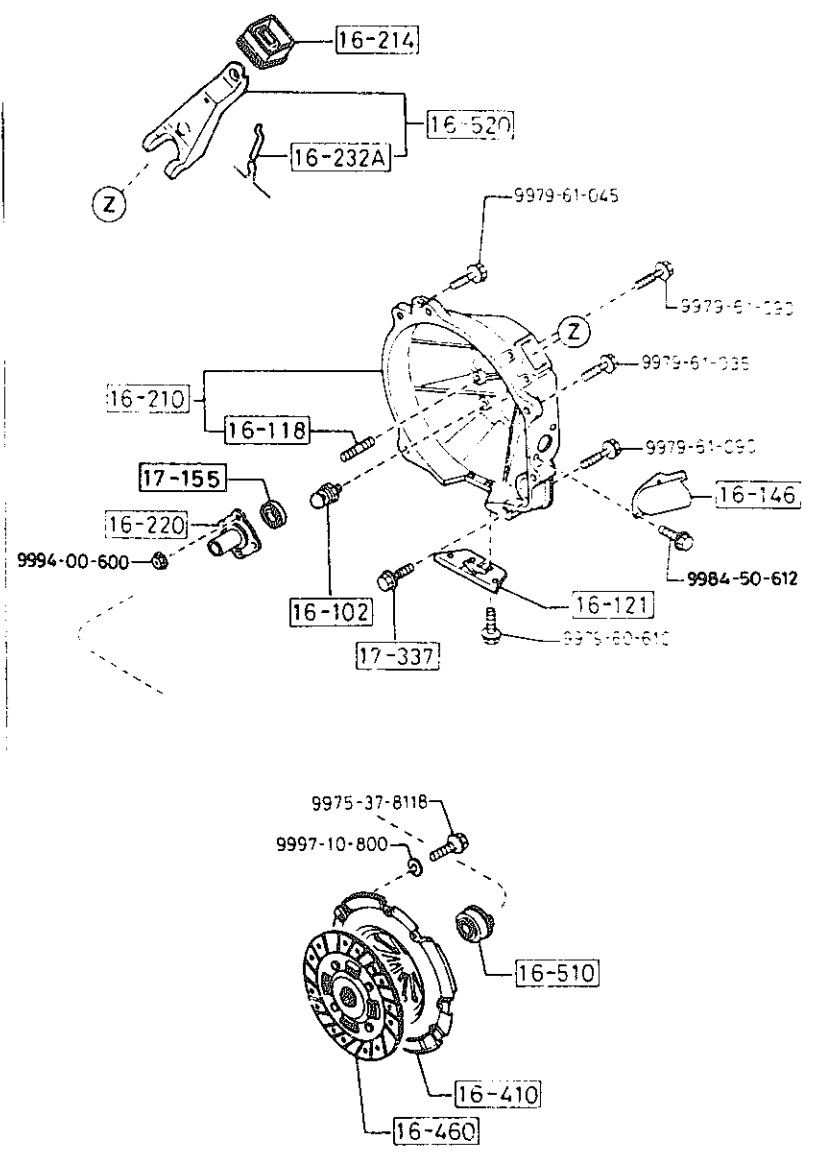
(W/O TURBO)

(THIS ILLUSTRATION CONSISTS OF 2 PAGES)



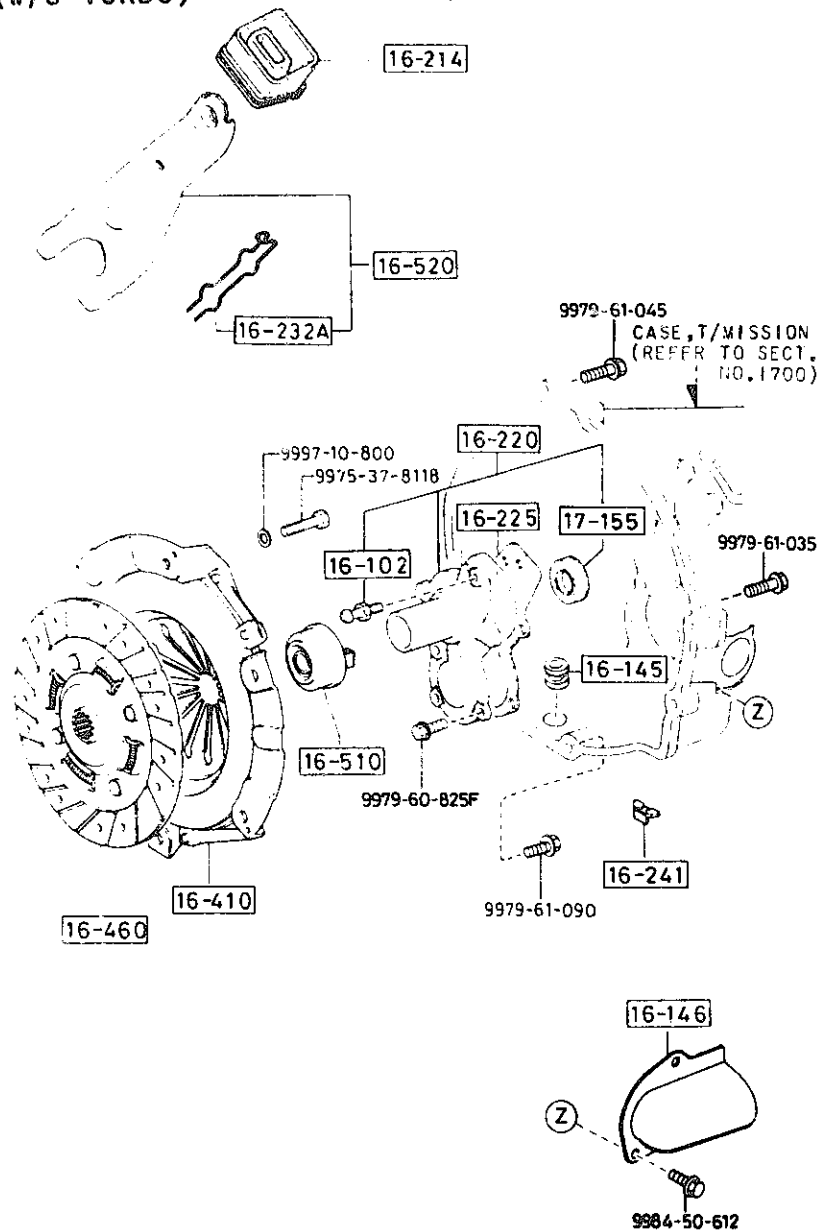
(TURBO)

(THIS ILLUSTRATION CONSISTS OF 2 PAGES)



(W/O TURBO)

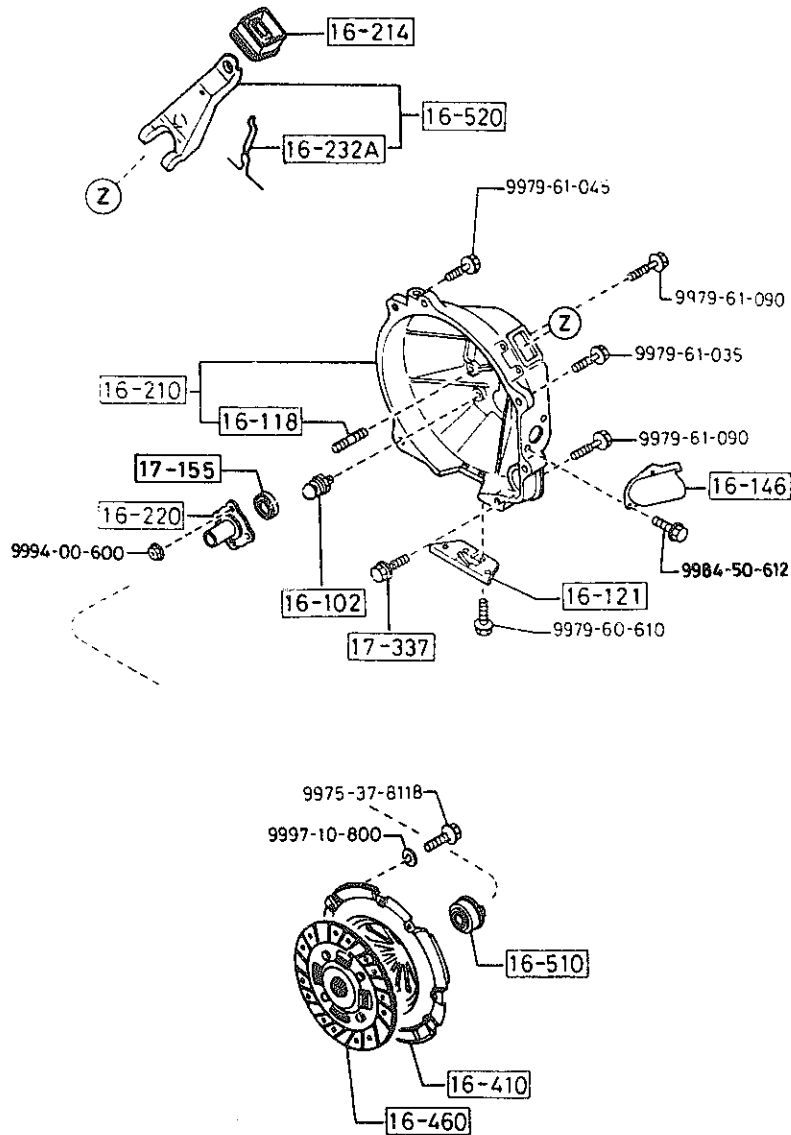
(THIS ILLUSTRATION CONSISTS OF 2 PAGES)



PART NO.	QTY	MODEL/RESTRICTION	MODEL/RESTRICTION	MODEL/RESTRICTION	FROM-TO
16-102		PIN, PIVOT-CLUTCH REL. FORK			
N310-16-102	1	(TURBO)			
0603-16-102B	1	(W/O TURBO)			
16-118		STUD, CLUTCH HOUSING			
N302-16-118A	4	(TURBO)			
16-121		COVER, UNDER CLUTCH HOUSING			
N302-16-140	1	(TURBO)			
16-145		RUBBER, SEAL			
N204-16-145	1	(W/O TURBO)			
16-146		COVER, VENT.			
N302-16-150B	1				
16-210		HOUSING, CLUTCH			
N310-16-210	1	(TURBO)			
16-214		COVER, DUST-CLUTCH FORK			
N302-16-214	1	(TURBO)			
3975-16-214A	1	(W/O TURBO)			
16-220		COVER, FRONT CLUTCH			
N309-16-220	1	(W/O TURBO)			
JF07-16-221	1	(TURBO)			
16-225		GASKET, FRONT COVER			
8540-16-225	1	(W/O TURBO)			
16-232A		SUPPORTER, FORK			
F214-16-232	1	(TURBO)			
1416-16-232A	1	(W/O TURBO)			
16-241		PLUG, BLIND			
8540-16-241A	1	(W/O TURBO)			
16-410		COVER, CLUTCH			
N309-16-410B	1	(W/O TURBO)			
N310-16-410A	1	(TURBO)			

(TURBO)

(THIS ILLUSTRATION CONSISTS OF 2 PAGES)



PART NO.	QTY	MODEL/RESTRICTION	MODEL/RESTRICTION	MODEL/RESTRICTION	FROM-TO
16-460		DISC, CLUTCH			
N309-16-460B	1	NON ASBESTOS (W/O TURBO)			
N310-16-460A	1	NON ASBESTOS (TURBO)			
16-510		COLLAR, CLUTCH REL.			
N309-16-510	1				
16-520		FORK, CLUTCH RELEASE			
N302-16-520	1	(W/O TURBO)			
N310-16-520	1	(TURBO)			
17-155		SEAL, OIL			
H501-17-103	1				
17-337		BOLT			
R401-17-337A	10	(TURBO)			

1-E-9

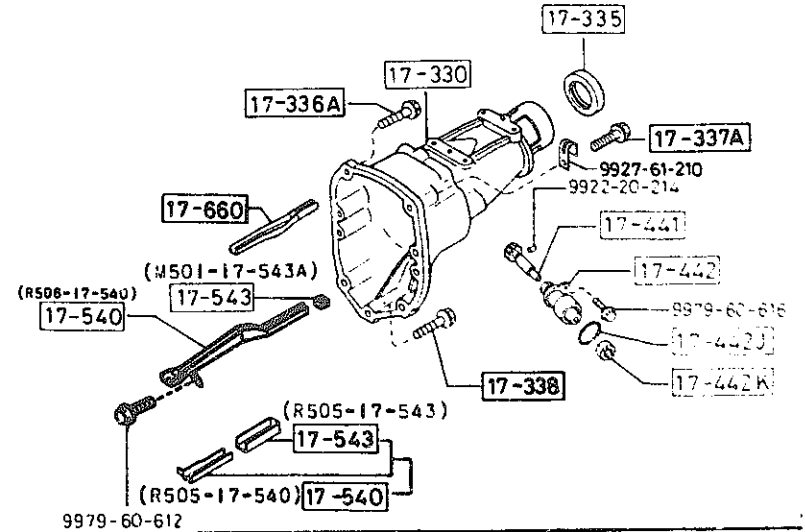
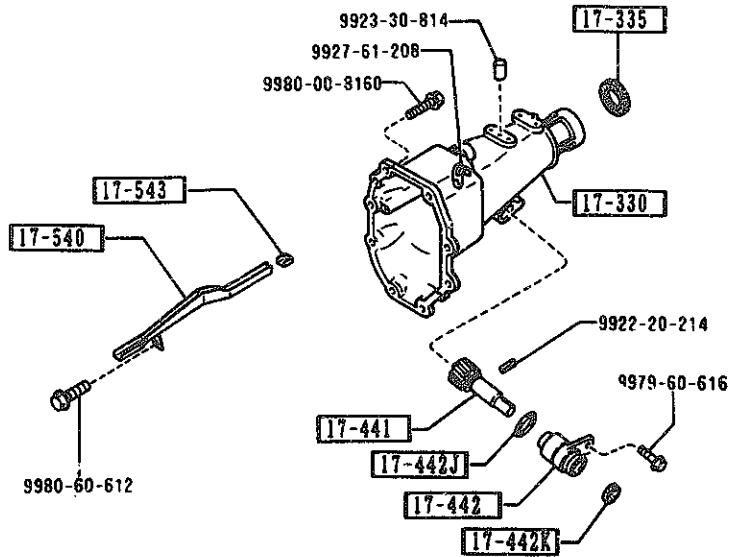
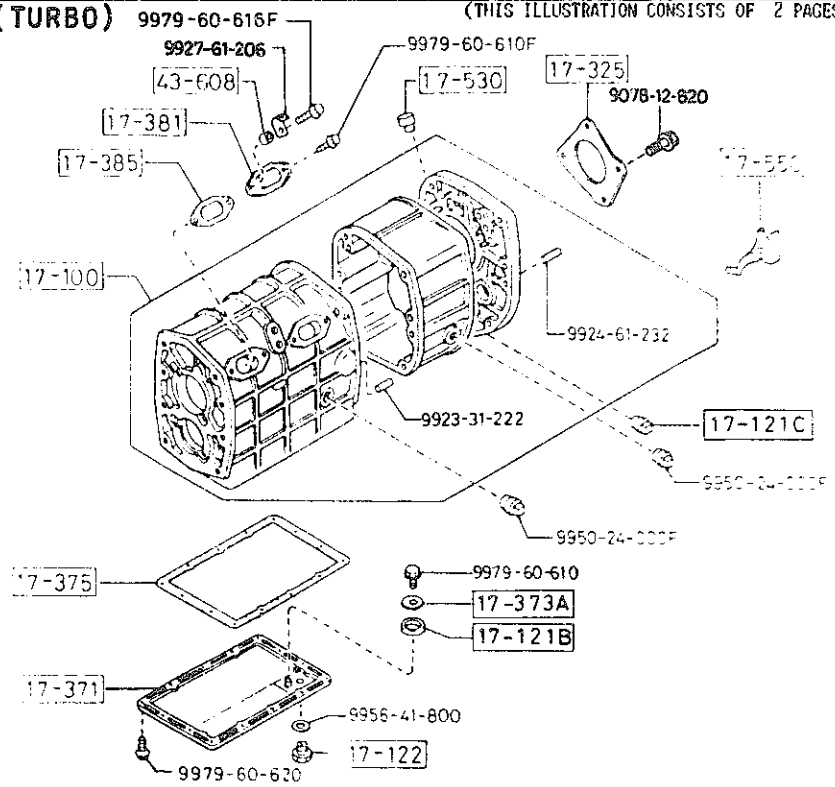
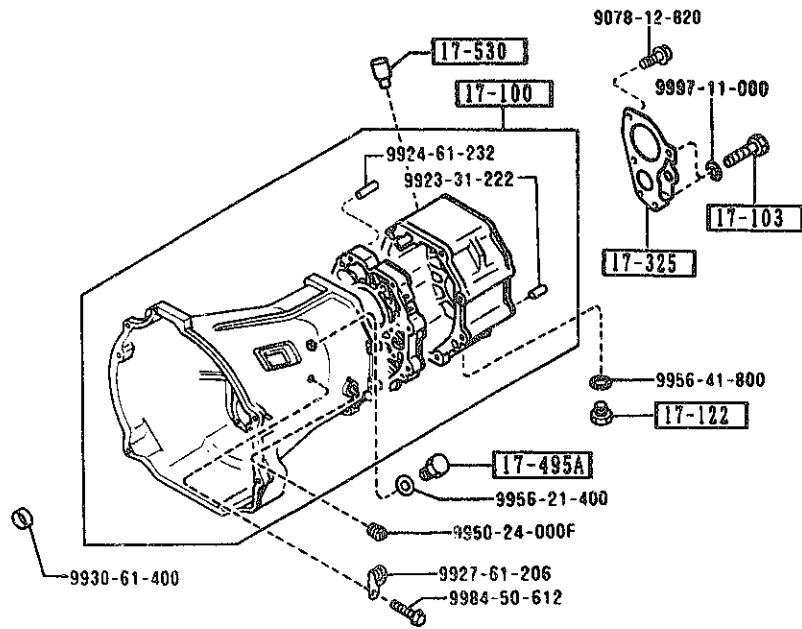


(W/O TURBO)

(THIS ILLUSTRATION CONSISTS OF 2 PAGES)

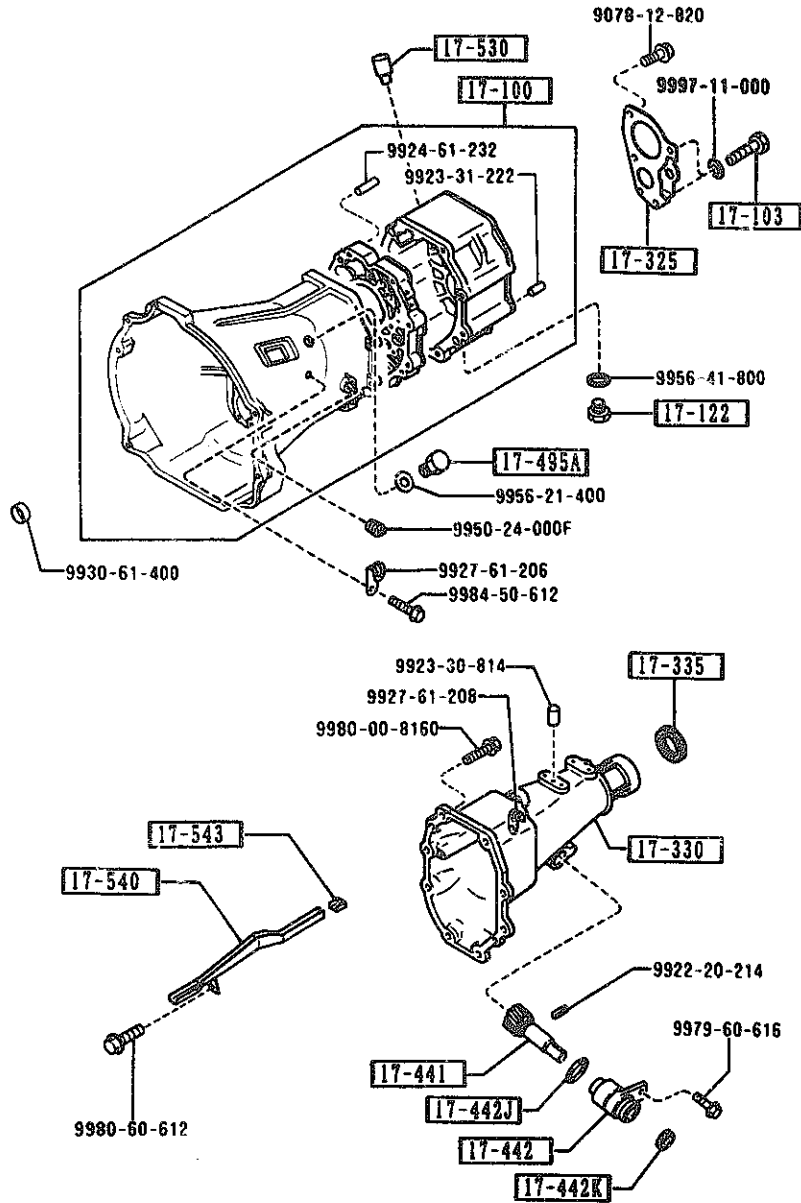
(TURBO)

(THIS ILLUSTRATION CONSISTS OF 2 PAGES)



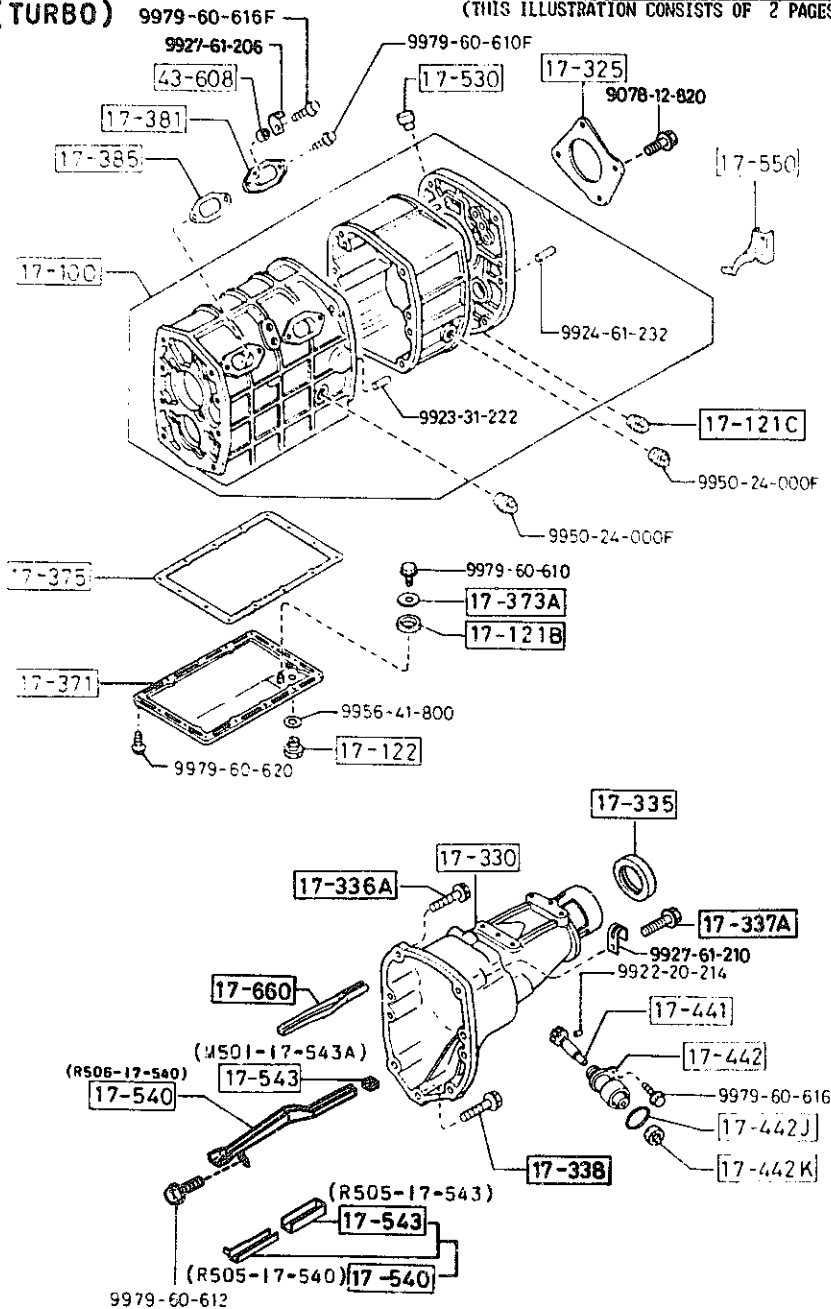
(W/O TURBO)

(THIS ILLUSTRATION CONSISTS OF 2 PAGES)



PART NO.	QTY	MODEL/RESTRICTION	MODEL/RESTRICTION	MODEL/RESTRICTION	FROM TO
17-100		CASE, T/MISSION			
M525-17-100	1	(W/O TURBO)			
R505-17-200A A (R505-17-200B)	1				-0401
R505-17-200B	1	(TURBO)			0401-
17-103		BOLT			
M501-17-103	2	(W/O TURBO)			
17-121B		MAGNET			
B501-17-121	1	(TURBO)			
17-121C		PLUG, MAGNET			
O107-17-121	1	(TURBO)			
17-122		PLUG, MAGNET			
U610-17-121	1				
17-325		COVER, BEARING			
O884-17-325B	1	(TURBO)			
M501-17-370A	1	(W/O TURBO)			
17-330		HOUSING, EXTENSION			
M520-17-330A	1	(W/O TURBO)			
R523-17-330A	1	(TURBO)			
17-335		SEAL, OIL			
M502-17-335A	1	(TURBO)			
M507-17-335	1	(W/O TURBO)			
17-336A		BOLT			
R505-17-337	5	(TURBO)			
17-337A		BOLT			
R504-17-337	1	(TURBO)			
17-338		BOLT			
R502-17-338	1	(TURBO)			
17-371		COVER, UNDER			
0401 FC3RHH-806597					

(TURBO) (THIS ILLUSTRATION CONSISTS OF 2 PAGES)

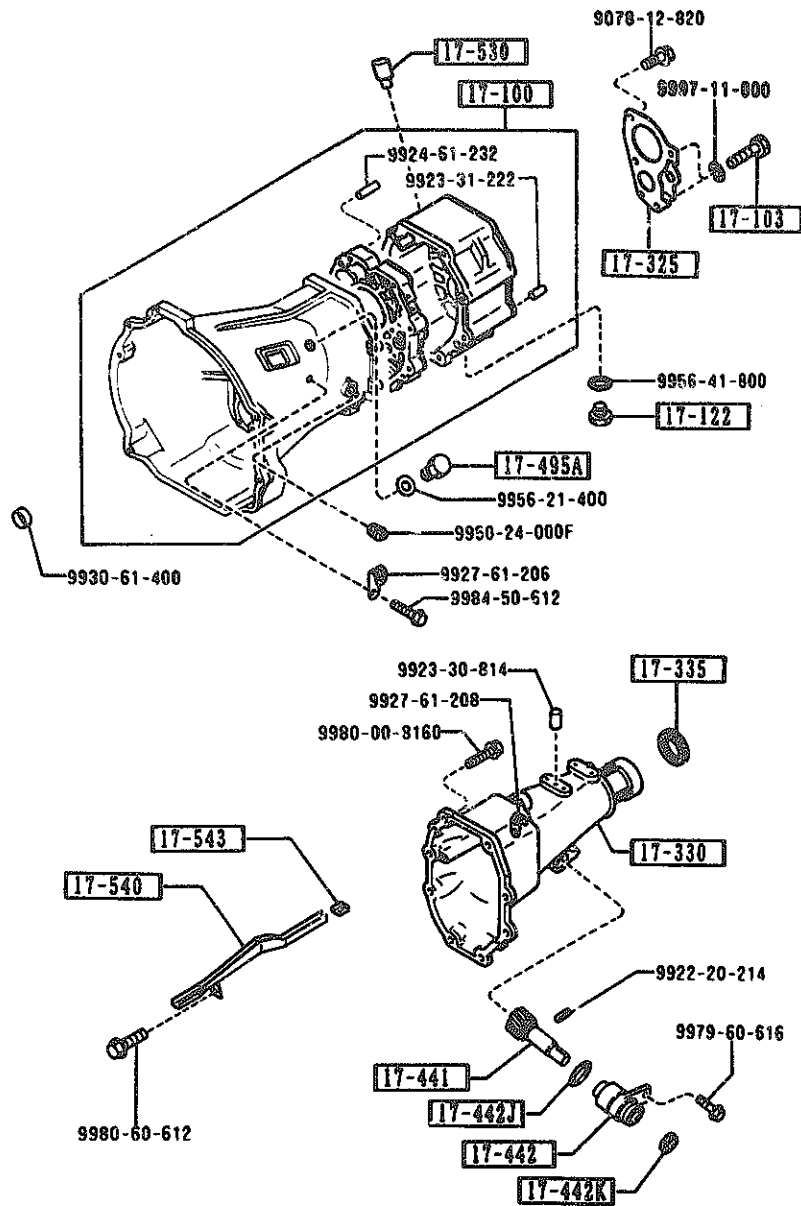


PART NO.	QTY	MODEL/RESTRICTION	MODEL/RESTRICTION	MODEL/RESTRICTION	FROM-TO
CONT'D					
R501-17-371A	1	(TURBO)			
17-373A		PLATE, DRAIN PLUG-UNDER C.			
R501-17-373	1	(TURBO)			
17-375		GASKET, UNDER COVER			
0862-17-375		ASBESTOS			
A (R501-17-375)	1				-0101
R501-17-375	1	NON ASBESTOS (TURBO)			0101-
17-381		COVER, BLIND			
0810-17-381A	2	(TURBO)			
17-385		GASKET, BLIND COVER			
0810-17-385		ASBESTOS			
A (R501-17-385A)	2				-0201
R501-17-385A	2	NON ASBESTOS (TURBO)			0201-
17-441		GEAR, DRIVEN			
1011-17-441A	1	N=21 ((W/O TURBO)>(HARD S USP))			
1669-17-441A	1	N=20 ((W/O TURBO)>(NOR. SU SP)) (TURBO)			
17-442		SLEEVE, SPEEDOMETER			
1011-17-442A	1	((W/O TURBO)>(HARD S USP))			
1669-17-442B	1	((W/O TURBO)>(NOR. SU SP)) (TURBO)			
17-442J		RING, 'O'			
1011-17-443	1				
17-442K		SEAL, OIL			
99586-08166	1				
17-495A		PLUG			
G402-17-495	1	(W/O TURBO)			

0101 FC3MM-805489  
0201 FC3MM-806074

(W/O TURBO)

(THIS ILLUSTRATION CONSISTS OF 2 PAGES)

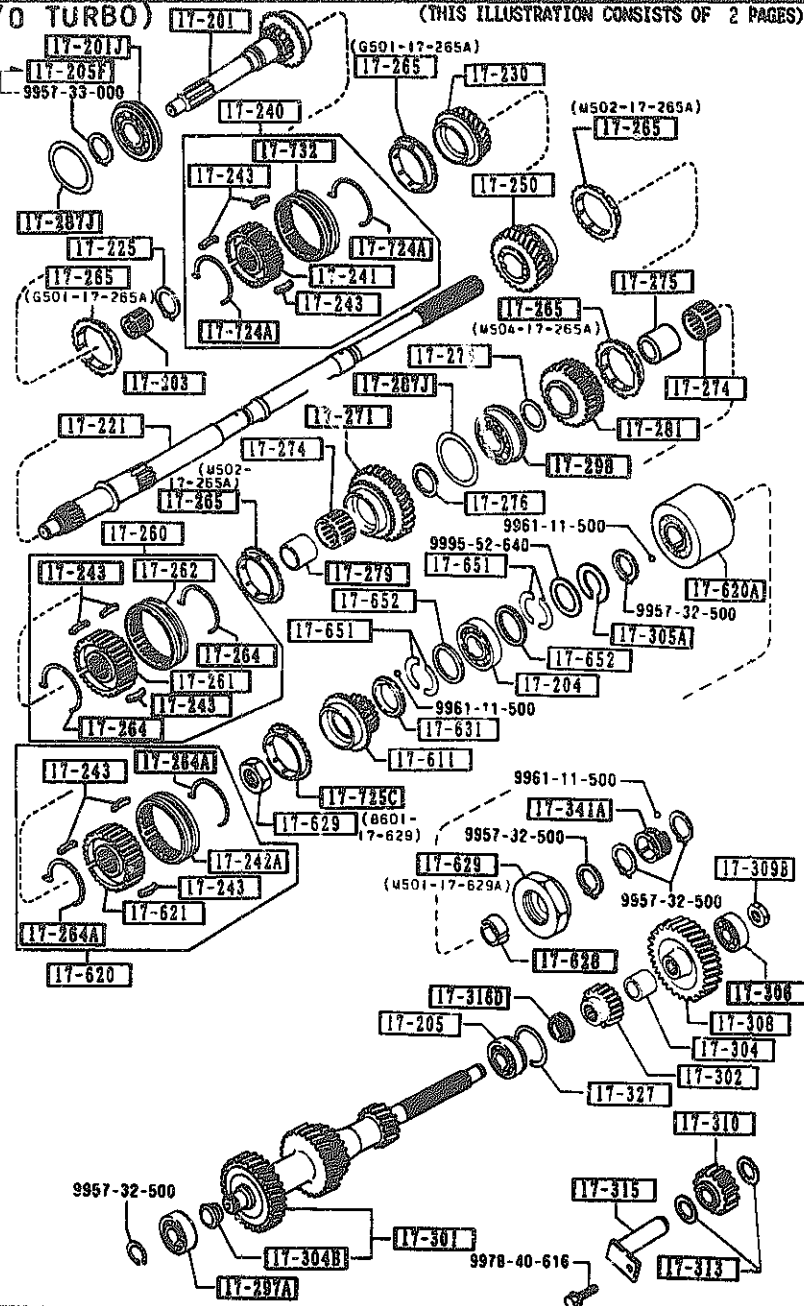


PART NO.	QTY	MODEL/RESTRICTION	MODEL/RESTRICTION	MODEL/RESTRICTION	FROM-TO
17-530		BREATHER, AIR-T/MISSI			
0884-17-530	1	ON			
17-540		PASS. OIL			
M510-17-540	1	(W/O TURBO)			
R505-17-540	1	(TURBO)			
R506-17-540	1	(TURBO)			
17-543		RUBBER, SEAL			
M501-17-543A	1				
R505-17-543	1	(TURBO)			
17-550		GUIDE, OIL			
1281-17-550	1	(TURBO)			
17-660		PASS. OIL			
0862-17-660C	1	(TURBO)			
43-608		SPACER			
1281-17-383	2	(TURBO)			



(W/O TURBO)

(THIS ILLUSTRATION CONSISTS OF 2 PAGES)

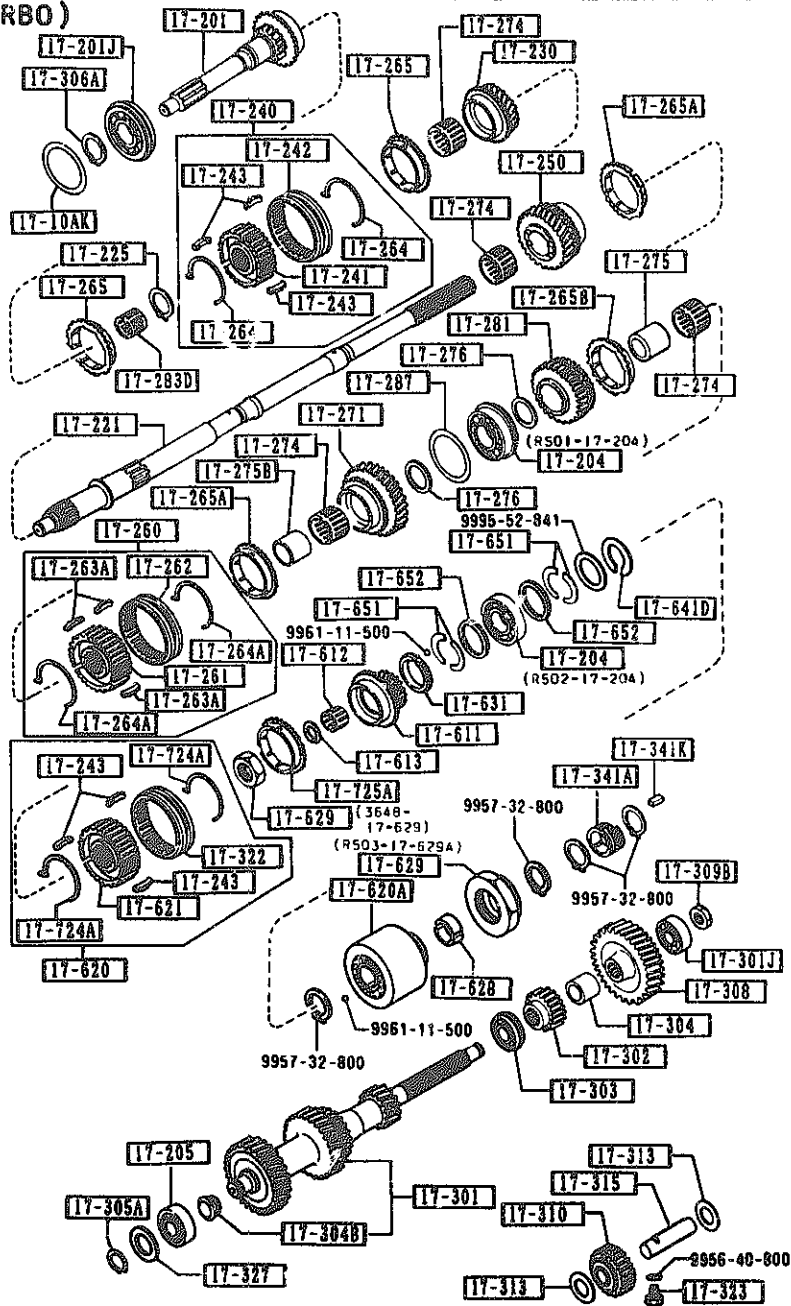


PART NO.	QTY	MODEL/RESTRICTION	MODEL/RESTRICTION	MODEL/RESTRICTION	FROM TO
17-10AK		SHIM, ADJUST			
99963-6930	1	T=0.3MM (TURBO)			
99963-6940	1	T=0.4MM (TURBO)			
99963-6950	1	T=0.5MM (TURBO)			
99963-6960	1	T=0.6MM (TURBO)			
99963-6970	1	T=0.7MM (TURBO)			
17-201		GEAR, MAIN DRIVE			
M515-17-201A	1	(W/O TURBO)			
R501-17-21XA	1	(TURBO)			
17-201J		BEARING, BALL-MAIN DRIVE GEAR			
R501-17-295	1	(TURBO)			
M502-17-295B	1				-9301
A (M502-17-295C)					
M502-17-295C	1	(W/O TURBO)			9301-
17-203		BEARING, NEEDLE			
M501-17-210	1	(W/O TURBO)			
17-204		BEARING, BALL-MAIN SHAFT			
M503-17-204	1	(W/O TURBO)			
R501-17-204	1	O=75-I=32/W=20 (TURBO)			
R502-17-204	1	O=68-I=28/W=18 (TURBO)			
17-205		BEARING, ROLLER			
R502-17-306A	1				
17-205F		RING, RETAINING			
M501-17-205	1	(W/O TURBO)			9301-
17-221		SHAFT, MAIN			
M510-17-221	1	(W/O TURBO)			
R507-17-221	1	(TURBO)			
9301 FC3MMH-704194					

1-K 9

1710 TRANSMISSION GEARS(MANUAL) (THIS ILLUSTRATION CONSISTS OF 2 PAGES)

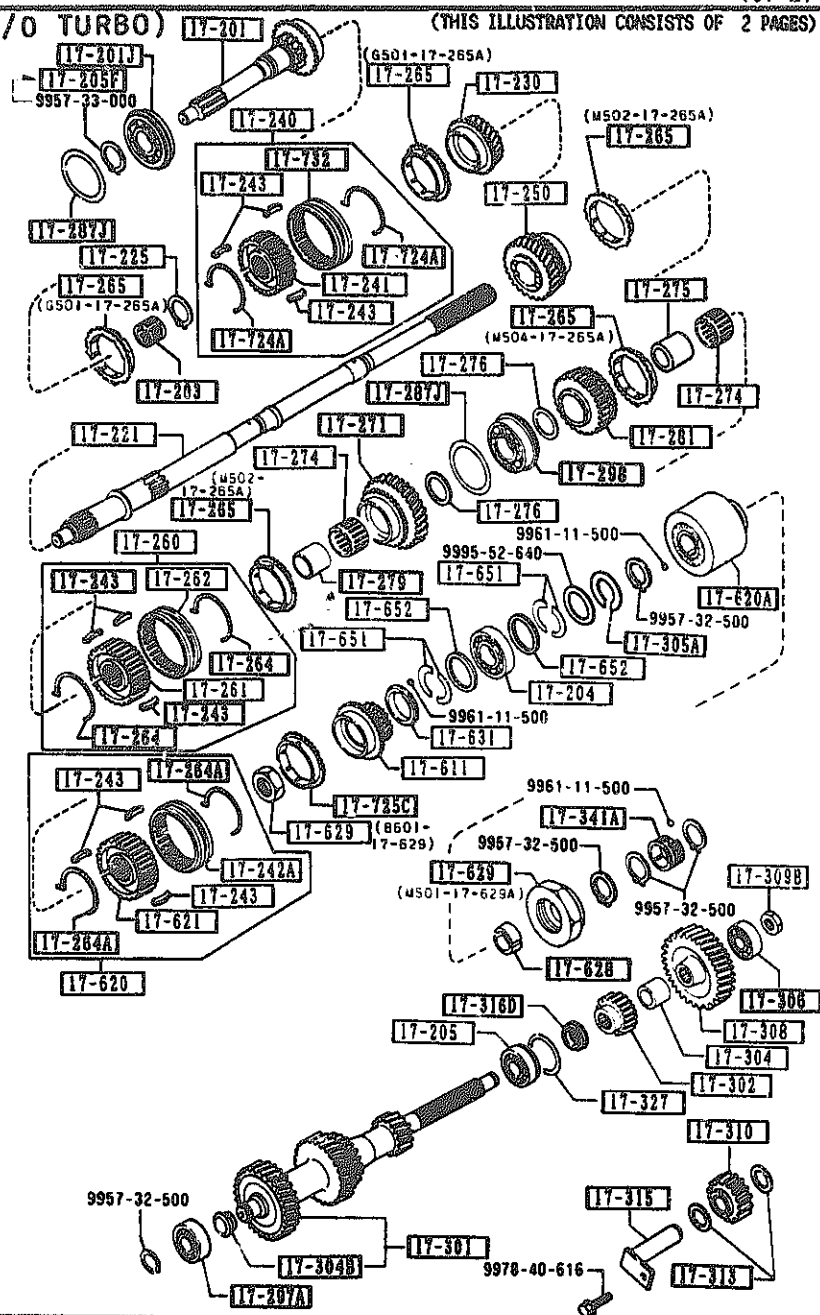
(TURBO)



PART NO.	QTY	MODEL/RESTRICTION	MODEL/RESTRICTION	MODEL/RESTRICTION	FROM-TO
17-225		RING, SNAP			
0317-17-225	1				
17-230		GEAR, 3RD			
R505-17-230C	1	(TURBO)			
M510-17-231A	1	(W/O TURBO)			
17-240		HUB SET, CLUTCH-3RD & 4TH			
R501-17-240A	1	(TURBO)			
M502-17-240B	1				-9701
A (M502-17-240C)					
M502-17-240C	1	(W/O TURBO)			9701-
17-241		HUB, CLUTCH			
M501-17-241B	1	(W/O TURBO)			
R501-17-241	1	(TURBO)			
17-242		SLEEVE, CLUTCH HUB			
R501-17-242	1	(TURBO)			
17-242A		SLEEVE, CLUTCH HUB			
F401-17-242A	1	(W/O TURBO)			
17-243		KEY, SYNCHRONIZER			
F401-17-243A	6	(TURBO)			
	9	(W/O TURBO)			
17-250		GEAR, 2ND			
M501-17-250	1	((W/O TURBO)) (CONVERTIBLE)			
R517-17-250	1	(TURBO)			
M501-17-250	1	((W/O TURBO)) (CPE)			-9701
M508-17-251	1	((W/O TURBO)) (CPE)			9701-
17-260		HUB SET, CLUTCH-1ST & 2ND			
M505-17-260A	1	(W/O TURBO)			
R501-17-260A	1	(TURBO)			
17-261		HUB, CLUTCH			
M502-17-261	1	(W/O TURBO)			
9701 FC3HHH-709151					

(W/O TURBO)

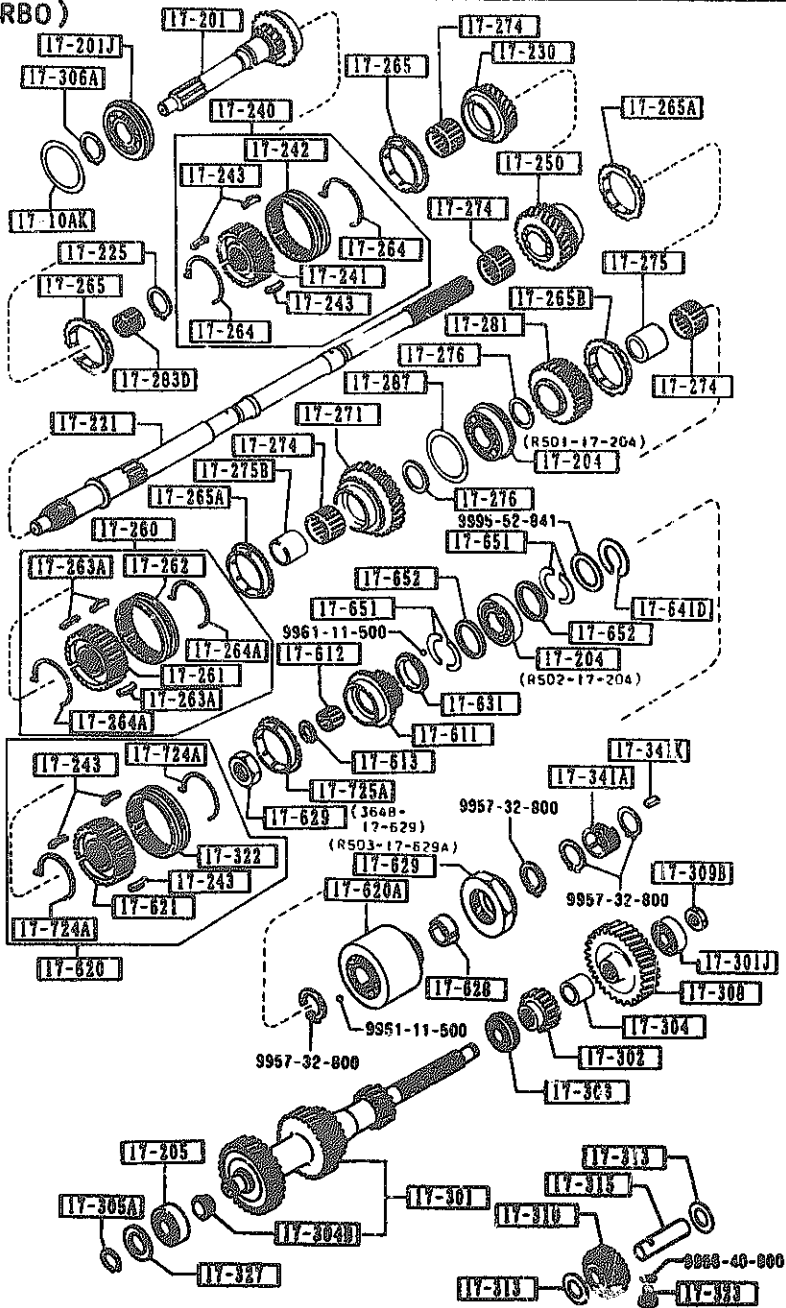
(THIS ILLUSTRATION CONSISTS OF 2 PAGES)



PART NO.	QTY	MODEL/RESTRICTION	MODEL/RESTRICTION	MODEL/RESTRICTION	FROM-TO
CONT'D					
R501-17-261	1	(TURBO)			
17-262		SLEEVE, CLUTCH HUB			
M503-17-262	1	(W/O TURBO)			
R501-17-262	1	(TURBO)			
17-263A		KEY, SYNCHRONIZER			
W501-17-263A	3	(TURBO)			
17-264		SPRING, SYNCHRO. KEY			
G401-17-264	2				
17-264A		SPRING, SYNCHRONIZER			
F401-17-264A	2	(W/O TURBO)			
R501-17-264	2	(TURBO)			
17-265		RING, SYNCHRONIZER			
G501-17-265A	2	(W/O TURBO)			
M502-17-265A	2				
M504-17-265	1				-0101
A (M504-17-265A)					
M504-17-265A	1	(W/O TURBO)			0101-
17-265A		RING, SYNCHRONIZER			
R502-17-265A	2	(TURBO)			
17-265B		RING, SYNCHRONIZER			
R503-17-265A	1	(TURBO)			
17-271		GEAR, 1ST			
M510-17-271	1	(W/O TURBO)			
R513-17-270	1				-0501
A (R513-17-270A)					
R513-17-270A	1	(TURBO)			0501-
17-274		BEARING, NEEDLE			
O884-17-274	4	(TURBO)			
4069-17-283A	2	(W/O TURBO)			
17-275		RACE, INNER			
0101 FC3***-805489 0501 FC3***-806642					



(TURBO)



PART NO.	QTY	MODEL/RESTRICTION	MODEL/RESTRICTION	MODEL/RESTRICTION	FROM-TO
CONT'D					
3648-17-275A	1	(TURBO)			
4069-17-284E	1	(W/O TURBO)			
17-275B		RACE, INNER			
0884-17-275B	1	(TURBO)			
17-276		WASHER, THRUST			
0259-17-274A	2	T=3MM (W/O TURBO)			
0259-17-276	2	T=2.2MM (W/O TURBO)			
0839-17-276	1	T=2.5MM (TURBO)			
0259-17-277	2	T=2.7MM (W/O TURBO)			
0839-17-277	2	T=3MM (TURBO)			
0259-17-278	2	T=3.2MM (W/O TURBO)			
0839-17-278	1	T=3.5MM (TURBO)			
0259-17-279	2	T=3.7MM (W/O TURBO)			
17-279		SLEEVE, GEAR			
8540-17-275A	1	(W/O TURBO)			
17-281		GEAR, REVERSE			
R505-17-281	1	(TURBO)			
M507-17-281 A (M507-17-281A)	1				-9801
M507-17-281A C (M507-17-281B,	1				9801-0101
M507-17-281B	1	(W/O TURBO)			0101-
17-283D		BEARING, NEEDLE			
M505-17-283	1	(TURBO)			-9510
R502-17-283	1	(TURBO)			9510-
17-287		SHIM, ADJUST			
0839-17-287	2	T=0.1MM (TURBO)			
0839-17-288		T=0.3MM			
9510 FC3MMH-707178					
9801 FC3MMH-800894					
0101 FC3MMH-805488					

9980-01-01

18-338

9079-40-

18-140

9978-60-6

18-999

## SECTION NAME INDEX (ENGINE)

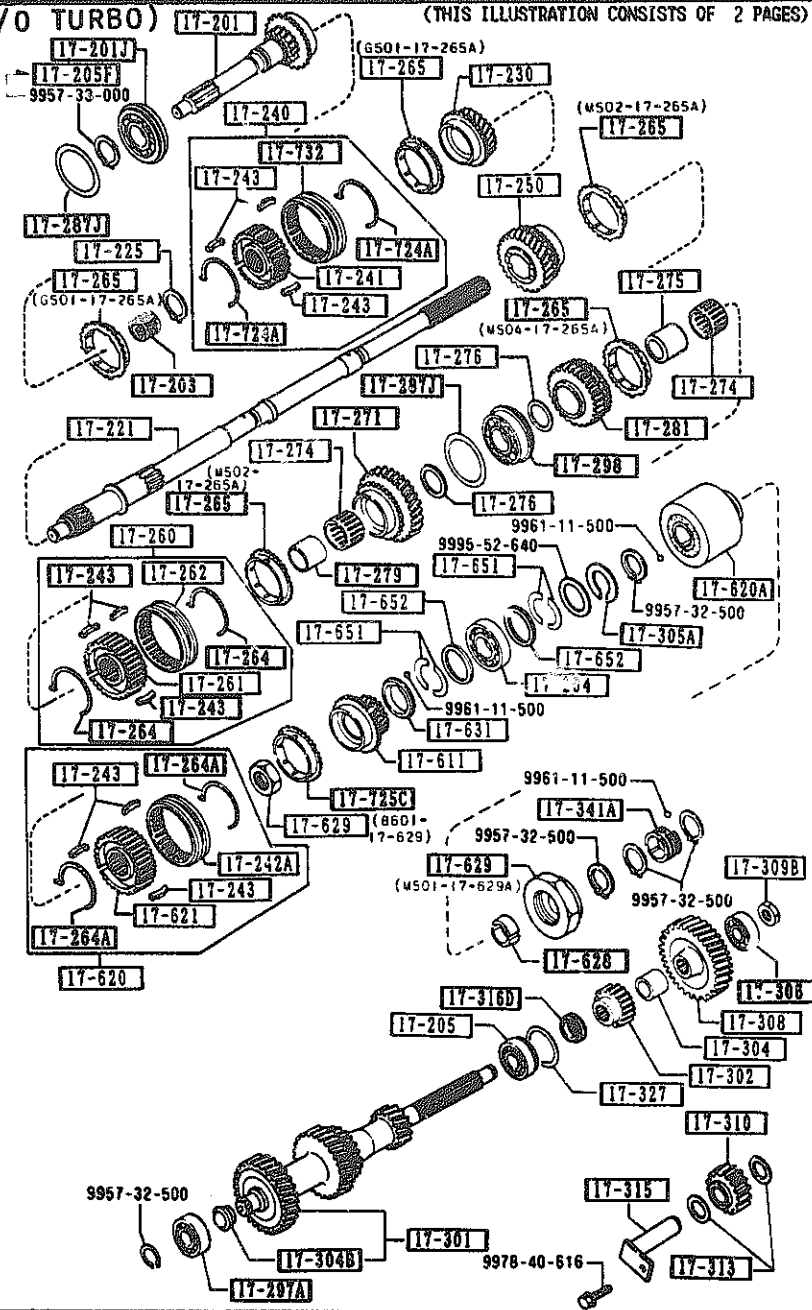
LO.NO	SEC.NO	SECTION NAME	LO.NO	SEC.NO	SECTION NAME	LO.NO	SEC.NO	SECTION NAME
1-C03	1000	SHORT ENGINE & GASKET SETS (W/O TURBO)	1-G11	1840	STARTER			
1-D03	1000 A	SHORT ENGINE & GASKET SETS (TURBO)	1-J11	1850	BATTERY			
1-E03	1030	ROTOR HOUSINGS (W/O TURBO)	1-K11	1910	TORQUE CONVERTER, OIL PUMP & PIPINGS (AUTOMATIC)			
1-G03	1030 A	ROTOR HOUSINGS (TURBO)	1-N11	1920	TRANSMISSION CASE & MAIN CONTROL SYSTEM (AUTOMATIC)			
1-J03	1040	OIL PAN, FRONT & REAR HOUSING (W/O TURBO)	1-I12	1925	CONTROL VALVE (AUTOMATIC)			
1-M03	1040 A	OIL PAN, FRONT & REAR HOUSING (TURBO)	1-D13	1930	CLUTCHES & PLANETARY GEARS (AUTOMATIC)			
1-D04	1100	ECCENTRIC SHAFT & FLYWHEEL	1-L13	1940	GOVERNOR, LOW & REVERSE PISTON (AUTOMATIC)			
1-G04	1110	ROTORS & RELATED PARTS	1-C14	1950	MANUAL LINKAGE SYSTEM (AUTOMATIC)			
1-I04	1300	INLET MANIFOLD	1-E14	1960	GASKET & SEAL KIT (AUTOMATIC)			
1-M04	1310	EXHAUST MANIFOLD						
1-N04	1311	INTER COOLER (TURBO)						
1-C05	1312	TURBO CHARGER (TURBO)						
1-F05	1320	FUEL SYSTEM						
1-H05	1325	FUEL DISTRIBUTOR						
1-ID5	1330	AIR CLEANER						
1-M05	1350	STARTING ASSIST SYSTEM						
1-N05	1364	THROTTLE BODY						
1-F06	1371	AIR PUMP & AIR CONTROL VALVE						
1-I06	1380	EMISSION CONTROL SYSTEM						
1-D07	1399	CAP & HOSE CLIP (INLET & EXHAUST SIDE)						
1-F07	1400	OIL PUMP & FILTER (W/O TURBO)						
1-I07	1400 A	OIL PUMP & FILTER (TURBO)						
1-M07	1500	COOLING SYSTEM						
1-F08	1580	BRACKET, PULLEY & BELT						
1-C09	1600	CLUTCH DISC & COVER (MANUAL)						
1-F09	1700	TRANSMISSION CASE (MANUAL)						
1-J09	1710	TRANSMISSION GEARS (MANUAL)						
1-H10	1720	CHANGE CONTROL SYSTEM (MANUAL)						
1-M10	1800	ENGINE ELECTRICAL SYSTEM						
1-E11	1830	ALTERNATOR						

CATLOG-NO= AUFA02-06

DATE. 1992-05

1-B10

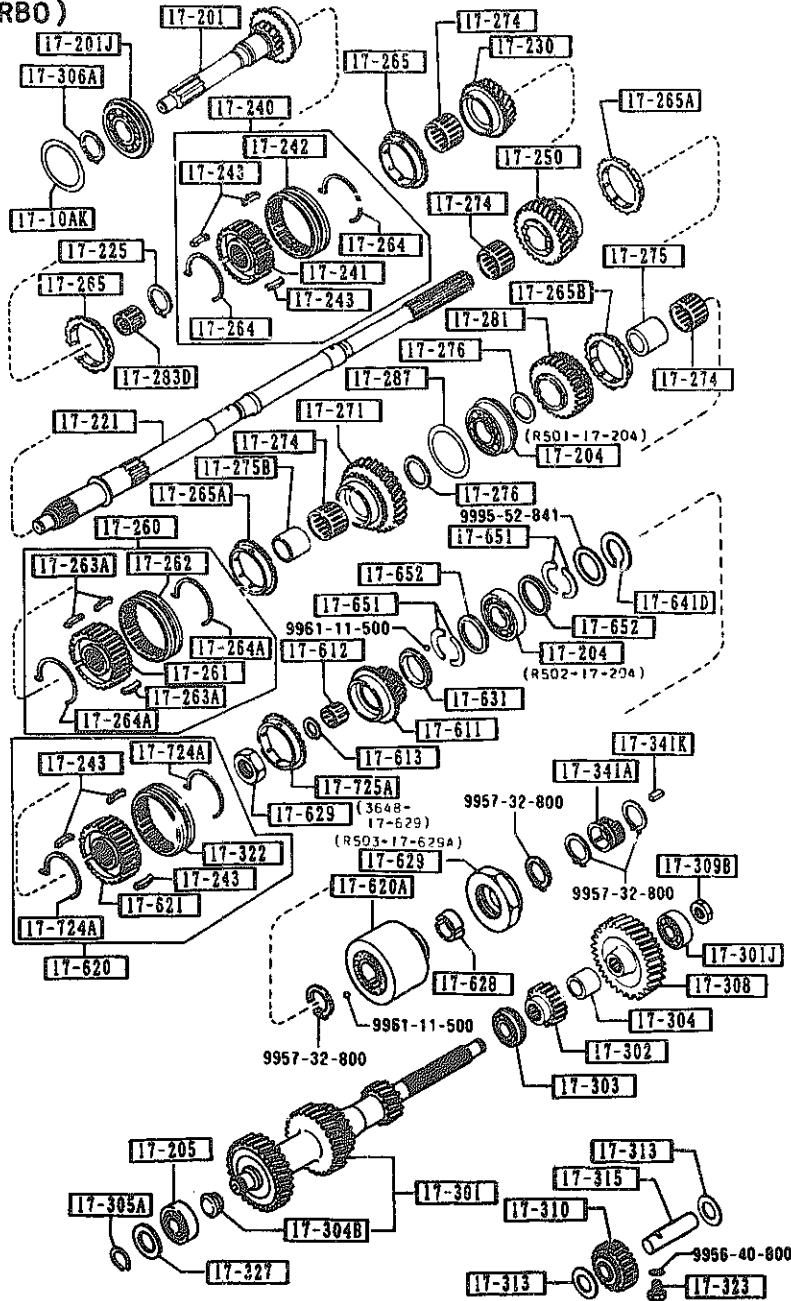
(W/O TURBO) (THIS ILLUSTRATION CONSISTS OF 2 PAGES)



PART NO.	QTY	MODEL/RESTRICTION	MODEL/RESTRICTION	MODEL/RESTRICTION	FROM-TO
CONT'D	1	(TURBO)			
17-287J		SHIM, ADJUST			
99963-6310	2	T=0.1MM (W/O TURBO)			
99963-6315	1	T=0.15MM (W/O TURBO)			
99963-6330	2	T=0.3MM (W/O TURBO)			
17-297A		BEARING, BALL-COUNTER SHAFT G.			
M502-17-297A	1	(W/O TURBO)			
17-298		BEARING			
M502-17-298A	1	(W/O TURBO)			
17-301		GEAR, COUNTER SHAFT			
M518-17-300	1	(W/O TURBO)			
R506-17-300G	1	(TURBO)			
17-301J		BEARING, BALL			
R501-17-299	1	(TURBO)			
17-302		GEAR, COUNTER REVERSE			
R504-17-302A	1				-9207
A (R504-17-302A)					
M503-17-302A	1				-9801
A (M503-17-302B)					
R504-17-302A	1	(TURBO)			9207-
M503-17-302B	1	(W/O TURBO)			9801-
17-303		BEARING, BALL			
0821-17-303	1	(TURBO)			
17-304		SPACER			
M504-17-304	1	(W/O TURBO)			
R501-17-304	1	(TURBO)			
17-304B		SPACER			
M501-17-304B	1	(W/O TURBO)			
R501-17-316A	1	(TURBO)			
9207 FC3***-70257					
9801 FC3***-800894					

1710 TRANSMISSION GEARS(MANUAL) (THIS ILLUSTRATION CONSISTS OF 2 PAGES)

(TURBO)

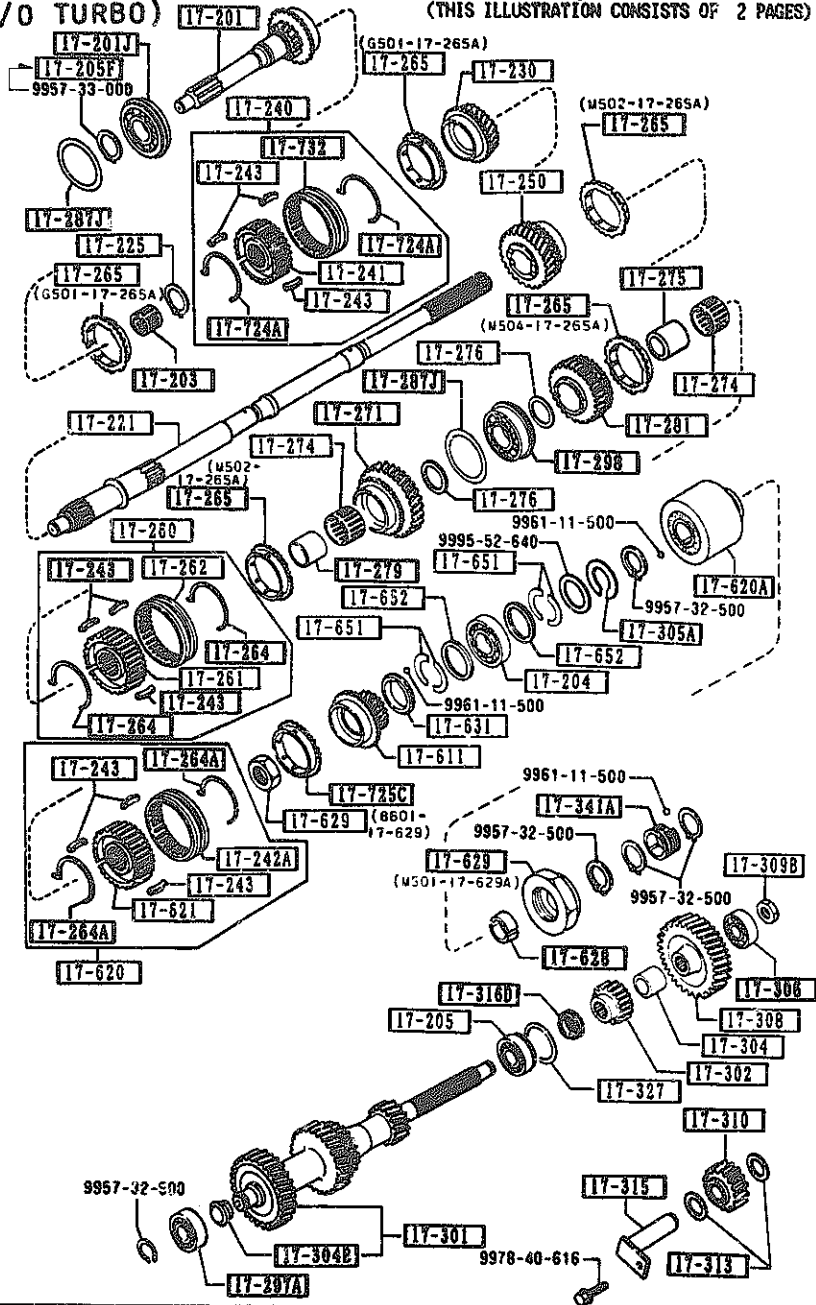


PART NO.	QTY	MODEL/RESTRICTION	MODEL/RESTRICTION	MODEL/RESTRICTION	FROM TO
17-305A	1	RING, RETAINING-BALL BEARING			
0839-17-305B					
17-306	1	BEARING, BALL			
M502-17-299A		(W/O TURBO)			
17-306A	1	RING, SNAP			
0727-17-306		(TURBO)			
17-308	1	GEAR, COUNTER			
M507-17-308		((W/O TURBO))<(NDR. SU SP)			
M508-17-308A	1	((W/O TURBO))<(HARD S USP)			
R524-17-308	1	(TURBO)			
17-309B	1	NUT, LOCK-COUNTER SHA FT BR			
M501-17-309					
17-310	1	GEAR, REVERSE IDLE			
R505-17-310A		A (R505-17-310B)			-9207
M504-17-310B	1	A (M504-17-310C)			-9801
R505-17-310B	1	(TURB			9207-
M504-17-310C	1	(W/O TURBO)			9801-
17-313	2	WASHER, THRUST-REVERS E IDLE G.			
M501-17-313		(W/O TURBO)			
0821-17-313	2	(TURBO)			
17-315	1	SHAFT, REV. IDLE GEAR			
M501-17-140		(W/O TURBO)			
0884-17-315	1	(TURBO)			
17-316D	1	SPACER			
R502-17-316		(W/O TURBO)			
17-322	1	SLEEVE, CLUTCH HUB			
R501-17-622		(TURBO)			

9207 FC3\*\*\*-702557  
9801 FC3\*\*\*-800894

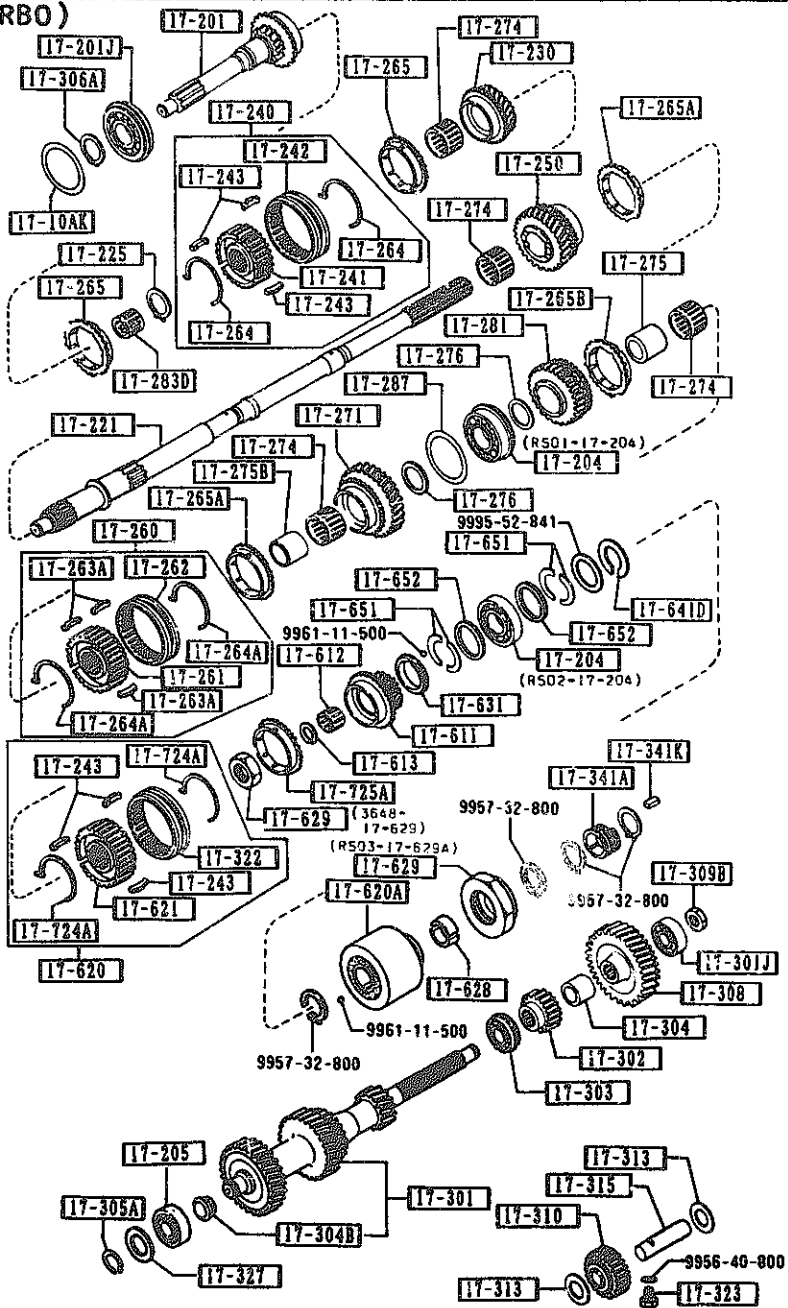
1-D10

(W/O TURBO) (THIS ILLUSTRATION CONSISTS OF 2 PAGES)



PART NO.	QTY	MODEL/RESTRICTION	MODEL/RESTRICTION	MODEL/RESTRICTION	FROM-TO
17-323		BOLT SET			
4069-17-323	1	(TURBO)			
17-327		SHIM, ADJUST-COUNTER SHAFT GEAR T=0.1MM			
0305-17-327	2				
0305-17-328	1	T=0.3MM			
17-341A		GEAR, SPEEDO.DRIVE			
R501-17-341A	1	(TURBO)			
1281-17-341	1	(W/O TURBO)			
17-341K		KEY			
M501-17-342	1	(TURBO)			
17-611		GEAR, OVER TOP			
R523-17-610	1	(TURBO)			
M512-17-611	1	((W/O TURBO)>(NOR. SU SP) )			
M514-17-611A	1	((W/O TURBO)>(HARD S USP) )			
17-612		BEARING, NEEDLE			
R501-17-612	1	(TURBO)			
17-613		RING, RETAINING			
R501-17-613	1	(TURBO)			
17-620		HUB SET, CLUTCH-O.T. & REV			
M505-17-620	1	(W/O TURBO)			
R502-17-620C	1	(TURBO)			
17-620A		DAMPER, DYNAMIC			
M505-17-070	1	(W/O TURBO)			
R503-17-070	1	(TURBO)			
17-621		HUB, CLUTCH			
M505-17-621	1	(W/O TURBO)			
R502-17-621A	1	(TURBO)			

(TURBO)

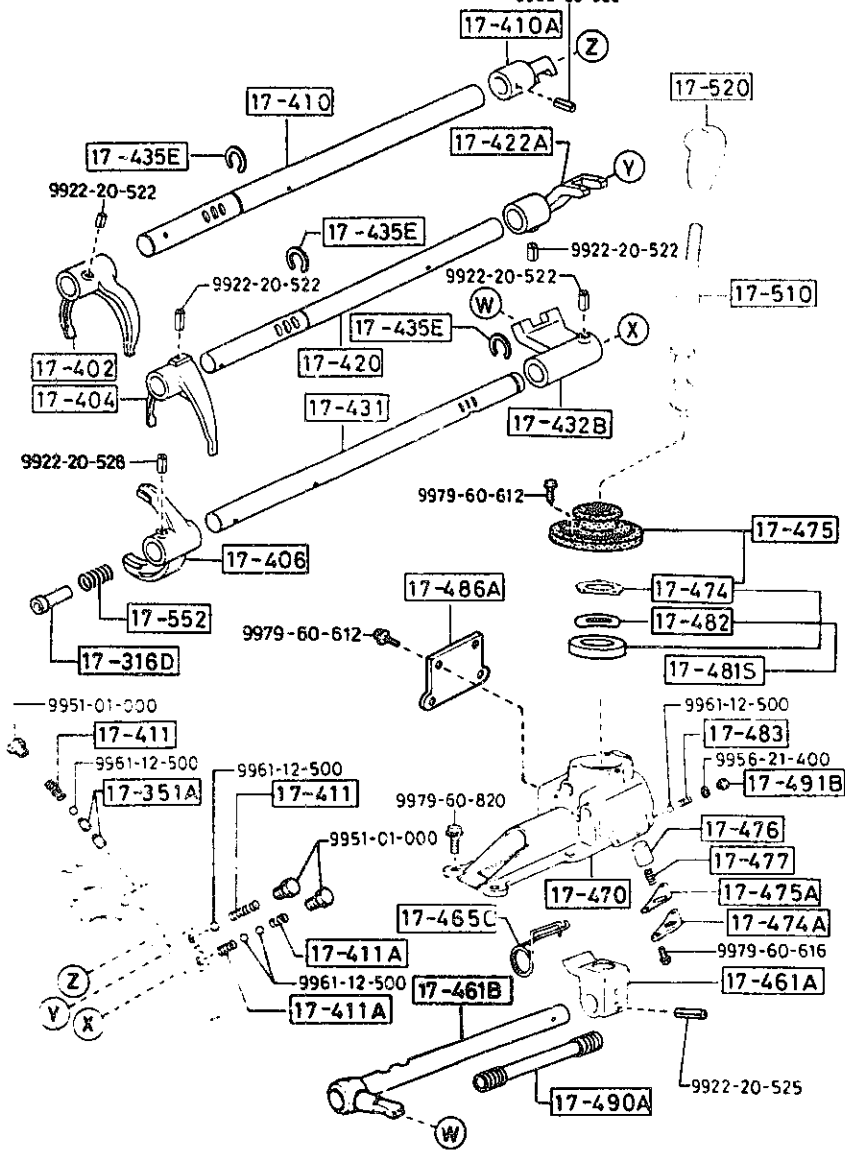


PART NO.	QTY	MODEL/RESTRICTION	MODEL/RESTRICTION	MODEL/RESTRICTION	FROM-TO
17-628		COTTER, TAPER			
M501-17-628	1	(W/O TURBO)			-9113
R501-17-628	1	(TURBO)			-9113
M501-17-628A	1	(W/O TURBO)			9113-
R501-17-628A	1	(TURBO)			9113-
17-629		NUT, LOCK-CLUTCH HUB			
3648-17-629	1	(TURBO)			
8601-17-629	1	(W/O TURBO)			
M501-17-629	1	(W/O TURBO)			-9113
R503-17-629	1	(TURBO)			-9113
M501-17-629A	1	(W/O TURBO)			9113-
R503-17-629A	1	(TURBO)			9113-
17-631		WASHER, THRUST LOCK-O VER TOP G.			
R501-17-631A	1	T=6.4MM (TURBO)			
R501-17-632A	1	T=6.5MM (TURBO)			
0884-17-632B	1	T=6.2MM (W/O TURBO)			
R501-17-633A	1	T=6.6MM (TURBO)			
0884-17-633B	1	T=6.4MM (W/O TURBO)			
R501-17-634A	1	T=6.7MM (TURBO)			
0884-17-634B	1	T=6.5MM (W/O TURBO)			
R501-17-635	1	T=6.3MM (TURBO)			
0884-17-635B	1	T=6.6MM (W/O TURBO)			
R501-17-636	1	T=6.2MM (TURBO)			
17-641D		RING, SNAP			
0821-17-641B	1	(TURBO)			
17-651		WASHER, THRUST			
M501-17-651	4	T=3MM (W/O TURBO)			
9113 FC3MM-700067					



(W/O TURBO)

(THIS ILLUSTRATION CONSISTS OF 2 PAGES)  
9922-20-522

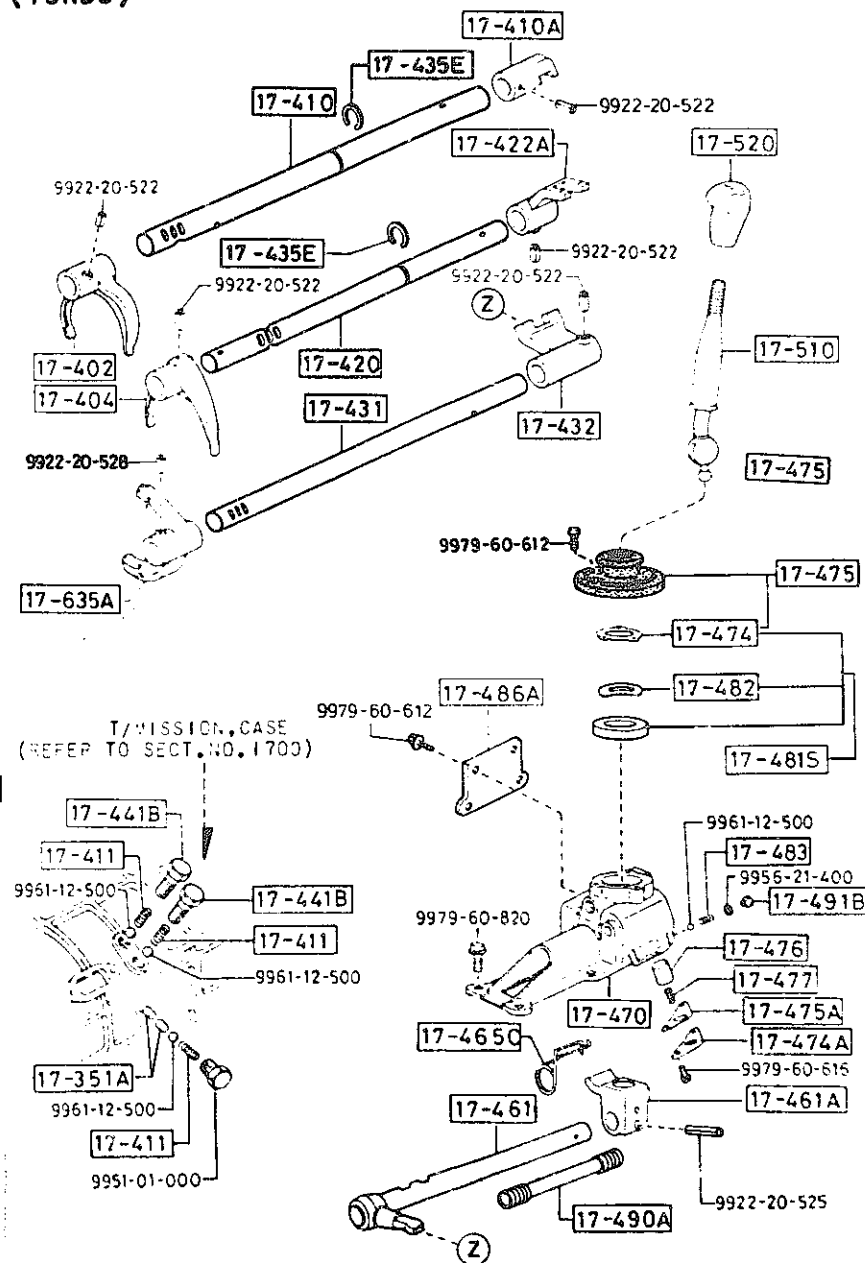


AUFA02

(CONT'D)

(TURBO)

(THIS ILLUSTRATION CONSISTS OF 2 PAGES)



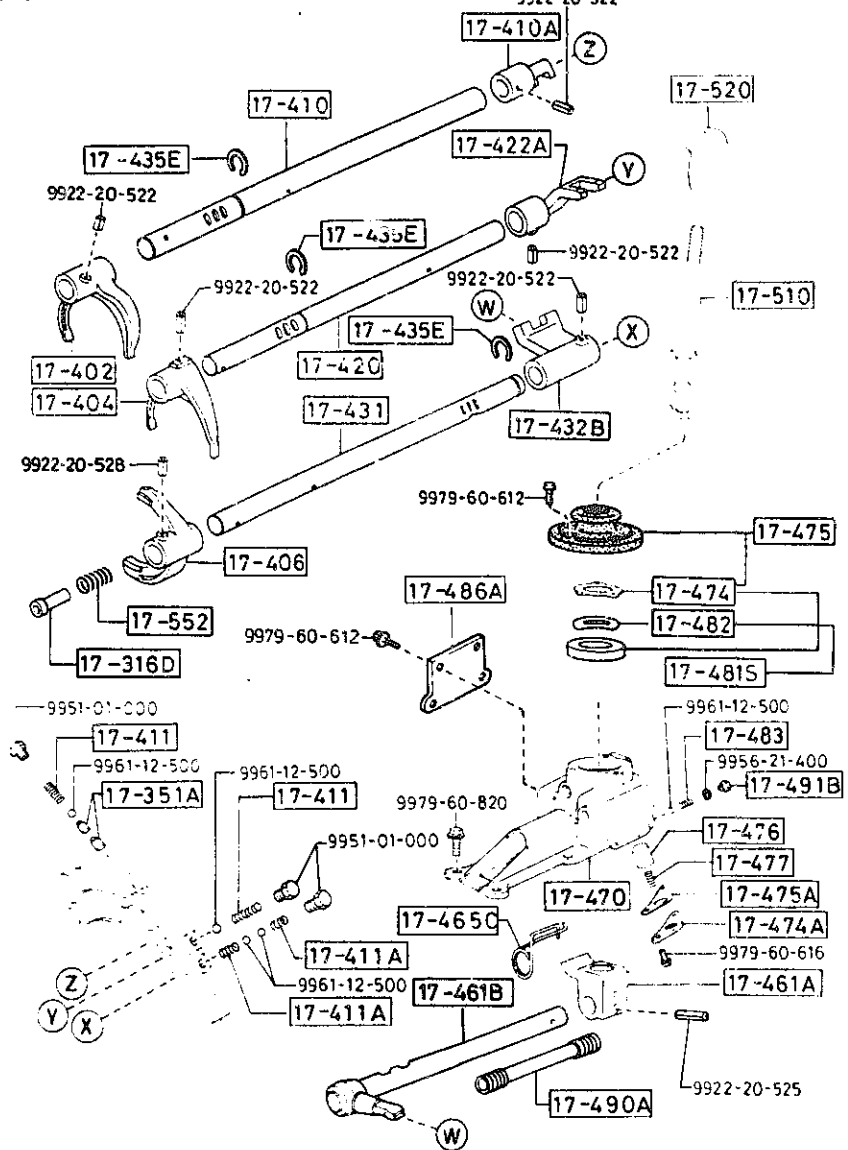
TRANSMISSION CASE  
(REFER TO SECT. NO. 1700)

AUFA02

1-H10



1720 CHANGE CONTROL SYSTEM (MANUAL) (1/2)  
 (W/O TURBO) (THIS ILLUSTRATION CONSISTS OF 2 PAGES)  
 9922-20-522



AUFA02

(CONT'D)

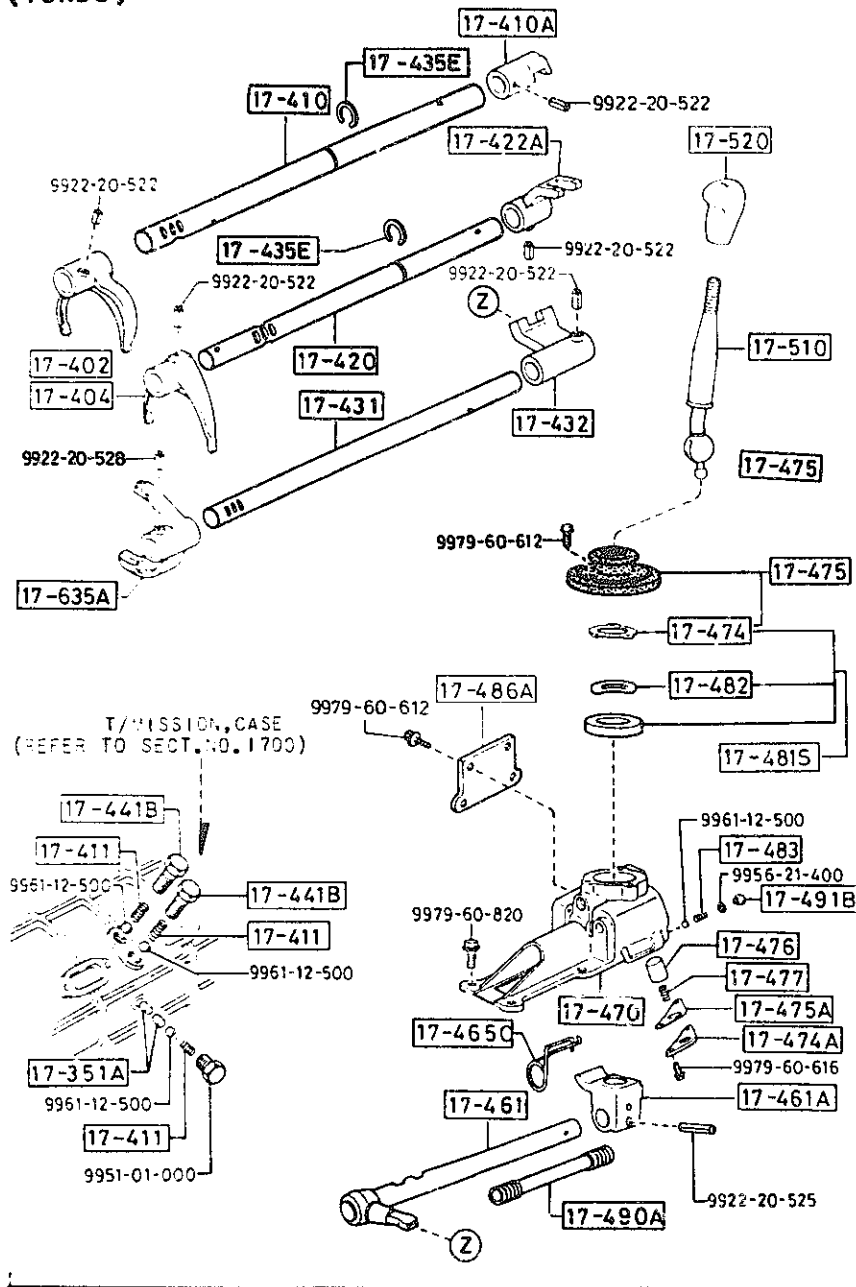
PART NO.	QTY	MODEL/RESTRICTION	MODEL/RESTRICTION	MODEL/RESTRICTION	FROM TO
17-316D		SPACER			
M504-17-316	1	(W/O TURBO)			
17-351A		PIN, INTER LOCK			
0114-17-351	2				
17-402		FORK, SHIFT (1ST&2ND)			
M503-17-402	1	(W/O TURBO)			
R501-17-402A	1	(TURBO)			
17-404		FORK, SHIFT (3RD&4TH)			
M501-17-404B	1	(W/O TURBO)			
R501-17-404B	1	(TURBO)			
17-406		FORK, SHIFT			
M504-17-406A	1	(W/O TURBO)			
17-410		ROD, SHIFT (1ST&2ND)			
M503-17-411	1	(W/O TURBO)			
R504-17-411	1	(TURBO)			
17-410A		END, S/ROD (1ST&2ND)			
M507-17-412	1	(W/O TURBO)			
R502-17-412A	1	(TURBO)			
17-411		SPRING, SHIFT ROD			
0103-17-411	2	5TH & REVERSE (W/O TURBO)			
	3	(TURBO)			
17-411A		SPRING, SHIFT ROD-REVERSE			
0014-17-411	2	(W/O TURBO)			
17-420		ROD, SHIFT (3RD&4TH)			
M503-17-421	1	(W/O TURBO)			
R505-17-421	1	(TURBO)			
17-422A		END, S/ROD (3RD&4TH)			
M507-17-422	1	(W/O TURBO)			
R506-17-422	1	(TURBO)			

CAT. AUFA02-06

1992-05

(TURBO)

(THIS ILLUSTRATION CONSISTS OF 2 PAGES)

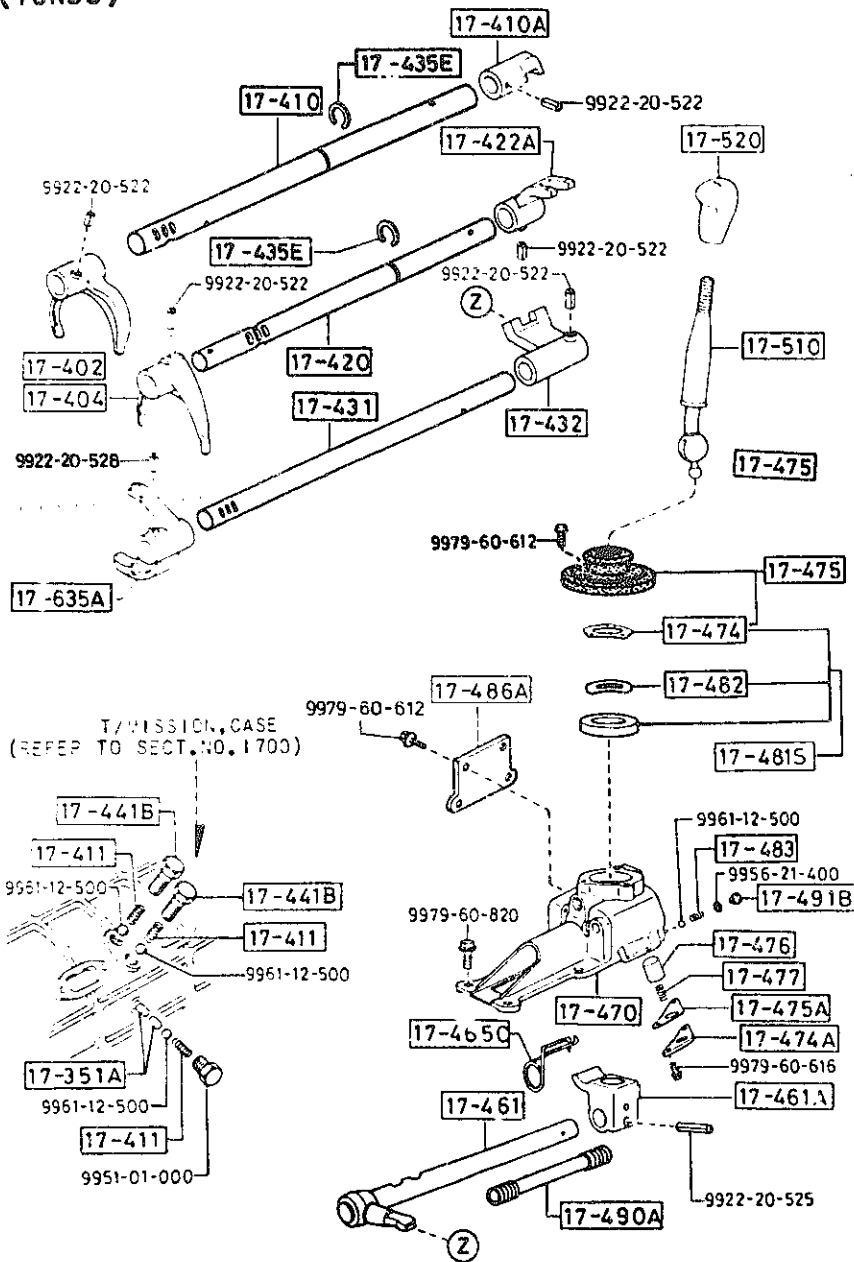


PART NO.	QTY	MODEL/RESTRICTION	MODEL/RESTRICTION	MODEL/RESTRICTION	FROM-TO
17-431	1	ROD, SHIFT-OVER TOP & REVERSE (TURBO)			
R506-17-431	1				-0116
M506-17-431 A (M506-17-431A)	1				0116-
M506-17-431A	1	(W/O TURBO)			
17-432	1	END, SHIFT (TURBO)			
R502-17-432A	1				
17-432B	1	END, SHIFT ROD (O/TOP & REV.) (W/O TURBO)			
M508-17-432	1				
17-435E	2	RING, RETAINING (TURBO)			
R502-17-435	3	(W/O TURBO)			
17-441B	2	PLUG, CAP (TURBO)			
O221-17-441	2				
17-461	1	LEVER, CONTROL (TURBO)			
R503-17-450	1				
17-461A	1	END, CONTROL LEVER			
M510-17-46Y	1				
17-461B	1	ROD, CONTROL (W/O TURBO)			
M515-17-450	1				
17-465C	1	SPRING, SELECT			
M501-17-465B	1				
17-470	1	CASE, CHANGE CONTROL			
M512-17-470 A (M512-17-470A)	1				-0116
M512-17-470A	1				0116-
17-474	1	GASKET, COVER PLATE			
M0303-17-474	1				
17-474A	1	CAP, SPRING			
M501-17-474	1				
0116 FC3RHH-805673					



(TURBO)

(THIS ILLUSTRATION CONSISTS OF 2 PAGES)



AUFA02

PART NO.	QTY	MODEL/RESTRICTION	MODEL/RESTRICTION	MODEL/RESTRICTION	FROM-TO
CONT'D M514-17-520	1	GTU, (URETHAN) (CPE)			
00		FD8 FD9 FE0 FE1 BLACK			
17-552		SPRING			
M504-17-552	1	(W/O TURBO)			
17-635A		FORK, SHIFT-5TH & RE VERSE			
R505-17-406	1	(TURBO)			

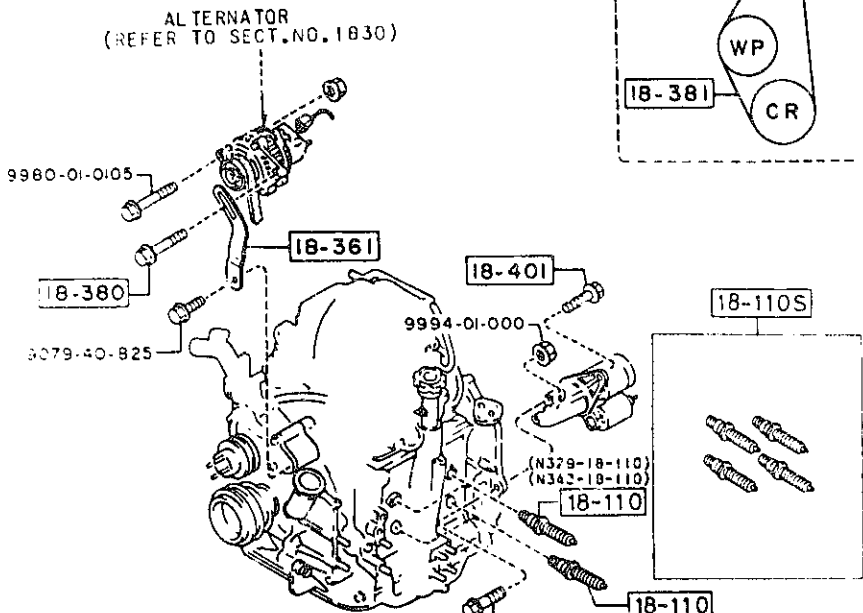
CAT. AUFA02-06

1992-05

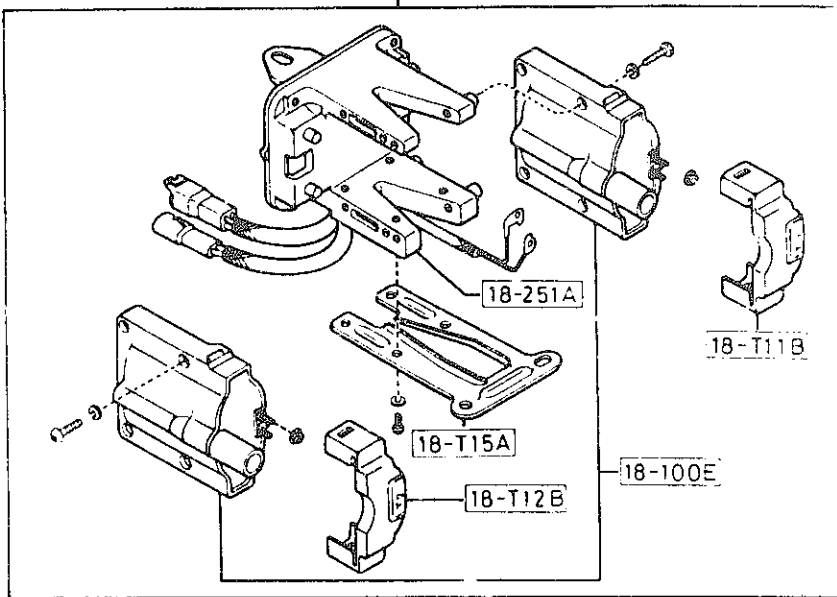
1-L10

(THIS ILLUSTRATION CONSISTS OF 2 PAGES)

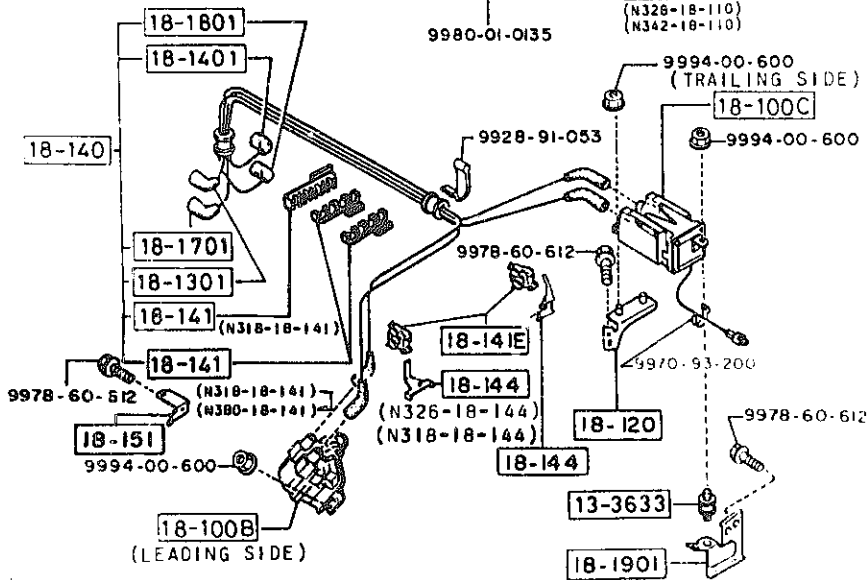
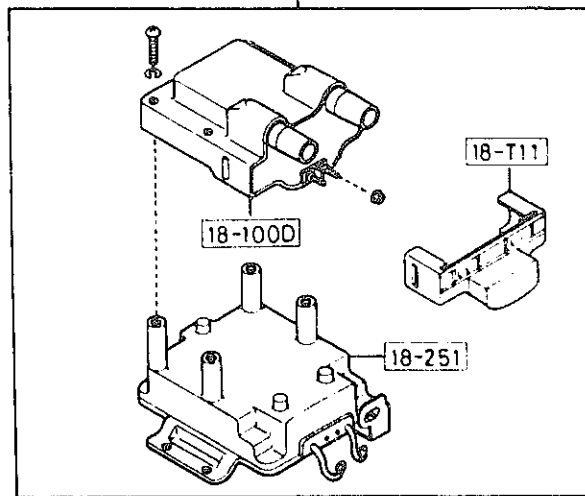
(THIS ILLUSTRATION CONSISTS OF 2 PAGES)



(TRAILING SIDE) 18-100C



(LEADING SIDE) 18-100B

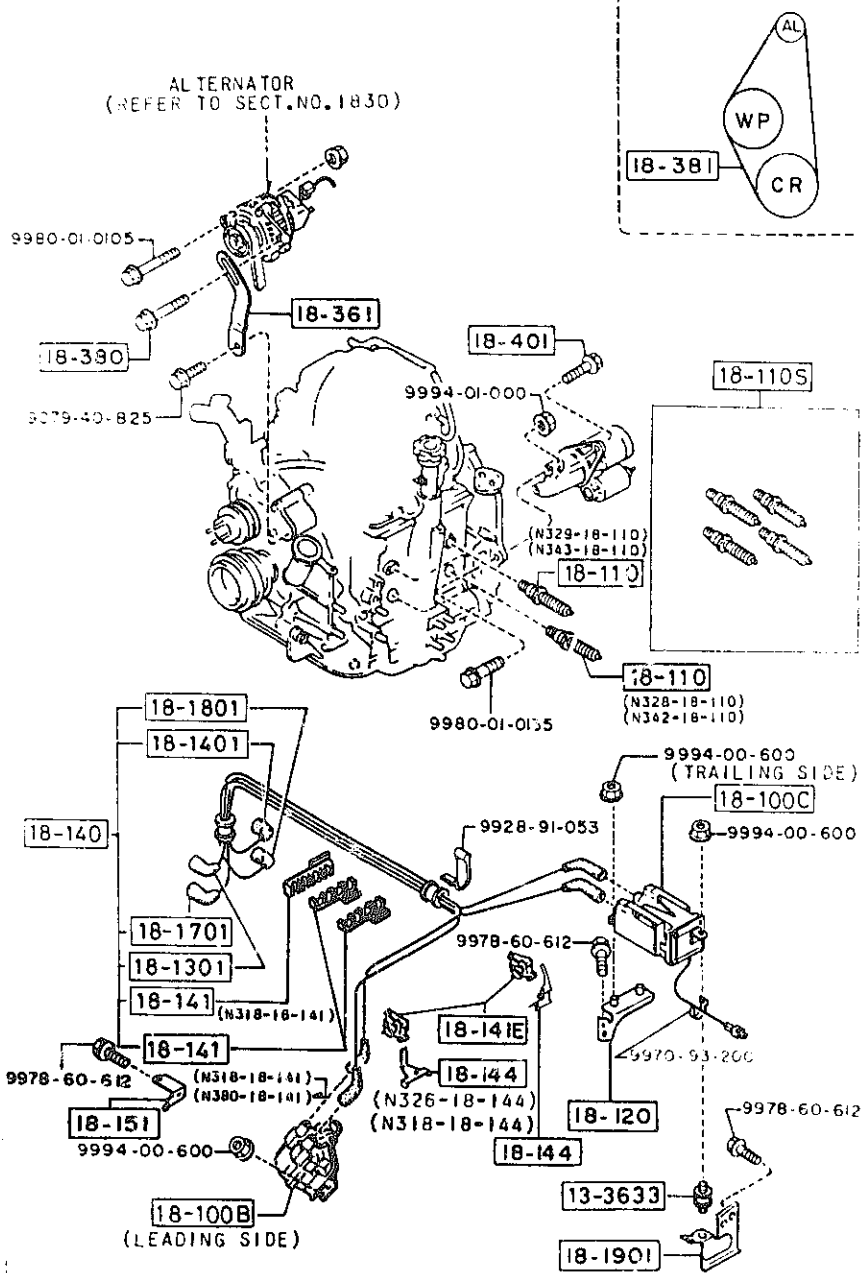


1-M10

1800 ENGINE ELECTRICAL SYSTEM

(1/2)

(THIS ILLUSTRATION CONSISTS OF 2 PAGES)



1800 -1 ENGINE ELECTRICAL SYSTEM

PART NO.	QTY	MODEL/RESTRICTION	MODEL/RESTRICTION	MODEL/RESTRICTION	FROM TO
13-3633		RUBBER, MOUNTING-IG. COIL OIL			
N327-13-363	1				
18-T11		COVER, IG. COIL-LEADING			
N327-18-T11	1				
18-T11B		COVER, IG. COIL-T-1			
N326-18-T11	1				
18-T12B		COVER, IG. COIL-T-2			
N326-18-T12	1				
18-T15A		BRACKET, IG. COIL-TRAILING			
N326-18-T15	1				
18-100B		COIL & IGNITER, LEADING DENSO			
N327-18-100	1				
18-100C		COIL & IGNITER, TRAILING DENSO			
N326-18-100B	1				
18-100D		COIL, IGNITION-LEADING DENSO			
N339-18-100	1				
18-100E		COIL, IGNITION-TRAILING DENSO			
N338-18-100	2				
18-110		PLUG, SPARK			
N328-18-110	2	BUR8EQ NGK (OPTION HOT TYPE)			
N329-18-110	2	BUR6EQ NGK (OPTION HOT TYPE)			
N342-18-110	2	BUR9EQ NGK (STD.)			
N343-18-110	2	BUR7EQ NGK (STD.)			
18-110S		PLUG SET, SPARK			
N3X4-18-110	1	BUR9EQ NGK			

(CONT'D)

CAT. AUFA02-96

1992-05

1-N10

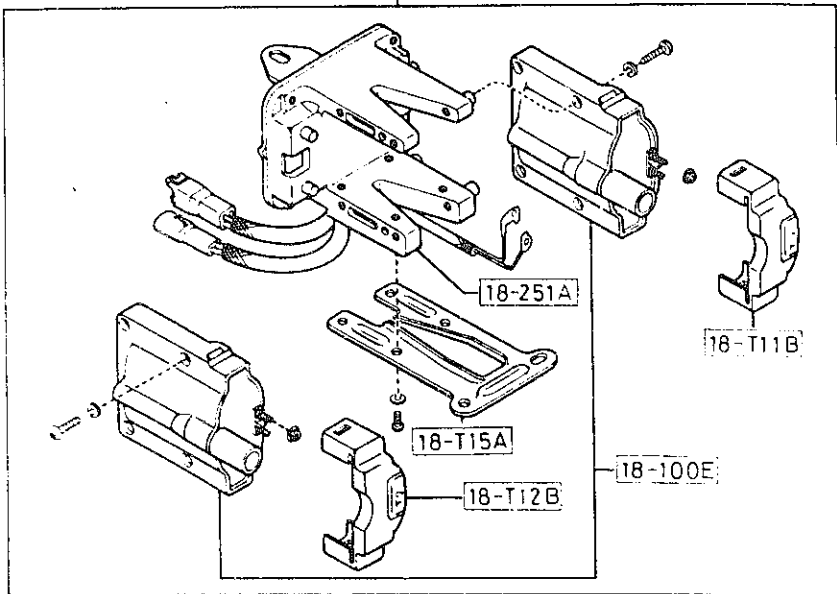
## SECTION NAME INDEX (ENGINE)

LO.NO	SEC.NO	SECTION NAME	LO.NO	SEC.NO	SECTION NAME	LO.NO	SEC.NO	SECTION NAME
1-C03	1000	SHORT ENGINE & GASKET SETS (W/O TURBO)	1-G11	1840	STARTER			
1-D03	1000 A	SHORT ENGINE & GASKET SETS (TURBO)	1-J11	1850	BATTERY			
1-E03	1030	ROTOR HOUSINGS (W/O TURBO)	1-K11	1910	TORQUE CONVERTER, OIL PUMP & PIPINGS (AUTOMATIC)			
1-G03	1030 A	ROTOR HOUSINGS (TURBO)	1-N11	1920	TRANSMISSION CASE & MAIN CONTROL SYSTEM (AUTOMATIC)			
1-J03	1040	OIL PAN, FRONT & REAR HOUSING (W/O TURBO)	1-I12	1925	CONTROL VALVE (AUTOMATIC)			
1-M03	1040 A	OIL PAN, FRONT & REAR HOUSING (TURBO)	1-D13	1930	CLUTCHES & PLANETARY GEARS (AUTOMATIC)			
1-D04	1100	ECCENTRIC SHAFT & FLYWHEEL	1-L13	1940	GOVERNOR, LOW & REVERSE PISTON (AUTOMATIC)			
1-G04	1110	ROTORS & RELATED PARTS	1-C14	1950	MANUAL LINKAGE SYSTEM (AUTOMATIC)			
1-I04	1300	INLET MANIFOLD	1-E14	1960	GASKET & SEAL KIT (AUTOMATIC)			
1-M04	1310	EXHAUST MANIFOLD						
1-N04	1311	INTER COOLER (TURBO)						
1-C05	1312	TURBO CHARGER (TURBO)						
1-F05	1320	FUEL SYSTEM						
1-H05	1325	FUEL DISTRIBUTOR						
1-I05	1330	AIR CLEANER						
1-M05	1350	STARTING ASSIST SYSTEM						
1-N05	1364	THROTTLE BODY						
1-F06	1371	AIR PUMP & AIR CONTROL VALVE						
1-I06	1380	EMISSION CONTROL SYSTEM						
1-D07	1399	CAP & HOSE CLIP (INLET & EXHAUST SIDE)						
1-F07	1400	OIL PUMP & FILTER (W/O TURBO)						
1-I07	1400 A	OIL PUMP & FILTER (TURBO)						
1-M07	1500	COOLING SYSTEM						
1-F08	1580	BRACKET, PULLEY & BELT						
1-C09	1600	CLUTCH DISC & COVER (MANUAL)						
1-F09	1700	TRANSMISSION CASE (MANUAL)						
1-J09	1710	TRANSMISSION GEARS (MANUAL)						
1-H10	1720	CHANGE CONTROL SYSTEM (MANUAL)						
1-M10	1800	ENGINE ELECTRICAL SYSTEM						
1-E11	1830	ALTERNATOR						

(TRAILING SIDE)

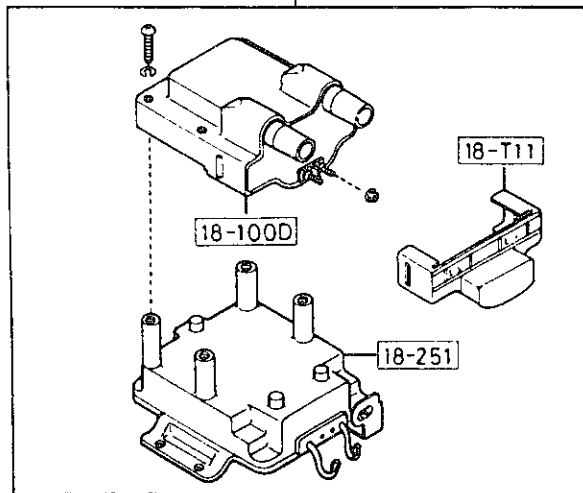
18-100C

(THIS ILLUSTRATION CONSISTS OF 2 PAGES)



(LEADING SIDE)

18-100B



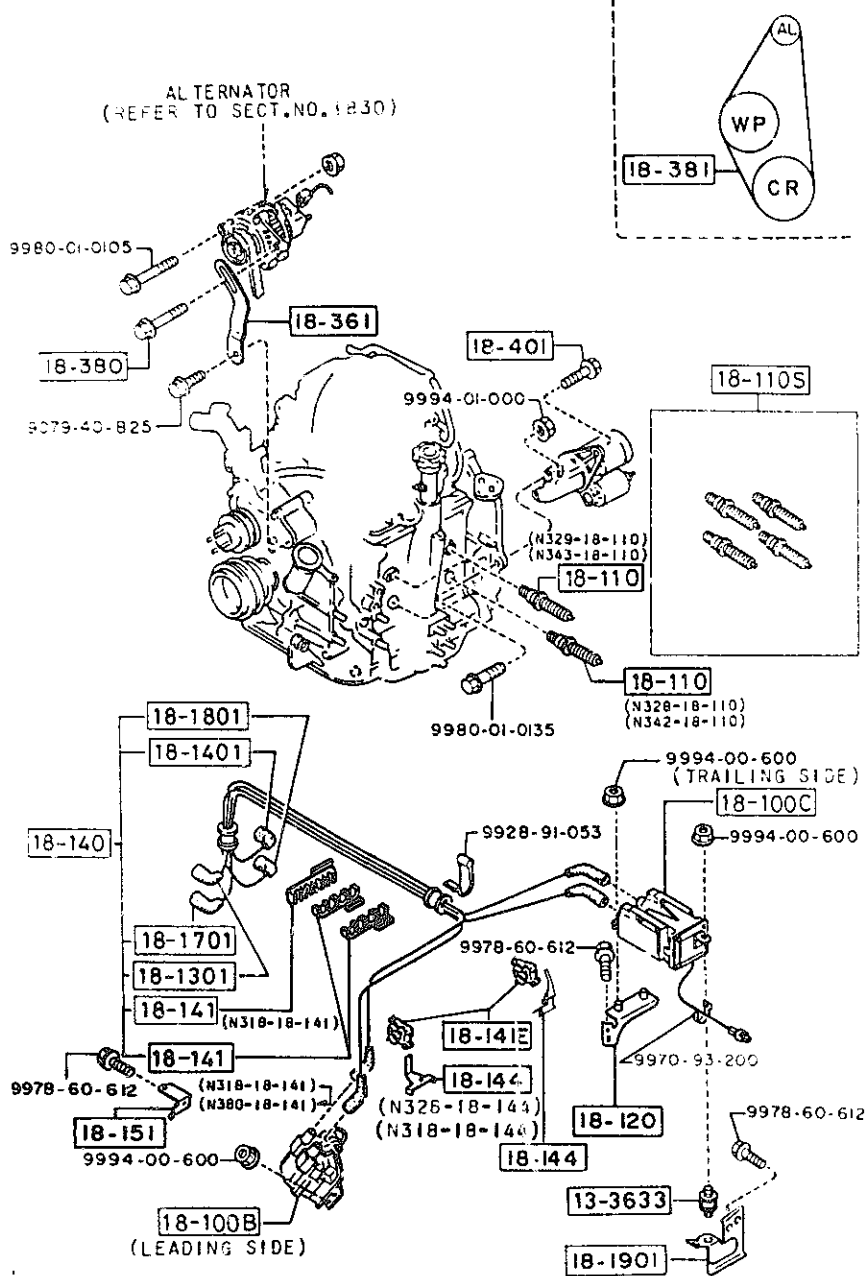
PART NO.	QTY	MODEL/RESTRICTION	MODEL/RESTRICTION	MODEL/RESTRICTION	FPDM-TD
18-120		BRACKET, IG. COIL			
N326-18-105	1				
18-1301		CORD, HIGH TENSION (T-1)			
N318-18-160B	1	(TURBO)			
N326-18-160B	1	(W/O TURBO)			
18-140		CORD SET, HI. TENSION			
N326-18-140B	1				-9501
A (N326-18-140C)					
N318-18-140C	1	(TURBO)			-9901
N326-18-140C	1	(W/O TURBO)			9501-
N380-18-140	1	(TURBO)			9901-
18-1401		CORD, HIGH TENSION (T-2)			
N318-18-190B	1	(TURBO)			
N326-18-190B	1	(W/O TURBO)			
18-141		SUPPORTER			
N318-18-141	3	(TURBO)			-9901
N318-18-141	1	(TURBO)			9901-
N380-18-141	2	(TURBO)			9901-
18-141E		SUPPORTER, CORD			
N326-18-141A	2	(TURBO)			
N326-18-141	1	(W/O TURBO)			-9401
N326-18-141A	1	(W/O TURBO)			9401-
18-144		BRACKET, SUPPORT-H.T. CORD			
N318-18-144	1	(TURBO)			
N326-18-144	1				
18-151		BRACKET, HI. CORD SUPPORTER			
N326-18-151	1	(W/O TURBO)			
18-1701		CORD, HIGH TENSION (T-1)			
N318-18-170B	1	(TURBO)			
N326-18-170B	1	(W/O TURBO)			
9401		FC3***-705390			
9501		FC3***-707092			
9901		FC3***-802200			



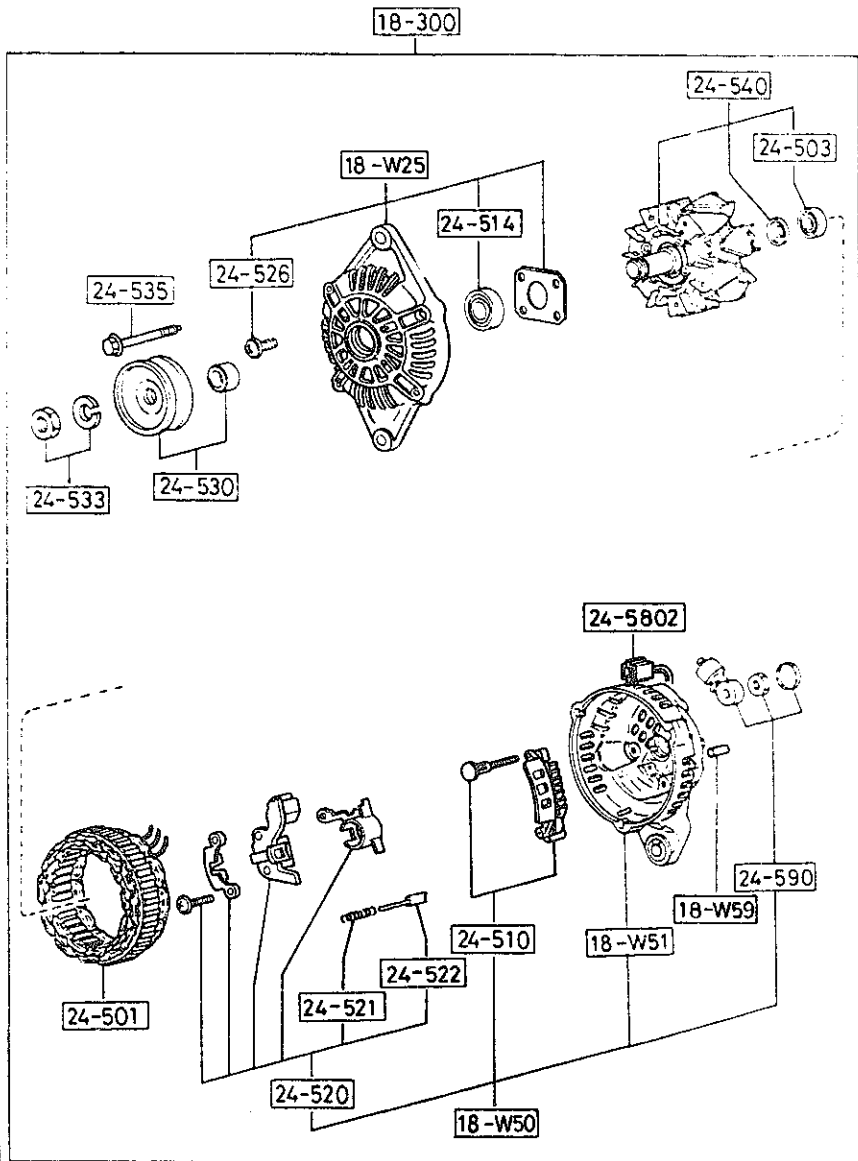
1800 ENGINE ELECTRICAL SYSTEM

(1/2)

(THIS ILLUSTRATION CONSISTS OF 2 PAGES)

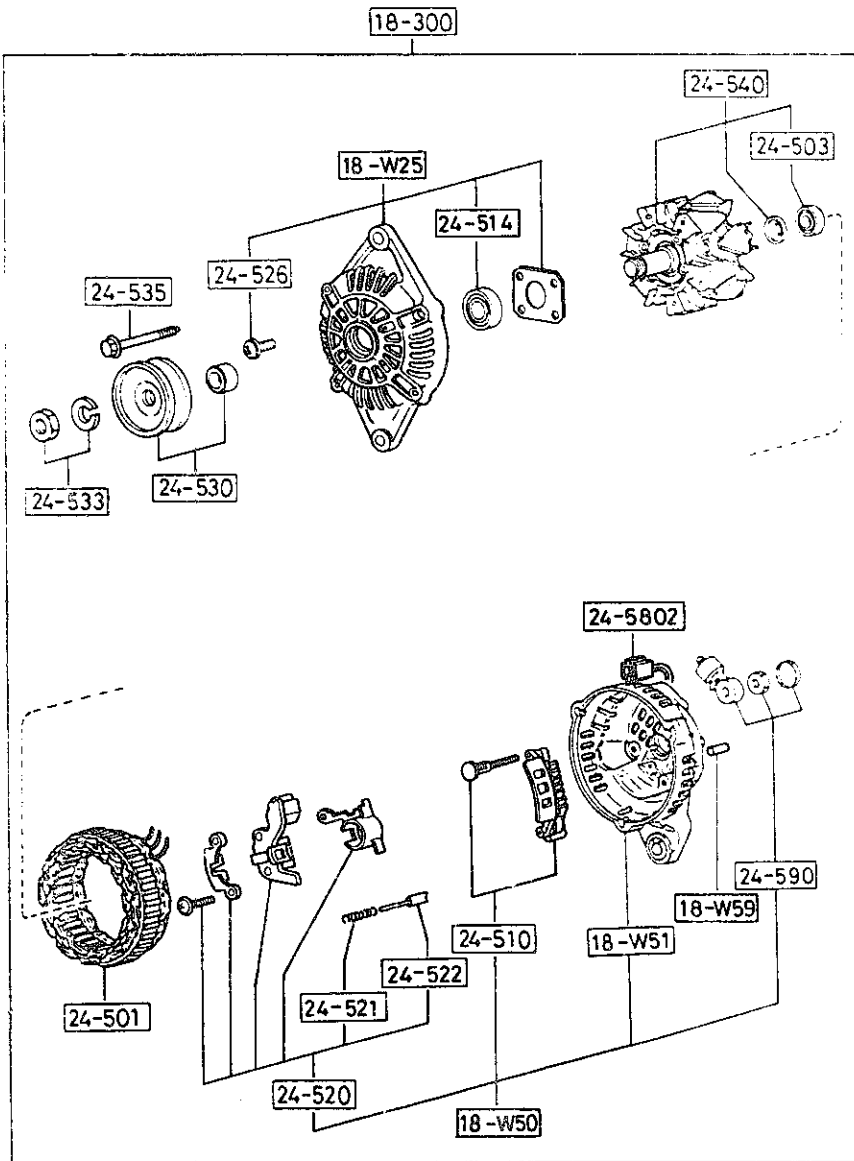


PART NO.	QTY	MODEL/RESTRICTION	MODEL/RESTRICTION	MODEL/RESTRICTION	FROM TO
18-1801	1	CORD, HIGH TENSION (L-2)			
N318-18-180B	1	(TURBO)			
N326-18-180B	1	(W/O TURBO)			
18-1901	1	BRKT, IGNITION COIL			
N326-18-115A	1				
18-251	1	IGNITER, IG. COIL-LEADING			
N327-18-251	1				
18-251A	1	IGNITER, IG. COIL-TRAILING			
N326-18-251A	1				
18-361	1	STRAP, ALTERNATOR			
N336-18-361	1				
18-380	1	BOLT, ALTERNATOR			
N326-18-397	1				
18-381	1	BELT 'V'			
N350-18-381	1				
18-401	1	BOLT, STARTER			
N327-18-401	1				



PART NO.	QTY	MODEL/RESTRICTION	MODEL/RESTRICTION	MODEL/RESTRICTION	FROM-TO
18-W25		COVER, FRONT-ALTERNATOR			
JE15-18-W25	1				
18-W50		COVER, REAR-ALTERNATOR (W/O TURBO)			
N350-18-W50	1				
N370-18-W50	1	(TURBO)			
18-W51		COVER, REAR-ALTERNATOR (W/O TURBO)			
N350-18-W51	1				
N370-18-W51	1	(TURBO)			
18-W59		PLUG			
B675-18-W59	1				
18-300		ALTERNATOR			
N370-18-300A A (N370-18-300B)	1				-0314
N350-18-300A A (N350-18-300B)	1				-0701
N370-18-300B	1	(TURBO)			0314-
N350-18-300B	1	(W/O TURBO)			0701-
24-501		STATOR			
JF07-18-W45	1				
24-503		BEARING, BALL-ALT. REAR			
N336-18-W36	1				
24-510		RECTIFIER			
N350-18-W60	1				
24-514		BEARING, BALL-ALT. FRONT			
F811-18-W27	1				
24-520		REGULATOR, VOLTAGE			
F285-18-W70	1	(W/O TURBO)			
JE15-18-W70A	1	(TURBO)			
24-521		SPRING, BRUSH			
8599-24-521	2				
0314 FC3***-806535					
0701 FC3***-807120					

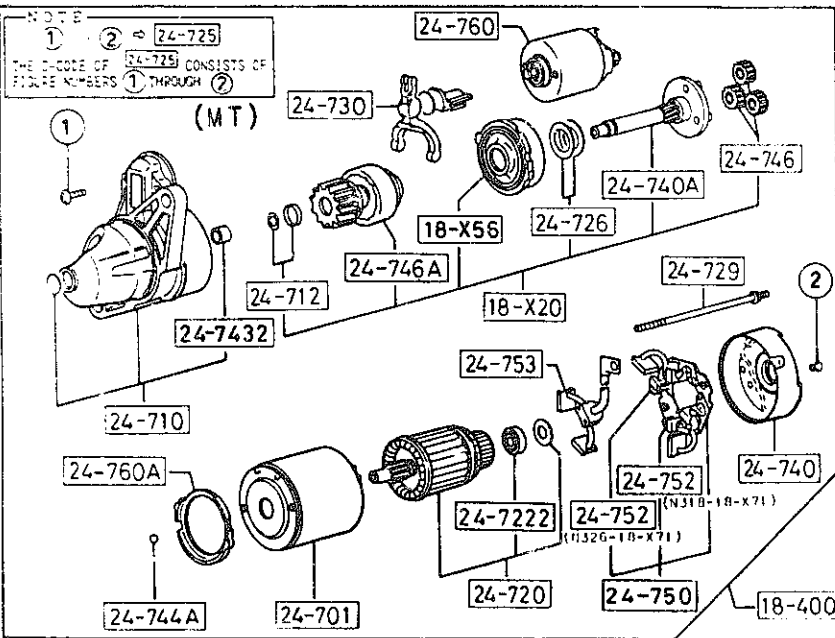
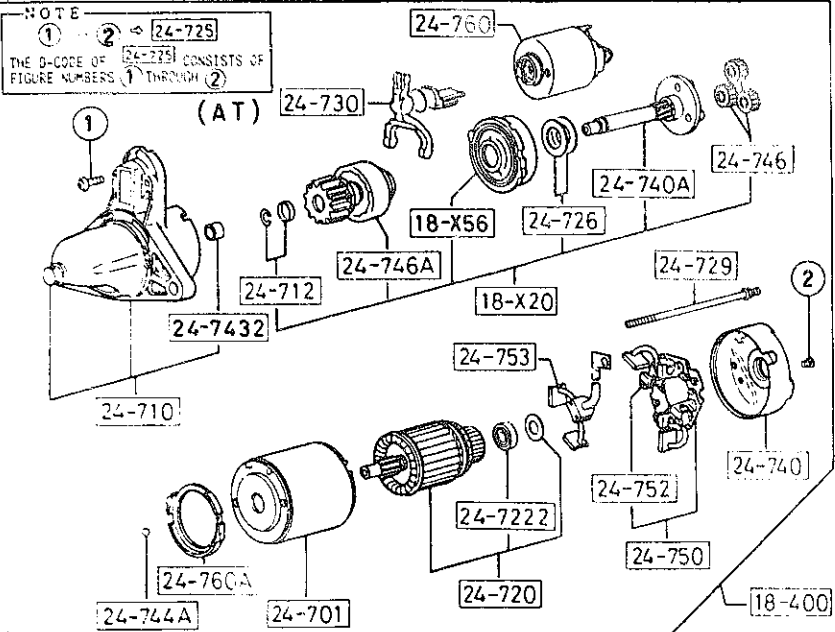
1830 ALTERNATOR



PART NO.	QTY	MODEL/RESTRICTION	MODEL/RESTRICTION	MODEL/RESTRICTION	FROM TO
24-522		BRUSH			
FE2H-18-W77	2				
24-526		SCREW SET			
RF71-18-W26	1				
24-530		PULLEY			
N336-18-W10	1				
24-533		NUT SET			
8028-24-533	1				
24-535		SCREW SET			
RF71-18-W20	1				
24-540		ROTOR			
JE15-18-W35 A (JE15-18-W35A)	1	ASBESTOS			-0314
JE15-18-W35 A (JE15-18-W35A)	1	ASBESTOS			-0701
JE15-18-W35A	1	NON ASBESTOS (TURBO)			0314-
JE15-18-W35A	1	NON ASBESTOS (W/O TURBO)			0701-
24-5802		CONNECTOR SET			
N370-18-W54	1	(TURBO)			
24-590		TERMINAL SET			
N350-18-W80	1				

0314 FC3MHH-806535  
0701 FC3MHH-807120

1840 STARTER



PART NO.	QTY	MODEL/RESTRICTION	MODEL/RESTRICTION	MODEL/RESTRICTION	FROM-TO
18-X20		SHAFT, PINION			
N318-18-X20	1	((W/O TURBO)>(AT) ) (TURBO)			
N326-18-X20	1	((W/O TURBO)>(MT) )			
18-X56		GEAR, INTERNAL-STARTER			
N326-18-X56	1				
18-400		STARTER			
N327-18-400	1	((W/O TURBO)>(AT) )			
N318-18-400 A (N318-18-400A)	1	ASBESTOS			-9821
N326-18-400 A (N326-18-400A)	1	ASBESTOS			-0601
N318-18-400A	1	NON ASBESTOS (TURBO)			9821-
N326-18-400A	1	NON ASBESTOS ((W/O TURBO)>(MT) )			0601-
24-701		YOKE			
N326-18-X65	1	(MT)			
N327-18-X65	1	(AT)			
24-710		BRACKET, FRONT			
N318-18-X00	1	(TURBO)			
N326-18-X00	1	((W/O TURBO)>(MT) )			
N327-18-X00	1	((W/O TURBO)>(AT) )			
24-712		STOPPER SET			
N326-18-X30	1				
24-720		ARMATURE			
N326-18-X60	1	ASBESTOS			
N327-18-X60	1	ASBESTOS ((W/O TURBO)>(AT) )			
N326-18-X60 A (F214-18-X60)	1	ASBESTOS			-9821
F214-18-X60	1	NON ASBESTOS (TURBO)			9821-
F214-18-X60	1	NON ASBESTOS ((W/O TURBO)>(MT) )			0601-
9821 FC3***-804601 0601 FC3***-806965					

AUFA02

CAT. AUFA02-06

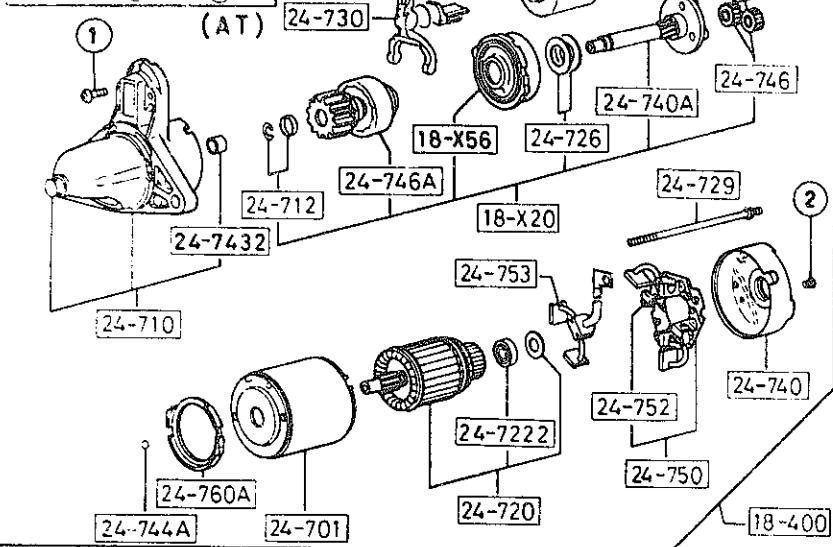
1992-05

1-G11

1840 STARTER

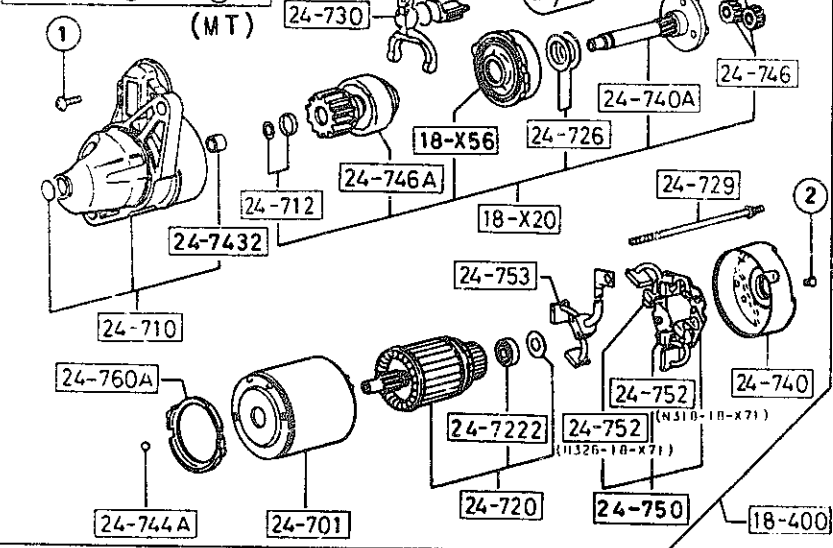
NOTE

① → ② ⇒ 24-725  
 THE D-CODE OF 24-725 CONSISTS OF  
 FIGURE NUMBERS ① THROUGH ②



NOTE

① → ② ⇒ 24-725  
 THE D-CODE OF 24-725 CONSISTS OF  
 FIGURE NUMBERS ① THROUGH ②



PART NO.	QTY	MODEL/RESTRICTION	MODEL/RESTRICTION	MODEL/RESTRICTION	FROM-TO
24-7222		SLEEVE, BEARING-REAR			
N326-18-X62	1				
24-725		SCREW SET			
E356-18-X95	1				
24-726		WASHER SET			
N326-18-X92	1				
24-729		BOLT			
JE01-18-X91	2 (AT)				
N326-18-X91	2 (MT)				
24-730		LEVER			
N326-18-X05	1				
24-740		BRACKET, REAR			
N318-18-X80	1 ((W/O TURBO)) >> (AT) ) (TURBO)				
N320-18-X80	1 ((W/O TURBO)) >> (MT) )				
24-740A		SHAFT			
N326-18-X40	1				
24-7432		SLEEVE, BEARING-FRONT			
E356-18-X01	1				
24-744A		BALL, STEEL			
N326-18-X93	1				
24-746		GEAR			
N326-18-X57	3				
24-746A		PINION			
N318-18-X25	1 ((W/O TURBO)) >> (AT) ) (TURBO)				
N326-18-X25	1 ((W/O TURBO)) >> (MT) )				
24-750		HOLDER, BRUSH			
JE01-18-X70	1 (AT)				
JF01-18-X70	1 (MT)				

AWPAB2

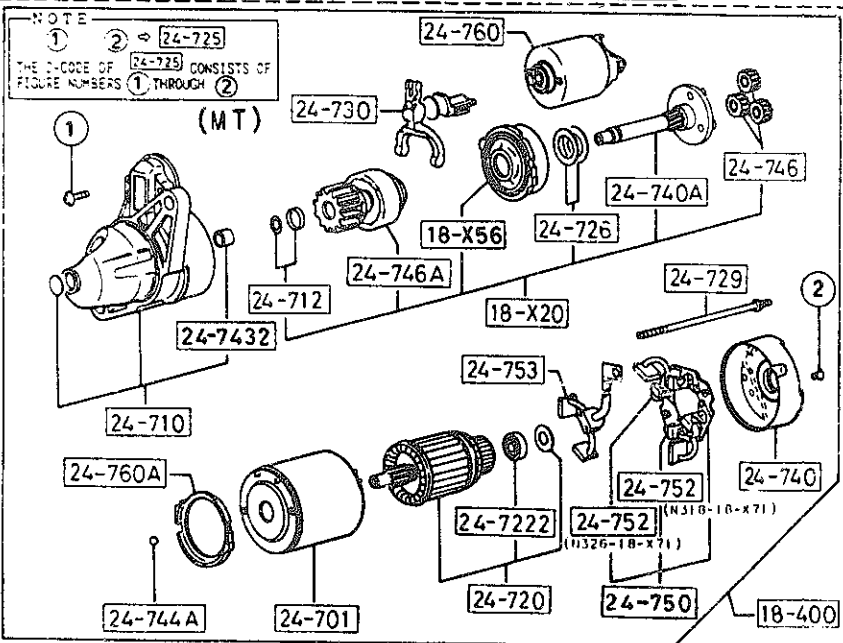
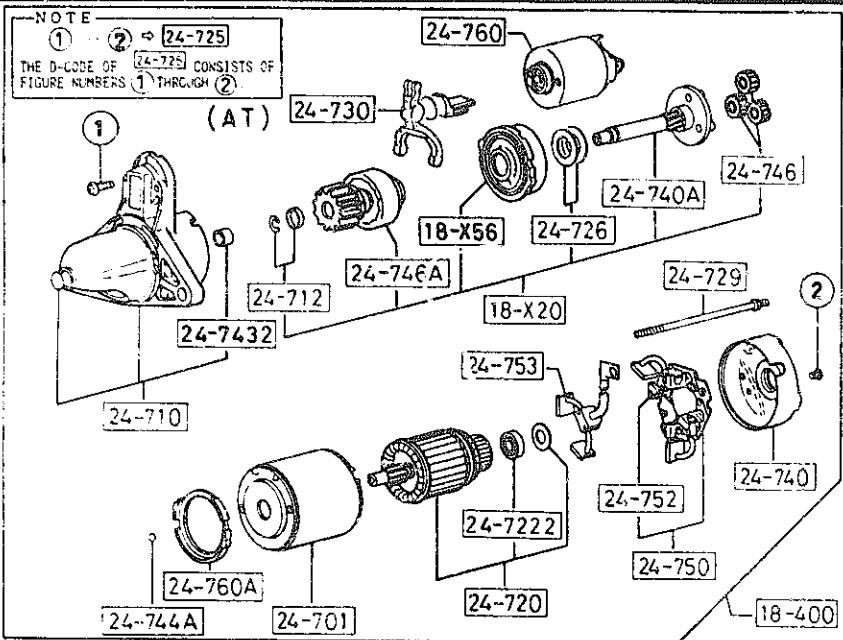
CAT. AUFA02-06

1992-05

1-H11

1840 STARTER

1840 -3 M STARTER



PART NO.	QTY	MODEL/RESTRICTION	MODEL/RESTRICTION	MODEL/RESTRICTION	FROM-TO
24-752		SPRING, BRUSH			
N318-18-X71	2	(MT)			
N326-18-X71	2	(MT)			
N327-18-X71	4	(AT)			
24-753		BRUSH, YOKE			
F214-18-X66	1	(MT)			
N319-18-X66	1	(AT)			
24-760		SWITCH			
N326-18-X10	1				
24-760A		GASKET			
N326-18-X87	1				

DM-10

992-05

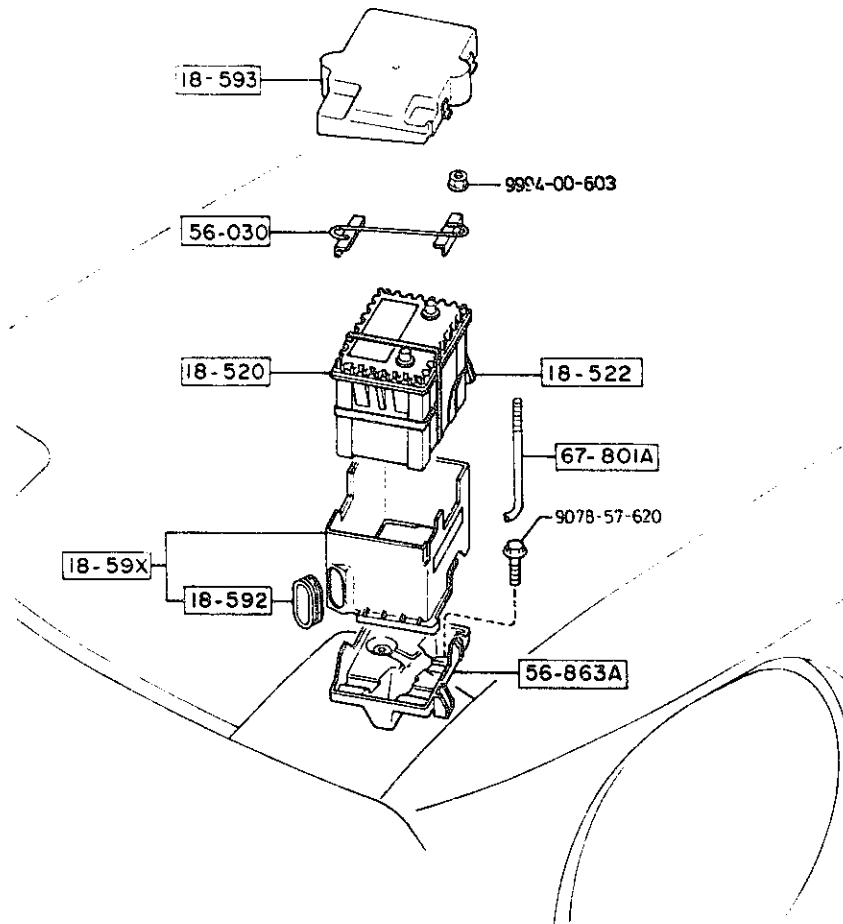
AUFA02

CAT. AUFA02-06

1992-05

1850 BATTERY

1850 -1 M BATTERY



PART NO.	QTY	MODEL/RESTRICTION	MODEL/RESTRICTION	MODEL/RESTRICTION	FROM-TO
18-520		BATTERY			
E566-18-520 A (E566-18-520A)	1	55D23L GS M/F TYPE			-0116
N251-18-520 A (N251-18-520A)	1	65D23L GS M/F TYPE			-0116
E566-18-520A	1	55D23L GS M/F TYPE			0116-
N251-18-520A	1	65D23L GS M/F TYPE			0116-
18-522		BAND, BATTERY			
FE50-18-522	1				-0601
N350-18-522	1				0601-
18-59X		BOX, BATTERY			
N318-18-59XE	1				
18-592		SEAL, RUBBER-BATTERY BOX			
N318-18-592A	1				
18-593		COVER, BOX-BATTERY			
N318-18-593C	1				
56-030		CLAMP, BATTERY			
FB01-56-030	1				
56-863A		TRAY, BATTERY			
FB01-56-981D	1				
67-801A		BOLT, CLAMP			
0243-56-231	2				
0116 FC3MXX-805673					
0601 FC3MXX-806965					

AUFA02

CAT. AUFA02-06

1907-05

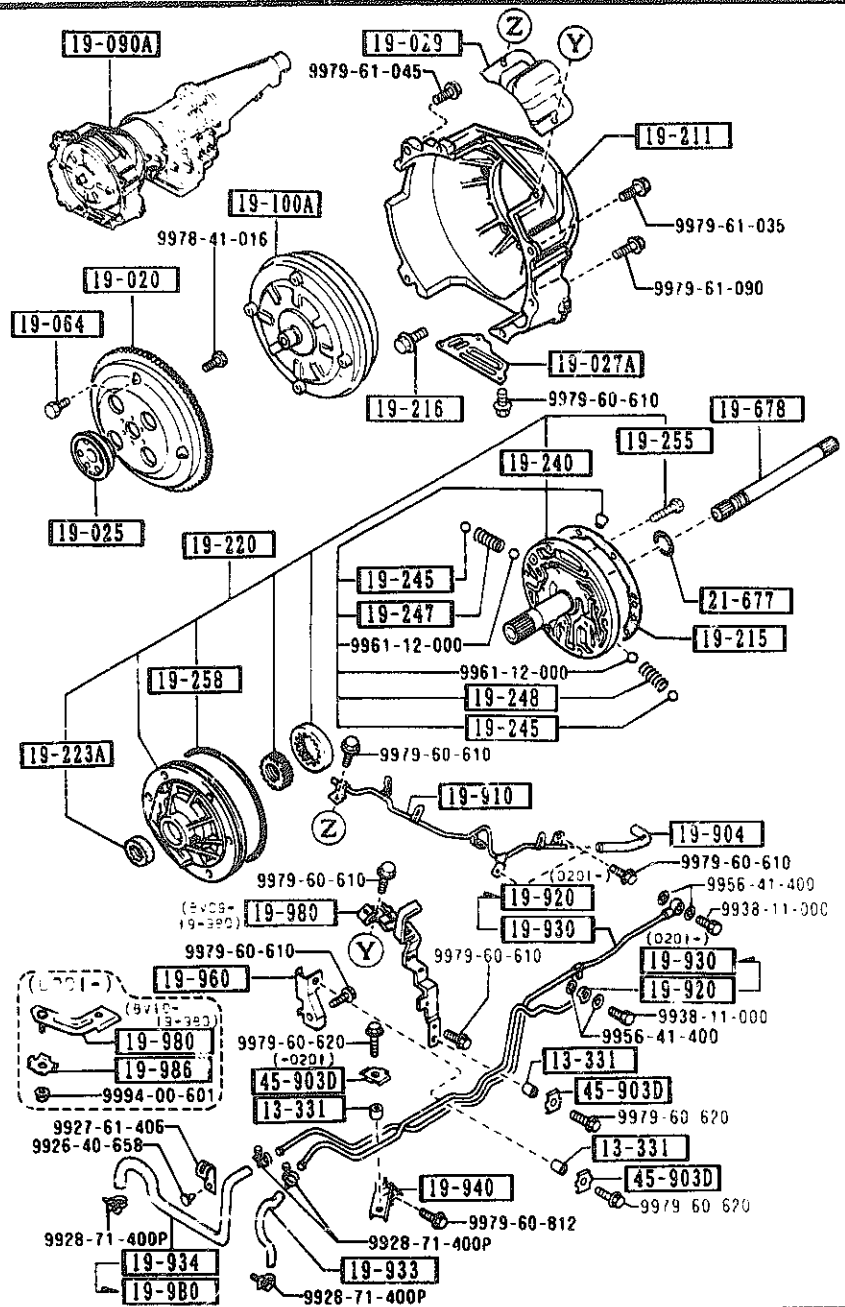
1-J11





1910 TORQUE CONVERTER, OIL PUMP & PIPINGS (AUTOMATIC)

1910 -2 TORQUE CONVERTER, OIL PUMP & PIPINGS (AUTOMATIC)



PART NO.	QTY	MODEL/RESTRICTION	MODEL/RESTRICTION	MODEL/RESTRICTION	FROM TO
CONT'D					
0338-19-223A	1				
19-240		COVER, OIL PUMP			
BV03-19-240B	1				
19-245		BALL			
0338-19-245A	2				
19-247		SPRING			
0338-19-247	1				
19-248		SPRING			
0338-19-248	1				
19-255		BOLT			
0338-19-255	5				
19-258		SEAL, CUT RING			
0338-19-258	1				
19-678		SHAFT, INPUT			
BV01-21-678C	1				
19-980		HOSE, OIL-OIL PUMP			
BV09-19-980A	1				0201-
19-904		HOSE, VACUUM			
BV09-19-904	1				
19-910		PIPE, VACUUM			
BV09-19-910	1				-0201
A (BV09-19-910A)					
BV09-19-910A	1				0201-
19-920		PIPE, OIL			
BV09-19-920	1				-0201
BV09-19-920B	1				0201-
19-930		PIPE, OIL			
BV09-19-930	1				-0201
BV09-19-930B	1				0201-
0201 FC3MM-806074					

AUFA02

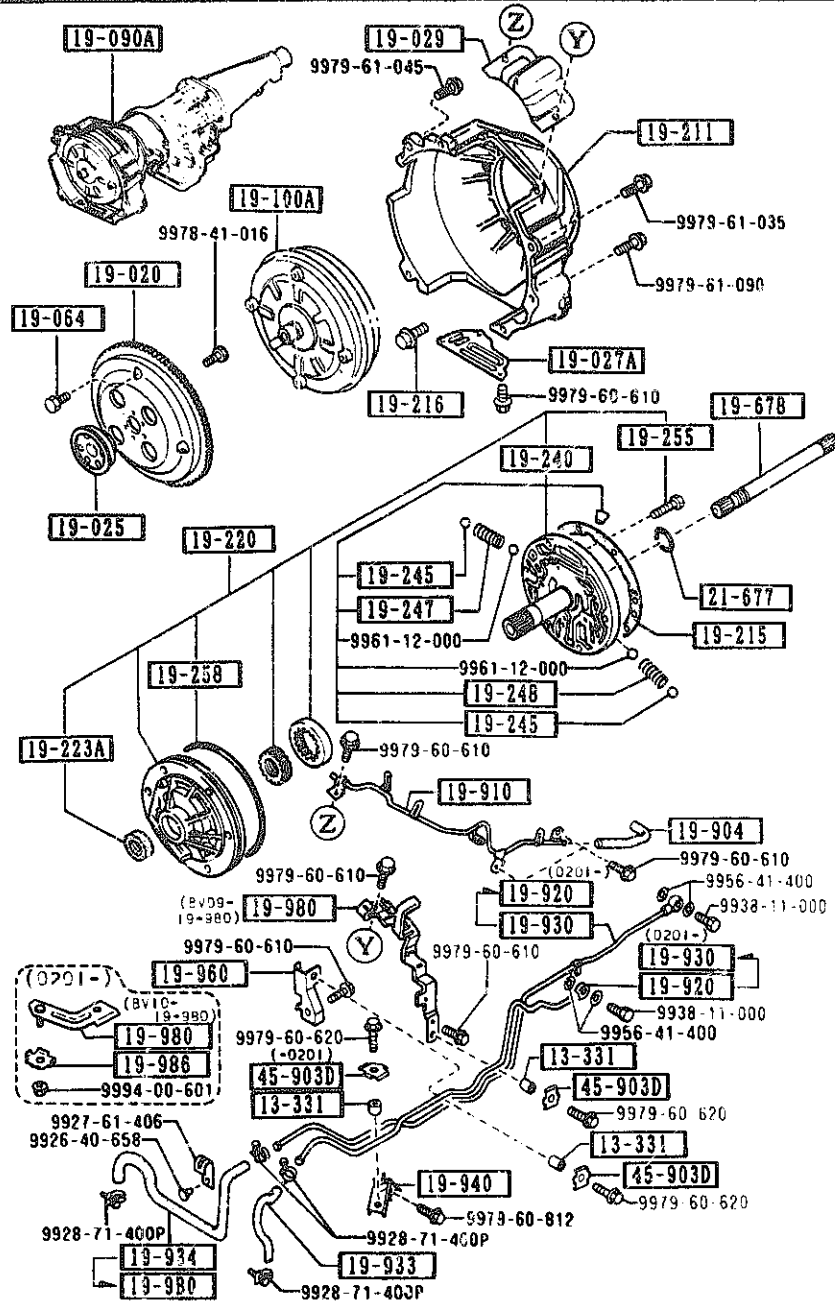
CAT. AUFA02-05

1992-05

1-L11

1910 TORQUE CONVERTER, OIL PUMP & PIPINGS (AUTOMATIC)

1910 -3 M TORQUE CONVERTER, OIL PUMP & PIPINGS (AUTOMATIC)



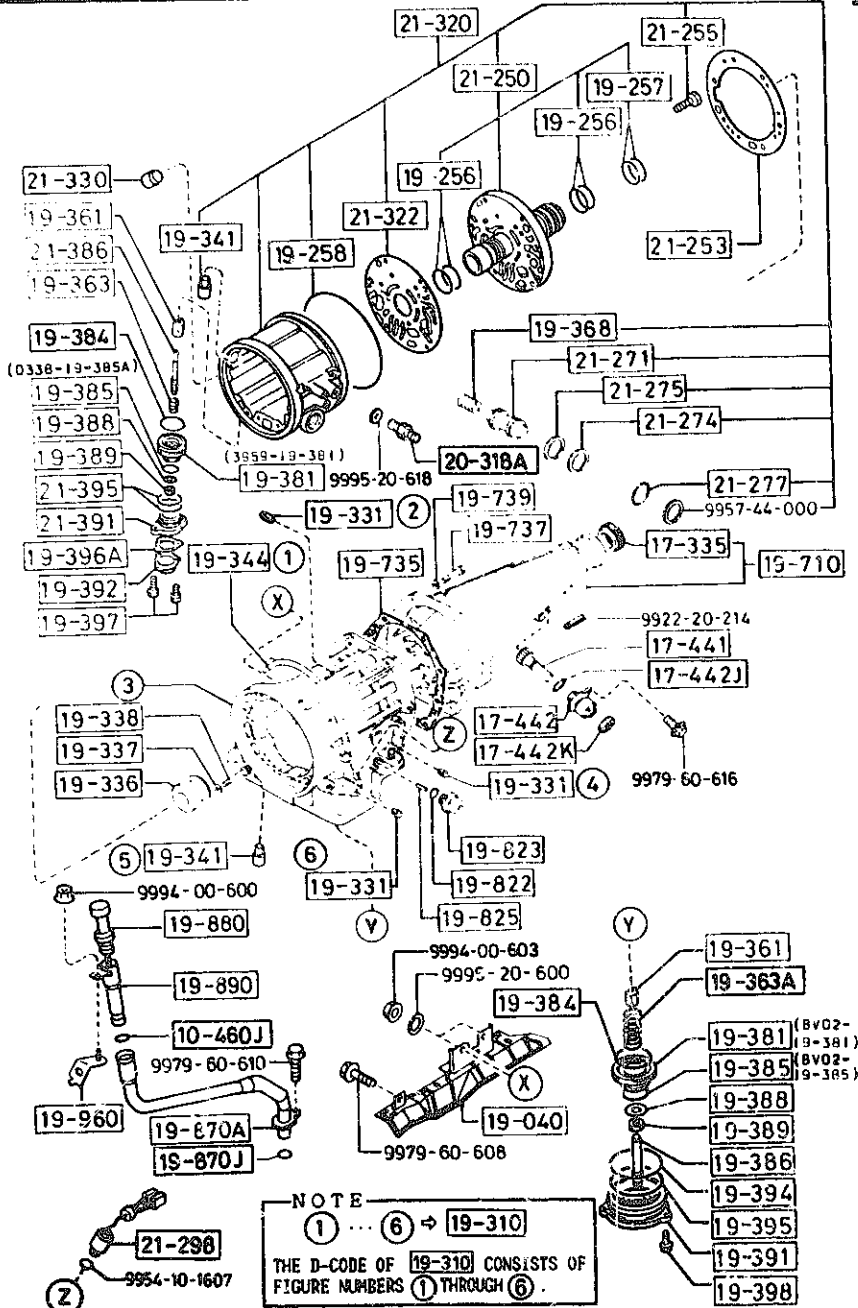
PART NO.	QTY	MODEL/RESTRICTION	MODEL/RESTRICTION	MODEL/RESTRICTION	FROM-TO
19-933		HOSE, OIL			
BU17-19-933B	1				-0201
BV09-19-933A	1				0201-
19-934		HOSE, OIL			
BU17-19-934B	1				-0201
19-940		BRACKET, PIPE			
BU17-19-940	1				
19-960		BRACKET			
BU17-19-961A	1				
19-980		BRACKET			
BV09-19-980	1				
BV10-19-980	1				0201-
19-986		CLIP			
BV10-19-986	1				0201-
21-677		RING, 'O'			
BV01-21-677	1				
45-903D		CLIP, PIPE			
0866-45-903A	3				-0201
0866-45-903A	2				0201-
0201 FC3***-806074					

AUFA02

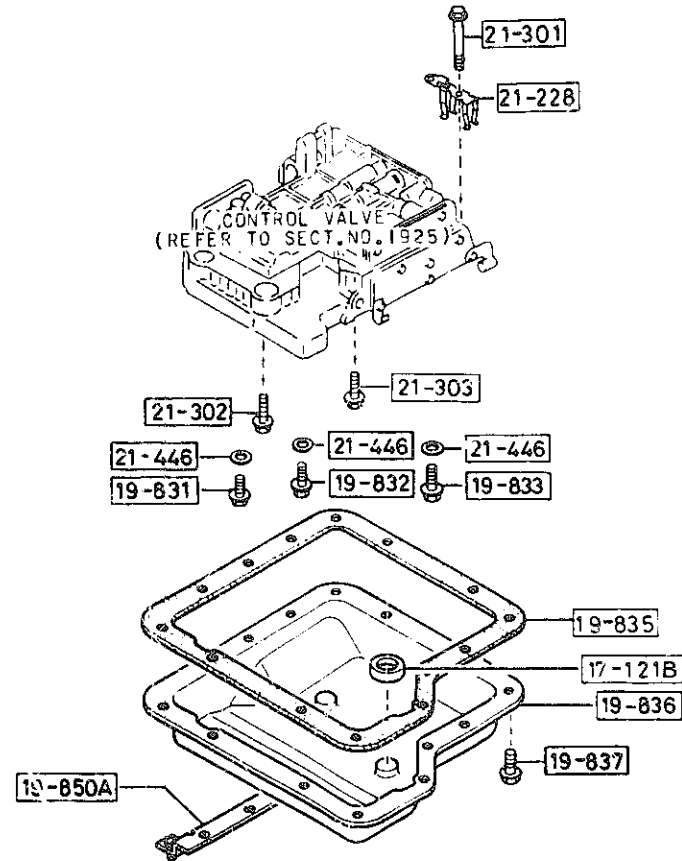
CAT. AUFA02-06

1992-05

1-M11



NOTE  
 ① ... ⑥ ⇨ 19-310  
 THE D-CODE OF 19-310 CONSISTS OF  
 FIGURE NUMBERS ① THROUGH ⑥.



1-N11

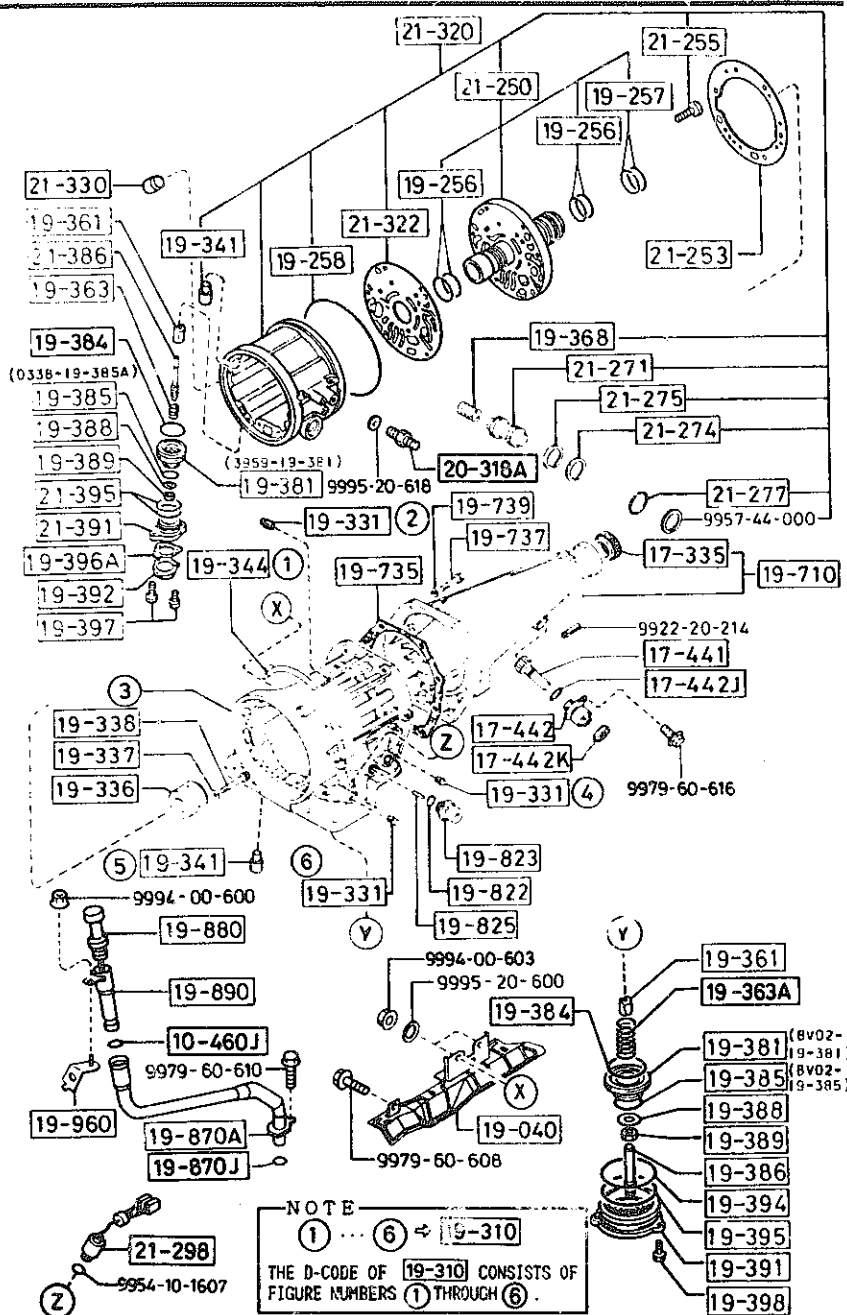
## SECTION NAME INDEX (ENGINE)

LO.NO	SEC.NO	SECTION NAME	LO.NO	SEC.NO	SECTION NAME	LO.NO	SEC.NO	SECTION NAME
1-C03	1000	SHORT ENGINE & GASKET SETS (W/O TURBO)	1-G11	1840	STARTER			
1-D03	1000 A	SHORT ENGINE & GASVET SETS (TURBO)	1-J11	1850	BATTERY			
1-E03	1030	ROTOR HOUSINGS (W/O TURBO)	1-K11	1910	TORQUE CONVERTER,OIL PUMP & PIPINGS (AUTOMATIC)			
1-G03	1030 A	ROTOR HOUSINGS (TURBO)	1-N11	1920	TRANSMISSION CASE & MAIN CONTROL SYSTEM (AUTOMATIC)			
1-J03	1040	OIL PAN,FRONT & REAR HOUSING (W/O TURBO)	1-I12	1925	CONTROL VALVE (AUTOMATIC)			
1-M03	1040 A	OIL PAN,FRONT & REAR HOUSING (TURBO)	1-D13	1930	CLUTCHES & PLANETARY GEARS (AUTOMATIC)			
1-D04	1100	ECCENTRIC SHAFT & FLYWHEEL	1-L13	1940	GOVERNOR, LOW & REVERSE PISTON (AUTOMATIC)			
1-G04	1110	ROTORS & RELATED PARTS	1-C14	1950	MANUAL LINKAGE SYSTEM (AUTOMATIC)			
1-I04	1300	INLET MANIFOLD	1-E14	1960	GASKET & SEAL KIT (AUTOMATIC)			
1-M04	1310	EXHAUST MANIFOLD						
1-N04	1311	INTER COOLER (TURBO)						
1-C05	1312	TURBO CHARGER (TURBO)						
1-F05	1320	FUEL SYSTEM						
1-H05	1325	FUEL DISTRIBUTOR						
1-I05	1330	AIR CLEANER						
1-M05	1350	STARTING ASSIST SYSTEM						
1-N05	1364	THROTTLE BODY						
1-F06	1371	AIR PUMP & AIR CONTROL VALVE						
1-I06	1380	EMISSION CONTROL SYSTEM						
1-D07	1399	CAP & HOSE CLIP (INLET & EXHAUST SIDE)						
1-F07	1400	OIL PUMP & FILTER (W/O TURBO)						
1-I07	1400 A	OIL PUMP & FILTER (TURBO)						
1-M07	1500	COOLING SYSTEM						
1-F08	1580	BRACKET,PULLEY & BELT						
1-C09	1600	CLUTCH DISC & COVER (MANUAL)						
1-F09	1700	TRANSMISSION CASE (MANUAL)						
1-J09	1710	TRANSMISSION GEARS(MANUAL)						
1-H10	1720	CHANGE CONTROL SYSTEM (MANUAL)						
1-M10	1800	ENGINE ELECTRICAL SYSTEM						
1-E11	1830	ALTERNATOR						

CATLOG-NO= AUFA02-06

DATE. 1992-05

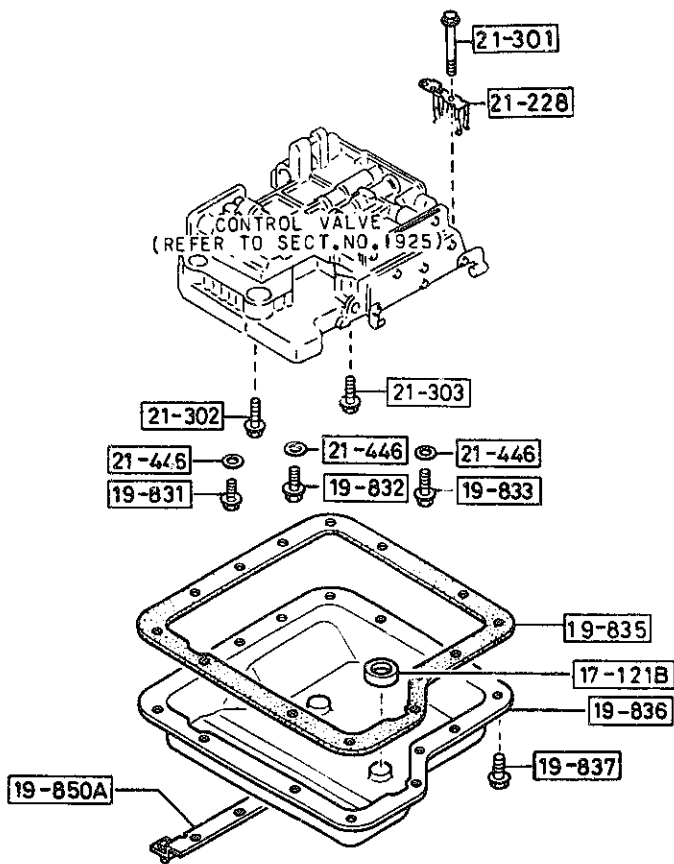
1-B12



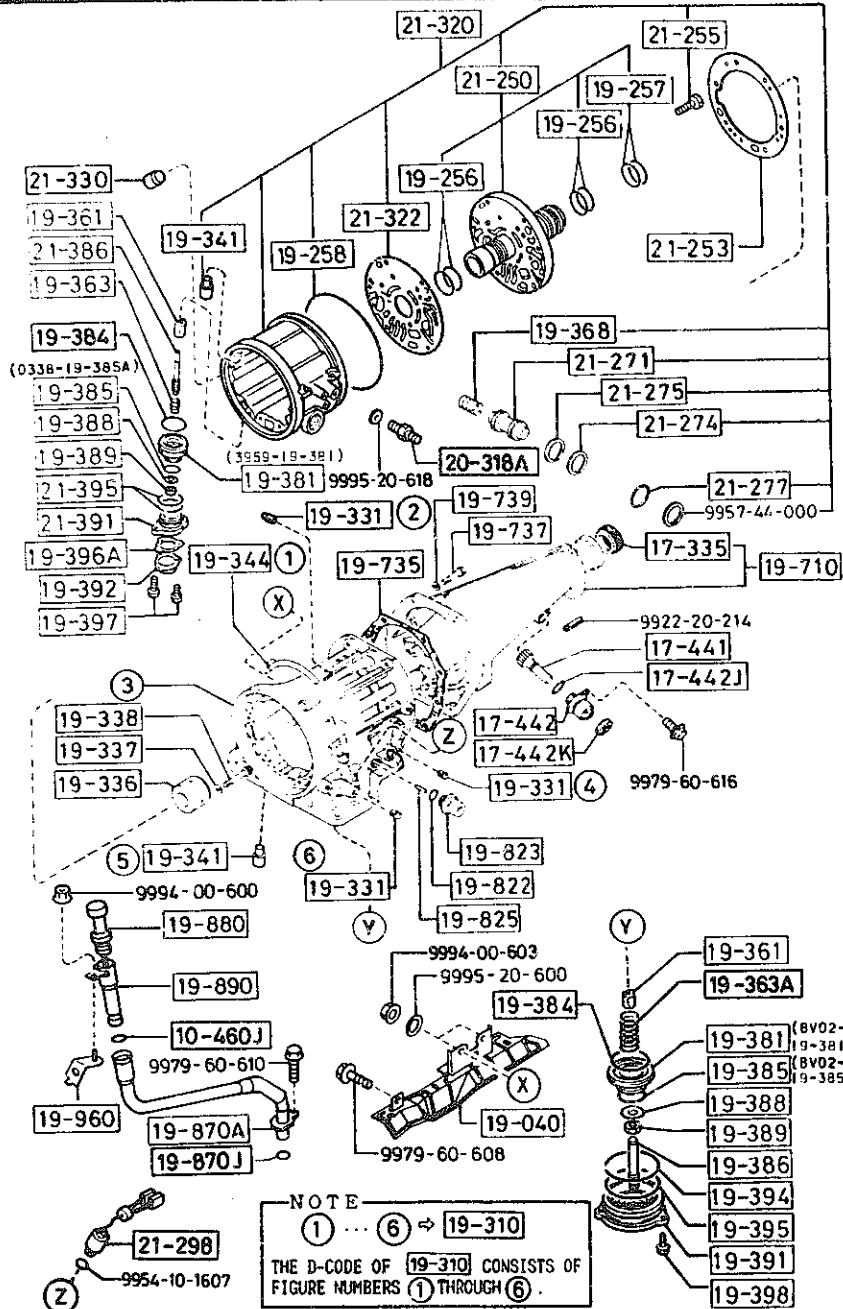
NOTE  
① ... ⑥ ⇌ 19-310  
THE D-CODE OF 19-310 CONSISTS OF  
FIGURE NUMBERS ① THROUGH ⑥.

PART NO.	QTY	MODEL/RESTRICTION	MODEL/PESTRITION	MODEL/PESTRITION	FROM-TO
10-460J		RING, 'O'			
99541-01201	1				
17-121B		MAGNET			
F401-17-121	2				
17-335		SEAL, OIL			
M502-17-335A	1				-9120
R501-17-335A	1				9120-
17-441		GEAR, DRIVEN			
0862-17-441A	1	N=19 (CPE)			
1669-17-441A	1	N=20 (CONVERTIBLE)			
17-442		SLEEVE, SPEEDOMETER			
1669-17-442B	1				
17-442J		RING, 'O'			
1011-17-443	1				
17-442K		SEAL, OIL			
99586-08166	1				
19-040		INSULATOR, OIL PAN			
BV09-19-040	1				
19-256		RING, SEAL			
BU01-19-256	4				
19-257		RING, SEAL			
BU01-19-257	2				
19-258		SEAL, CUT RING			
0338-19-258	1				
19-310		CASE, T/MISSION			
BV09-19-310	1				
19-331		PLUG, SQUARE HEAD			
9120 FC3MMH-700643					

1920 TRANSMISSION CASE & MAIN CONTROL SYSTEM (AUTOMATIC)(2/2)  
 (THIS ILLUSTRATION CONSISTS OF 2 PAGES)

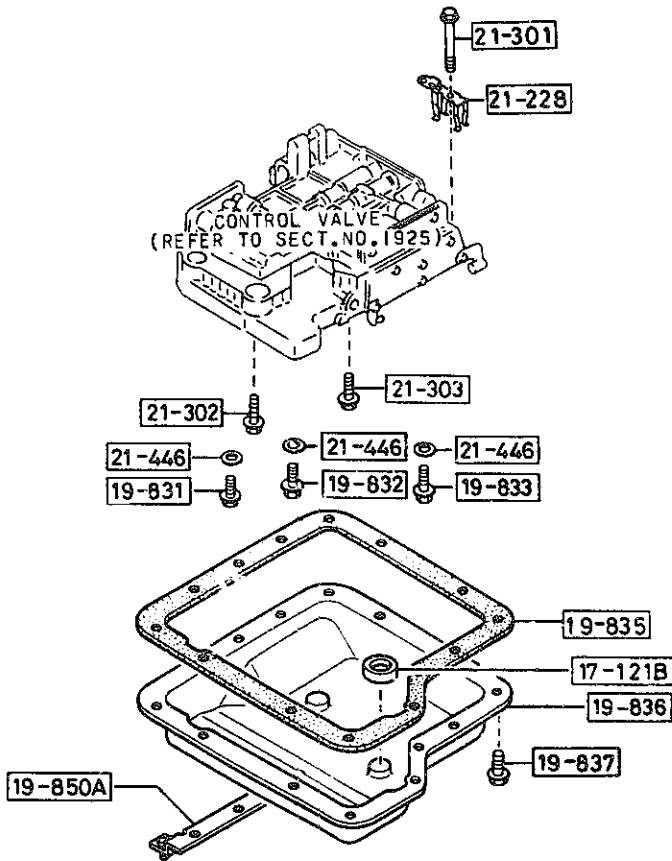


PART NO.	QTY	MODEL/RESTRICTION	MODEL/RESTRICTION	MODEL/RESTRICTION	FROM-TO
CONT'D					
0338-19-331A	3				
19-336		RACE, INNER			
0338-19-336	1				
19-337		WASHER, PLAIN			
0338-19-337	8				
19-338		BOLT			
0338-19-338	8				
19-341		BOLT, ANCHOR END			
0338-19-341	2				
19-344		BREATHER, AIR			
0397-19-340	1				
19-361		STRUT, BAND			
0338-19-361B	2				
19-363		SPRING, PISTON RETURN			
FT40-19-363	1				
19-363A		SPRING, PISTON RETURN			
BU17-19-363	1				
19-368		SPRING, CUSHION-PISTON STEM			
BU20-19-368	1				
19-381		PISTON, BAND SERVO			
BV02-19-381	1				
3959-19-381	1				
19-384		SEAL, PISTON			
3959-19-384	2				
19-385		SEAL, PISTON			
BV02-19-385	1	D=46.6MM			
0338-19-385A	1	D=40MM			



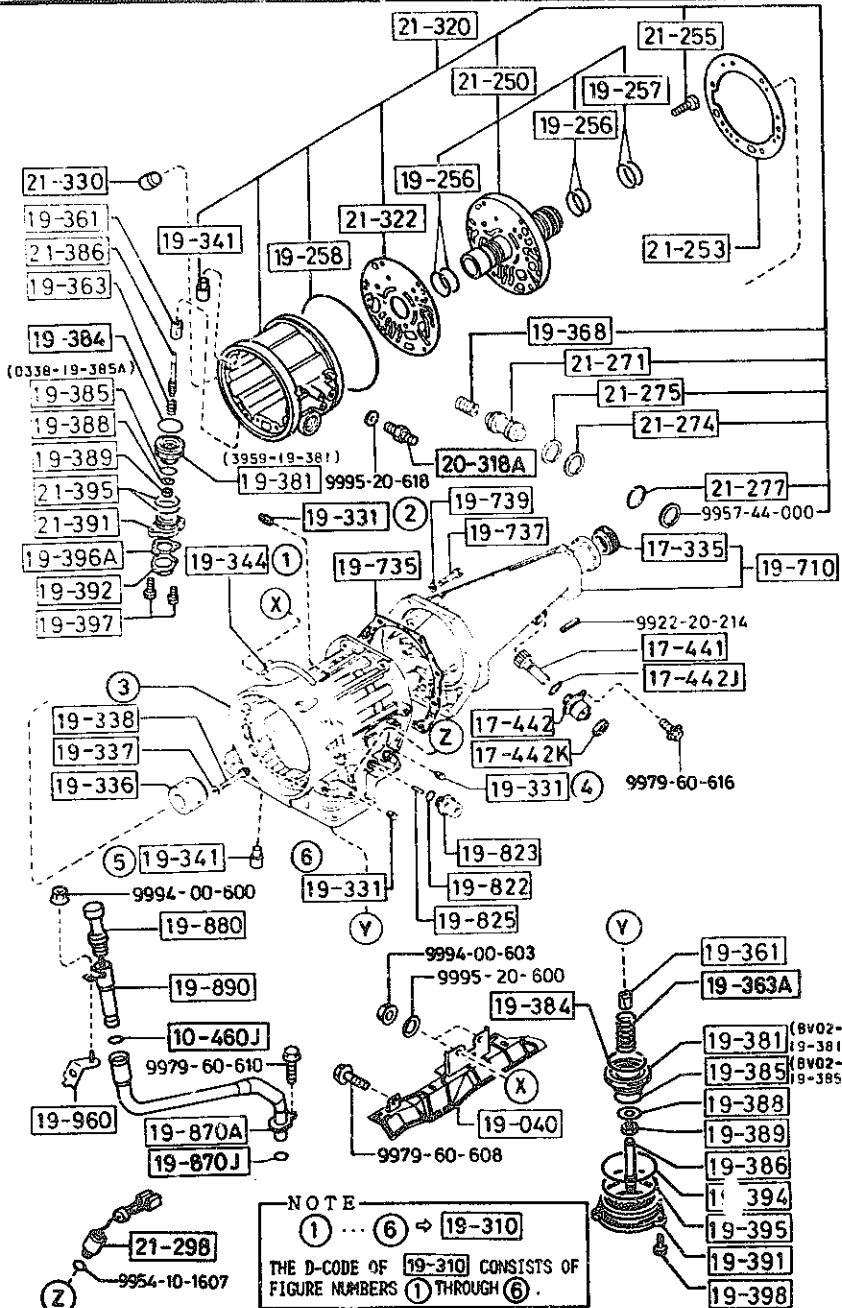
PART NO.	QTY	MODEL/RESTRICTION	MODEL/RESTRICTION	MODEL/RESTRICTION	FROM-TO
19-386		STEM, PISTON			
0338-19-386A	1				
19-388		WASHER, PLAIN			
0338-19-388A	2				
19-389		NUT			
0338-19-389	2				
19-391		RETAINER, SERVO			
BV02-19-391	1				
19-392		COVER, SERVO			
1758-19-392A	1				
19-394		SEAL, LATHE CUT			
BV01-19-394	1				
19-395		RING, 'O'			
0338-19-395	1				
19-396A		GASKET ASBESTOS			
1758-19-394A	1				
19-397		BOLT			
1758-19-397	3				
19-398		BOLT			
0338-19-398	3				
19-710		HOUSING, EXTENSION			
BU17-19-710	1				-9120
BV09-19-710	1				9120-
19-735		GASKET, EXTENSION ASBESTOS			
0338-19-735	1				
19-737		BOLT			
0338-19-737	8				
9120 FC3MM-700643					

1920 TRANSMISSION CASE & MAIN CONTROL SYSTEM (AUTOMATIC)(2/2)  
 (THIS ILLUSTRATION CONSISTS OF 2 PAGES)



PART NO.	QTY	MODEL/RESTRICTION	MODEL/RESTRICTION	MODEL/RESTRICTION	FROM-TO
19-739		WASHER, PLAIN			
0338-19-739	8				
19-822		SEAL, 'O'RING			
0338-19-822	1				
19-823		DIAPHRAGM, VACUUM			
BV04-19-823A	1				
19-825		ROD, DIAPHRAGM			
0338-19-825	1	L=30MM			
0338-19-826	1	L=31MM			
0338-19-827	1	L=30.5MM			
0338-19-828	1	L=29MM			
0338-19-829	1	L=29.5MM			
19-831		BOLT, CONTROL VALVE			
0338-19-831	3				
19-832		BOLT, CONTROL VALVE			
0338-19-832	2				
19-833		BOLT, CONTROL VALVE			
0338-19-833	2				
19-835		GASKET, OIL PAN			
0338-19-835B	1	ASBESTOS			
19-836		PAN, OIL			
BV02-19-836	1				
19-837		BOLT, OIL PAN			
0338-19-837	17				
19-850A		BRACKET, INSULATOR			
BV09-19-850	1				





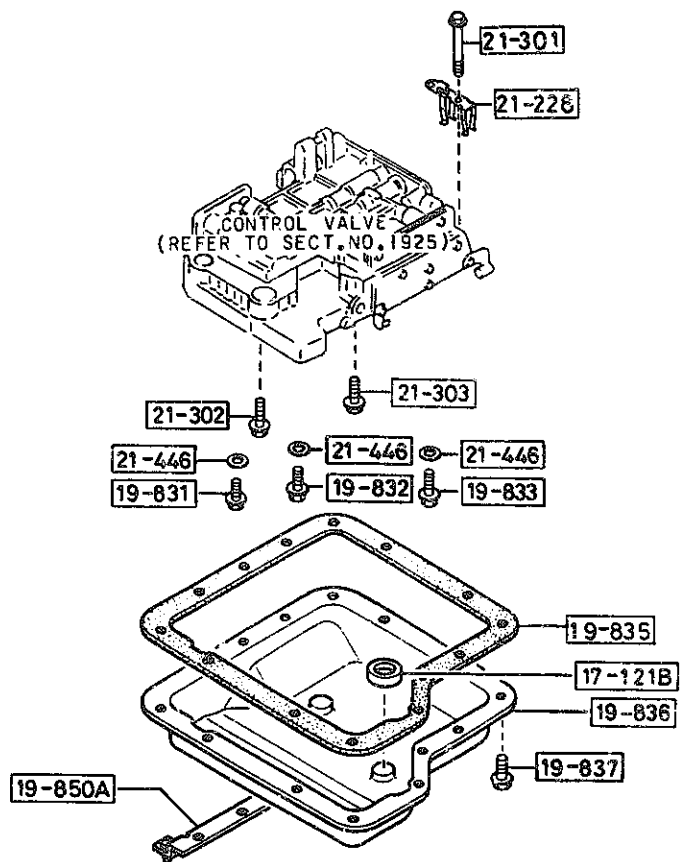
NOTE  
 ① ... ⑥ ⇨ 19-310  
 THE D-CODE OF 19-310 CONSISTS OF  
 FIGURE NUMBERS ① THROUGH ⑥.

PART NO.	QTY	MODEL/RESTRICTION	MODEL/RESTRICTION	MODEL/RESTRICTION	FROM-TO
19-870A		TUBE, FILLER			
BV09-19-870	1				
19-870J		RING, 'O'			
99541-01601	1				
19-880		GAUGE, OIL LEVEL			
BV05-19-880A	1				
19-890		TUBE, OIL FILTER-UPPER			
BU17-19-890B	1				
19-960		BRACKET			
BV09-19-960	1				
20-318A		BOLT			
BU27-19-838	1				0201-
21-228		HOLDER, SOCKET			
BV01-21-228A	1				
21-250		SUPPORT, DRUM			
BV01-21-250A	1				
21-253		GASKET, DRUM SUPPORT ASBESTOS			
BU01-21-253	1				
21-255		BOLT			
BU01-21-255	5				
21-271		PISTON, ACCUMULATOR			
BV01-21-271	1				
21-274		SEAL, 'J'RING			
BU01-21-274	1				
21-275		SEAL, 'O'RING			
BV01-21-275	1				
21-277		RING, 'O'			

0201 FC3MNM-806074

FROM-TO

1920 TRANSMISSION CASE & MAIN CONTROL SYSTEM (AUTOMATIC)(2/2)  
 (THIS ILLUSTRATION CONSISTS OF 2 PAGES)



1920 -6 \* TRANSMISSION CASE & MAIN CONTROL SYSTEM (AUTOMATIC)

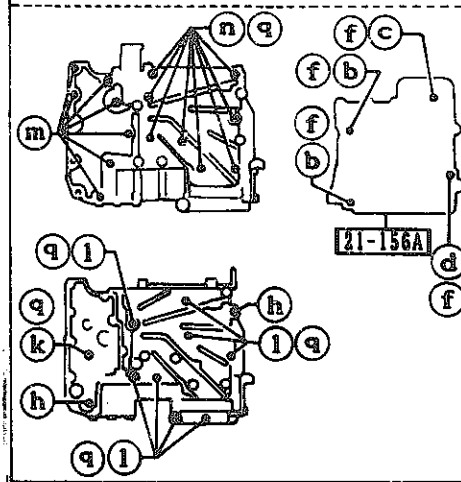
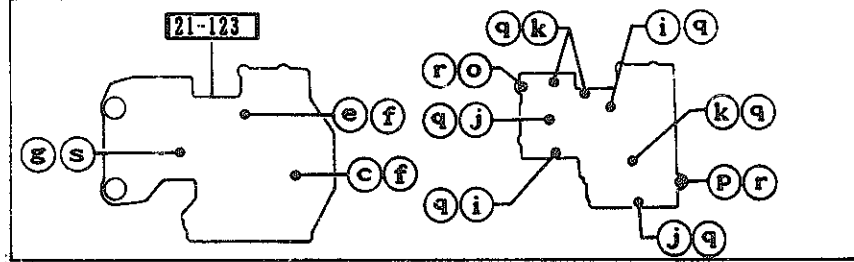
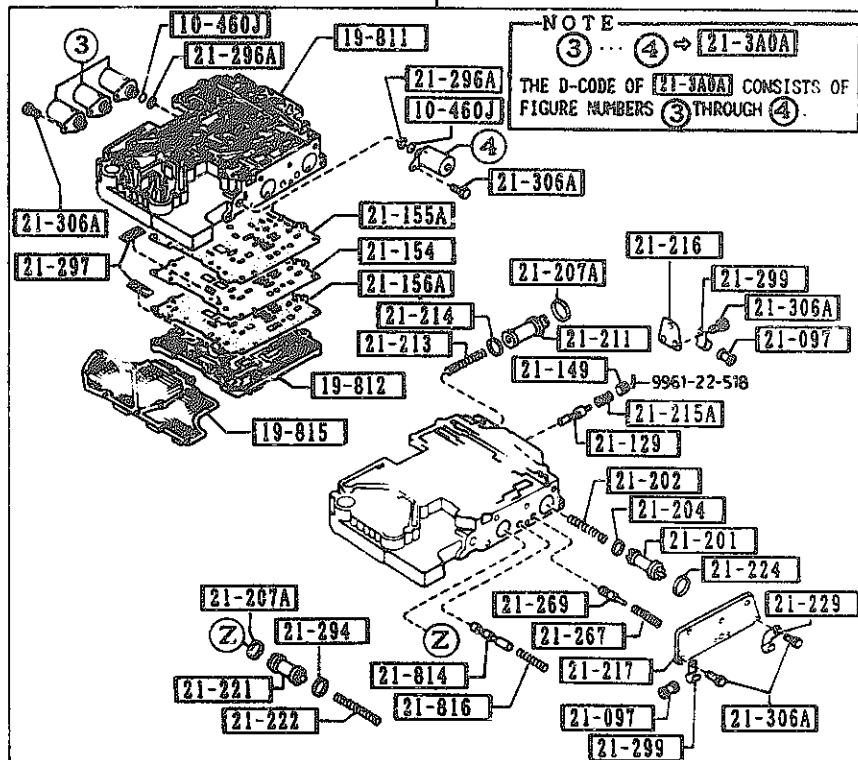
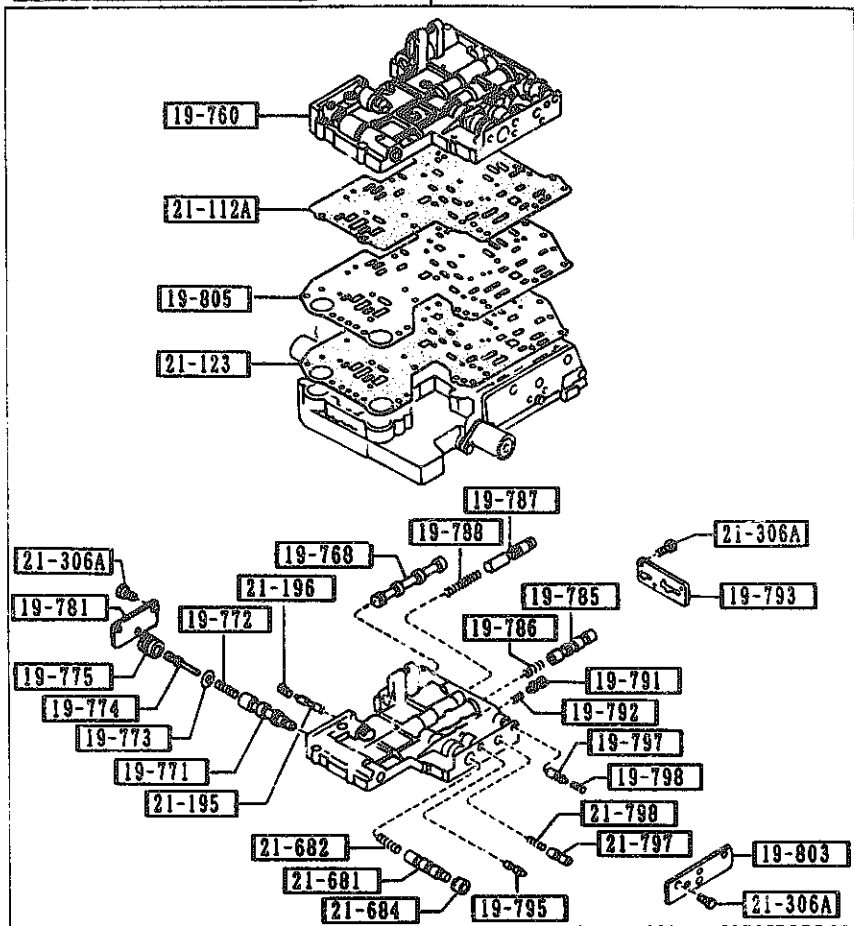
PART NO.	QTY	MODEL/RESTRICTION	MODEL/RESTRICTION	MODEL/RESTRICTION	FROM-TO
CONT'D BU01-21-277	1				
21-298		COUPLER, SOLENOID VALVE			
BV09-21-2K0	1				
21-301		BOLT, CONTROL VALVE			
BV01-21-301	2				
21-302		BOLT, CONTROL VALVE			
BV01-21-302	4				
21-303		BOLT, CONTROL VALVE			
BV01-21-303	1				
21-320		CASE, OVER DRIVE			
BV01-21-320D	1	ASBESTOS			
21-322		GASKET, O/DRIVE CASE			
BU01-21-322	1				
21-330		VALVE, ONE WAY			
BV01-21-330	1				
21-386		STEM, PISTON BAND			
BU01-21-386	1				
21-391		RETAINER, SERVO			
BU20-21-391	1				
21-395		RING, 'O'			
BU01-21-395	2				
21-446		WASHER, DISHED			
BV01-21-446	7				

(THIS ILLUSTRATION CONSISTS OF 2 PAGES)

(THIS ILLUSTRATION CONSISTS OF 2 PAGES)

NOTE  
 ① ... ② → 19-750  
 THE D-CODE OF 19-750 CONSISTS OF FIGURE NUMBERS ① THROUGH ②.

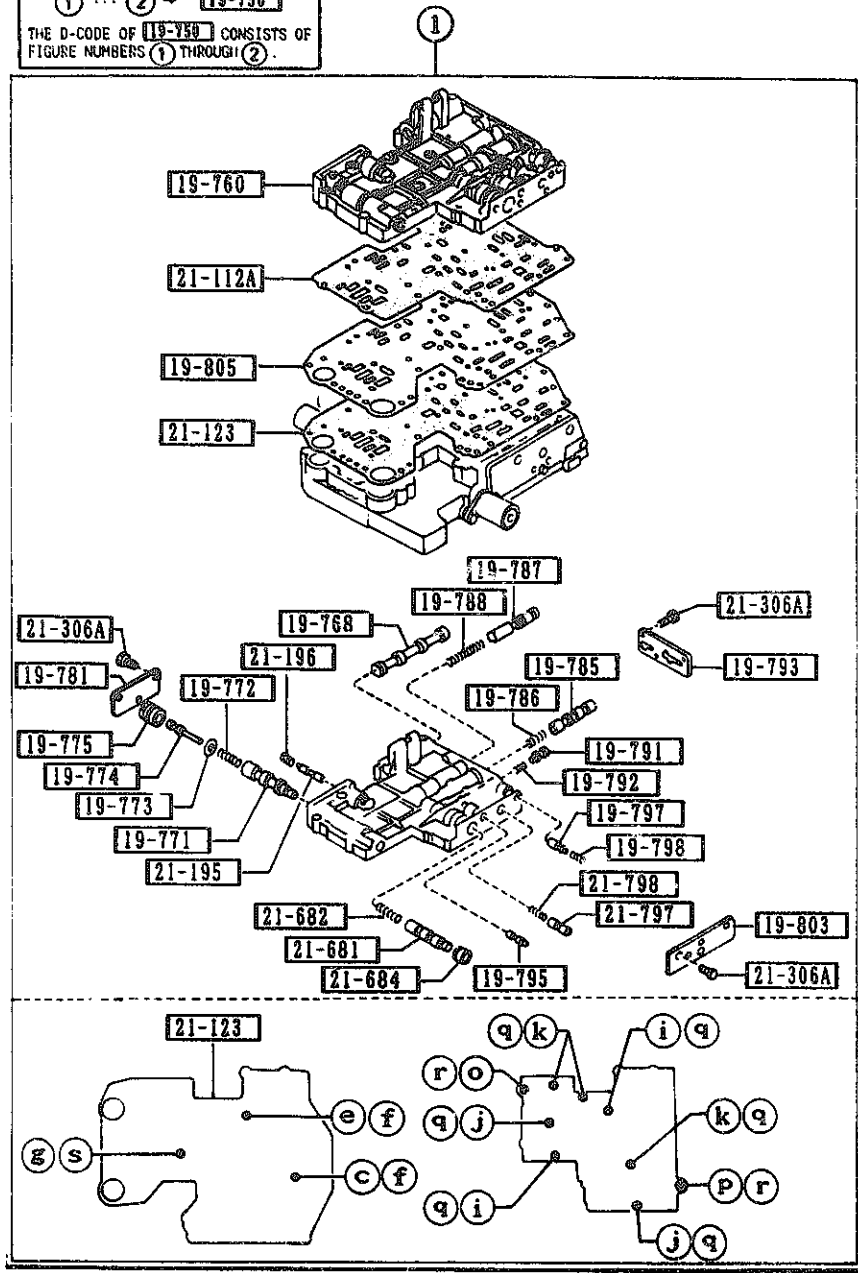
NOTE  
 ③ ... ④ → 21-3A0A  
 THE D-CODE OF 21-3A0A CONSISTS OF FIGURE NUMBERS ③ THROUGH ④.



b		19-8A2	D=1.2MM
c		19-8A9	D=1.8MM
d		19-8B2	D=1.5MM
e		21-333	
f		19-808	D=4.7MM, L=15.5MM
g		19-814	D=5.6MM, L=26.3MM
h		19-819	
i		21-261	L=30MM (FU01-21-261)
j		21-261	L=40MM (FU01-21-261)
k		21-262	L=35MM
l		21-263	L=25MM
m		21-265	L=12MM
n		21-268	L=6MM
o		21-302	L=53MM
p		21-305	L=82MM
q		21-091	D=12MM, d=5.3MM
r		21-446	D=12.5MM, d=6.4MM
s		2241-12-000	

(THIS ILLUSTRATION CONSISTS OF 2 PAGES)

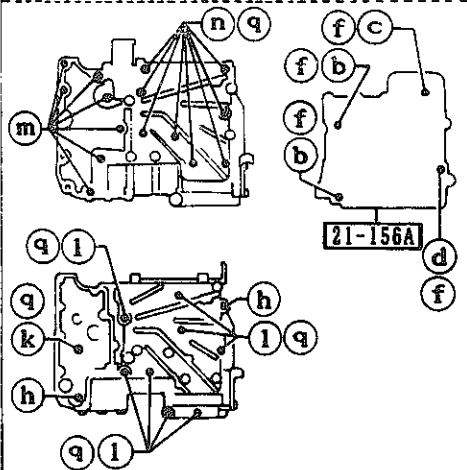
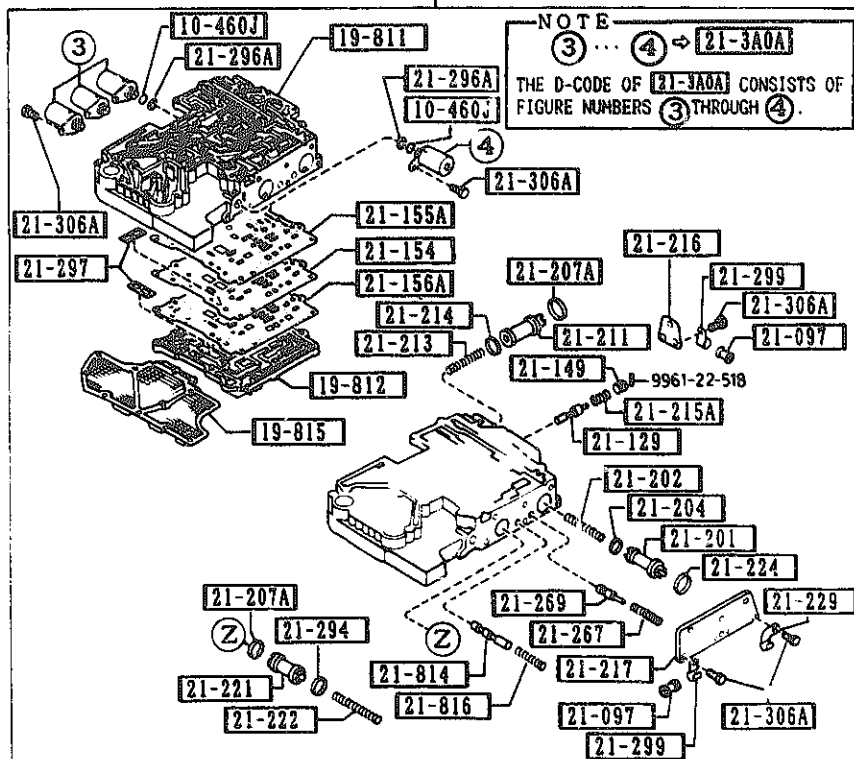
NOTE  
 ① ... ② ⇔ 19-750  
 THE D-CODE OF 19-750 CONSISTS OF  
 FIGURE NUMBERS ① THROUGH ②.



PART NO.	QTY	MODEL/RESTRICTION	MODEL/RESTRICTION	MODEL/RESTRICTION	FROM-TO
10-460J		RING, 'O'			
99541-00707	4				
19-750		VALVE, CONTROL			
BV09-19-750	1				
19-760		BODY, CONTROL VALVE-U			
BV01-19-760F	1				
19-768		VALVE, MANUAL			
0338-19-768	1				
19-771		VALVE, REGULATOR			
BV01-19-771	1				
19-772		SPRING, REGULATOR			
0338-19-772	1				
19-773		SEAT, REGULATOR SPRING			
0338-19-773	1				
19-774		PLUG, REGULATOR			
BV01-19-774A	1				
19-775		SLEEVE, REGULATOR PLUG			
BV01-19-775A	1				
19-781		PLATE, SIDE 'D'			
1758-19-781	1				
19-785		VALVE, 1-2 SHIFT			
BV01-19-785	1				
19-786		SPRING, 1-2 SHIFT			
BV01-19-786	1				
19-787		VALVE, 2-3 SHIFT			
BV01-19-787A	1				
19-788		SPRING, 2-3 SHIFT			
BV01-19-788	1				

1-J12

(THIS ILLUSTRATION CONSISTS OF 2 PAGES)

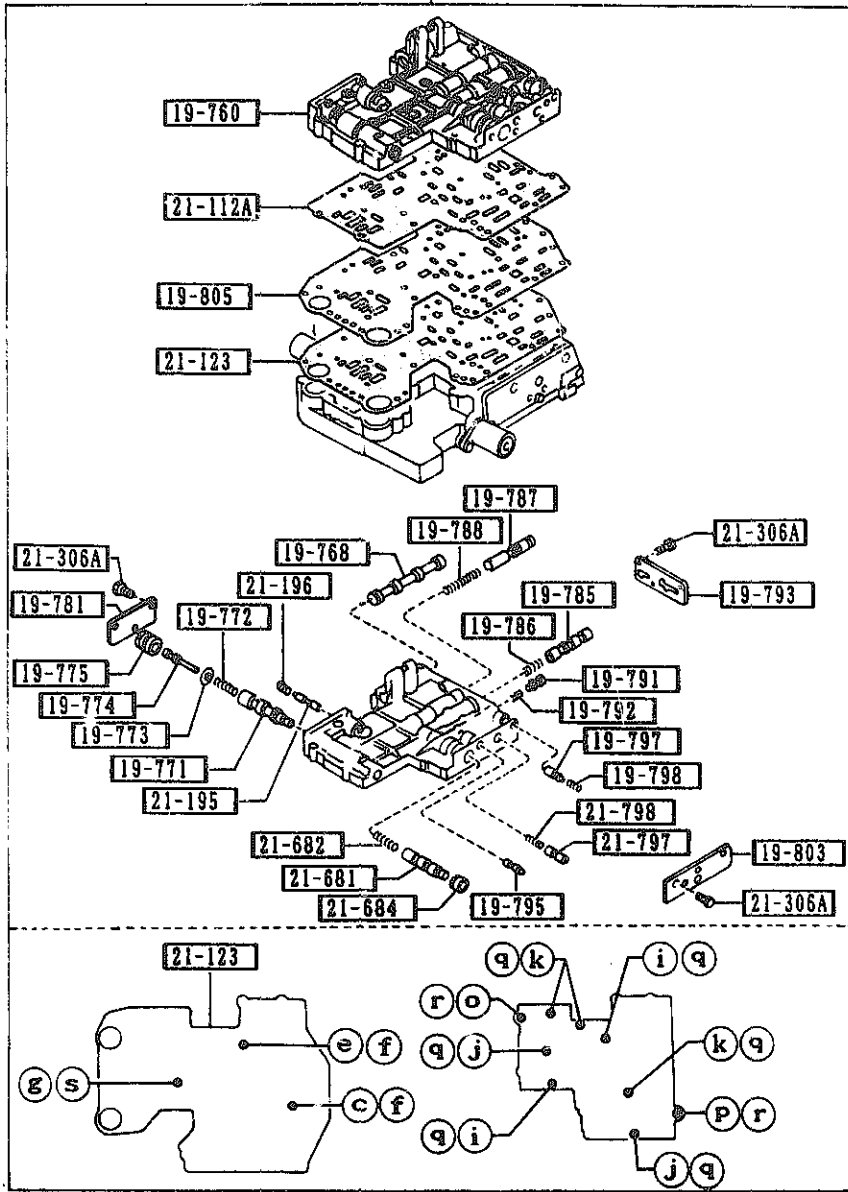


b	H	19-8A2	D=1.2MM
c	D	19-8A9	D=1.8MM
d		19-8B2	D=1.5MM
e		21-333	
f		19-808	D=4.7MM, L=15.5MM
g	D	19-814	D=5.6MM, L=26.8MM
h		19-819	
i		21-261	L=30MM (BV01-21-261)
j		21-261	L=40MM (FU01-21-261C)
k		21-262	L=35MM
l		21-263	L=25MM
m		21-265	L=12MM
n		21-268	L=64MM
o		21-302	L=59MM
p		21-305	L=82MM
q	D	21-091	D=12MM, d=5.3MM
r	D	21-446	D=12.5MM, d=6.4MM
s		0661-12-000	

PART NO.	QTY	MODEL/RESTRICTION	MODEL/RESTRICTION	MODEL/RESTRICTION	FROM-TO
19-791		VALVE, MODIFIER			
0338-19-791A	1				
19-792		SPRING, MODIFIER			
BV01-19-792	1				
19-793		PLATE, SIDE 'A'			
BV01-19-793	1				
19-795		VALVE, THROTTLE			
0338-19-795B	1				
19-797		VALVE, THROTTLE BACK-UP			
BV01-19-797A	1				
19-798		SPRING, THROTTLE BACK-UP			
BV01-19-798	1				
19-8A2		VALVE, ORIFICE CHECK			
BV01-19-8A2	2				
19-8A9		VALVE, ORIFICE CHECK			
BV01-19-8A9	2				
19-8B2		VALVE, ORIFICE CHECK			
BV01-19-8B2	1				
19-803		PLATE, SIDE 'B'			
RV01-19-803	1				
19-805		PLATE, SEPARATOR			
BV01-19-805C	1				
19-808		SPRING			
0338-19-808	6				
19-811		BODY, VALVE LWR			
BV01-19-811B	1				
19-812		COVER, VALVE BODY			
BV01-19-812A	1				

NOTE  
 ① ... ② ⇔ 19-750  
 THE D-CODE OF 19-750 CONSISTS OF  
 FIGURE NUMBERS ① THROUGH ②.

(THIS ILLUSTRATION CONSISTS OF 2 PAGES)



PART NO.	QTY	MODEL/RESTRICTION	MODEL/RESTRICTION	MODEL/RESTRICTION	FIG-10
19-814		SPRING			
0338-19-814	1				
19-815		STRAINER, OIL			
BV01-19-815	1				
19-819		NUT			
BV01-19-819	2				
21-091		WASHER			
FU01-21-091	24				
21-097		PROTECTOR			
FU01-21-097	4				
21-112A		GASKET			
BV01-21-112A	1				
21-123		GASKET			
BV01-21-123A	1				
21-129		VALVE, 1-2 REDUCING			
BV02-21-129	1				
21-149		PLUG, STOPPER			
BV01-21-149A	1				
21-154		PLATE, SEPARATOR			
BV02-21-154	1				
21-155A		GASKET			
BV01-21-155	1				
21-156A		GASKET			
BV01-21-156	1				
21-195		VALVE, REDUCING			
BV01-21-195	1				
21-196		SPRING, REDUCING			
BV01-21-196	1				

AUFA02

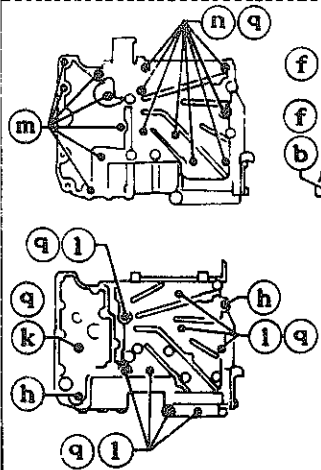
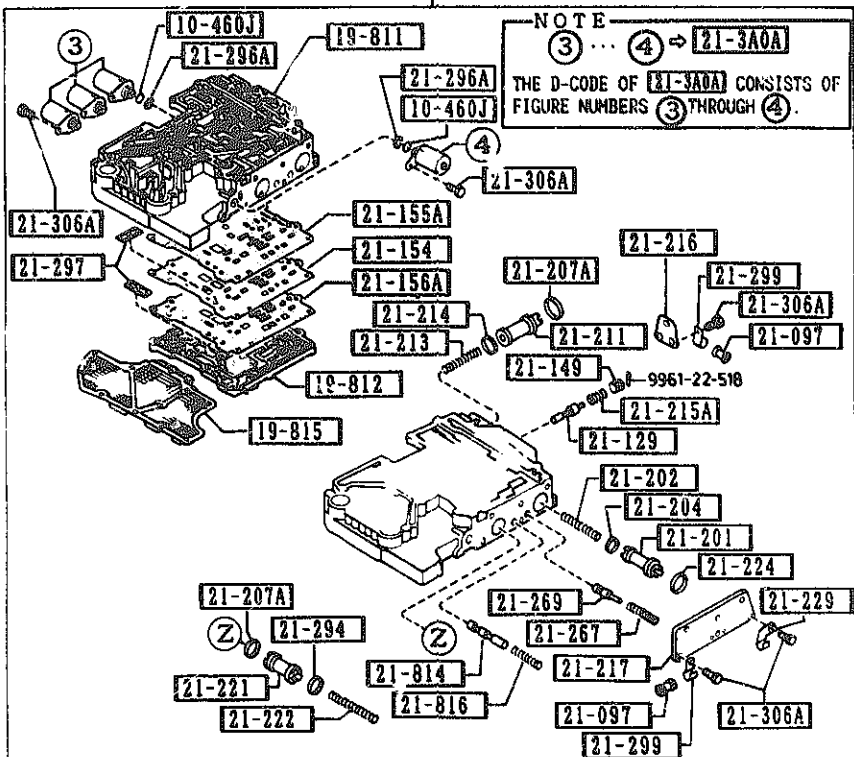
(CONT'D)

CAT. AUFA02-06

1992-05

1-L12

(THIS ILLUSTRATION CONSISTS OF 2 PAGES)



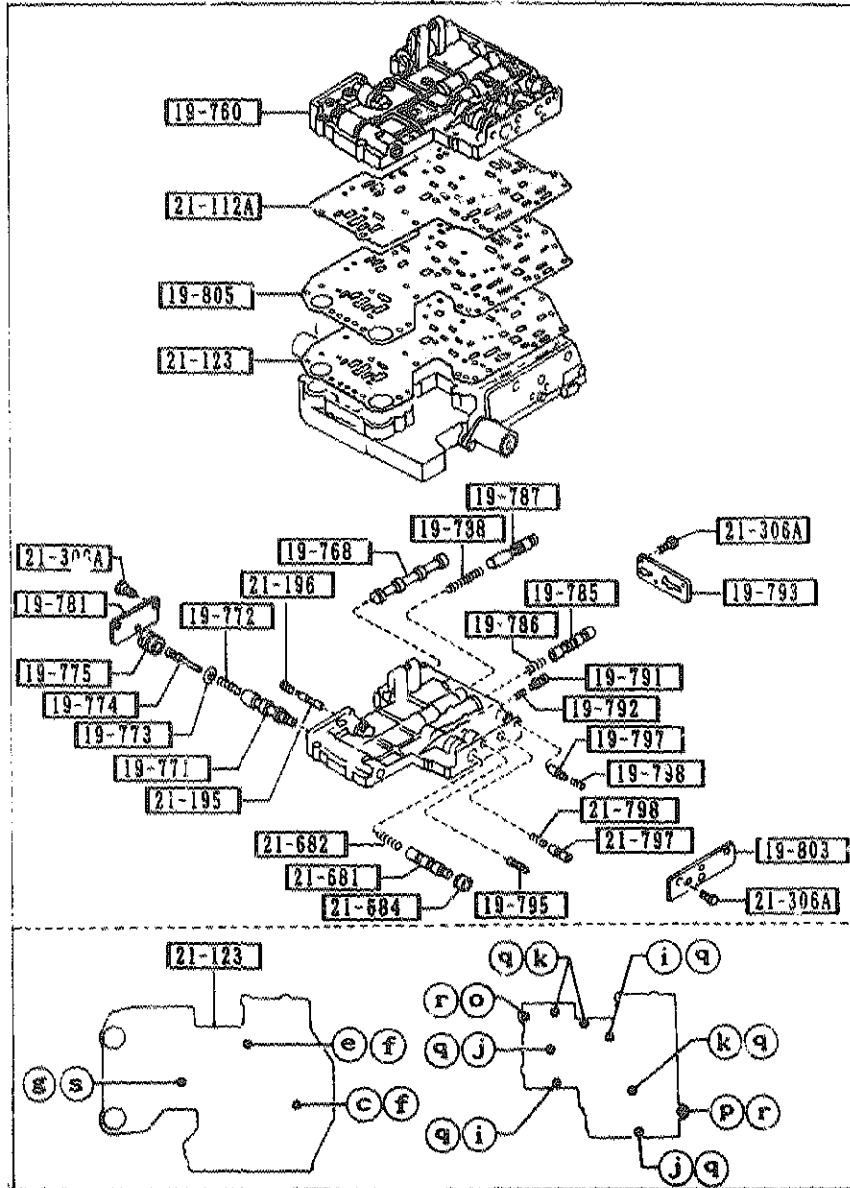
b	19-8A2	D=1.2MM
c	19-8A9	D=1.6MM
d	19-8B2	D=1.5MM
e	21-333	
f	19-808	D=4.7MM, L=15.5MM
g	19-814	D=5.6MM, L=26.8MM
h	19-819	
i	21-261	L=30MM (BV01-21-261)
j	21-261	L=40MM (FU01-21-261C)
k	21-262	L=35MM
l	21-263	L=25MM
m	21-265	L=12MM
n	21-268	L=64MM
o	21-302	L=59MM
p	21-305	L=82MM
q	21-091	D=12MM, d=5.3MM
r	21-446	D=12.5MM, d=6.4MM
s	9961-12-000	

PART NO.	QTY	MODEL/RESTRICTION	MODEL/RESTRICTION	MODEL/RESTRICTION	FROM-TO
21-201		PISTON, ACCUM			
BV01-21-201	1				
21-202		SPRING, ACCUM N-R			
BV01-21-202	1				
21-204		RING, SEAL			
BV01-21-204	1				
21-207A		RING, SEAL			
BV01-21-207	2				
21-211		PISTON, N/D ACCUM			
BV01-21-211	1				
21-213		SPRING, N/D ACCUM			
BV01-21-213	1				
21-214		RING, SEAL			
BV01-21-214	1				
21-215A		SPRING, 1/2 REDUCING			
BV03-21-215A	1				
21-216		PLATE 'E', SIDE			
BV01-21-216	1				
21-217		PLATE 'F', SIDE			
BV01-21-217	1				
21-221		PISTON, 1/2 ACCUM			
BV01-21-221	1				
21-222		SPRING, ACCUM 1-2			
BV01-21-222A	1				
21-224		PLUG, LOCK UP			
BV01-21-224	1				
21-229		CLIP			
BV01-21-229A	1				

(THIS ILLUSTRATION CONSISTS OF 2 PAGES)

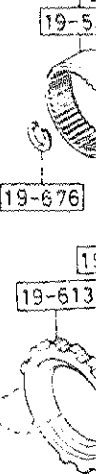
NOTE

① ... ② → 19-750  
 THE D-CODE OF 19-750 CONSISTS OF  
 FIGURE NUMBERS ① THROUGH ②.



PART NO.	QTY	MODEL/RESTRICTION	MODEL/RESTRICTION	MODEL/RESTRICTION	FROM TO
21-261		BOLT			
BV01-21-261	2				
FU01-21-261C	2				
21-262		BOLT			
FU01-21-262C	4				
21-263		BOLT			
FU01-21-263C	8				
21-265		BOLT			
FU01-21-265C	7				
21-267		SPRING, THROTTLE RELIEF			
BV01-21-267	1				
21-268		BOLT			
BV01-21-268	8				
21-269		VALVE, THROTTLE RELIEF			
BV01-21-269	1				
21-294		RING, 'O'			
BV01-21-294	1				
21-296A		STRAINER, OIL			
BV01-21-296	4				
21-297		STRAINER, INNER			
BV01-21-297	2				
21-299		CLIP			
BV01-21-299	2				
21-3A0A		VALVE, SOLENOID NO1			
BV01-21-3A0A	1				
21-302		BOLT, CONTROL VALVE			
BV02-21-302	1				

1-N12



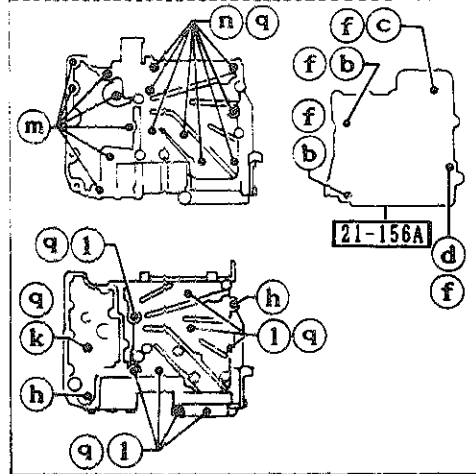
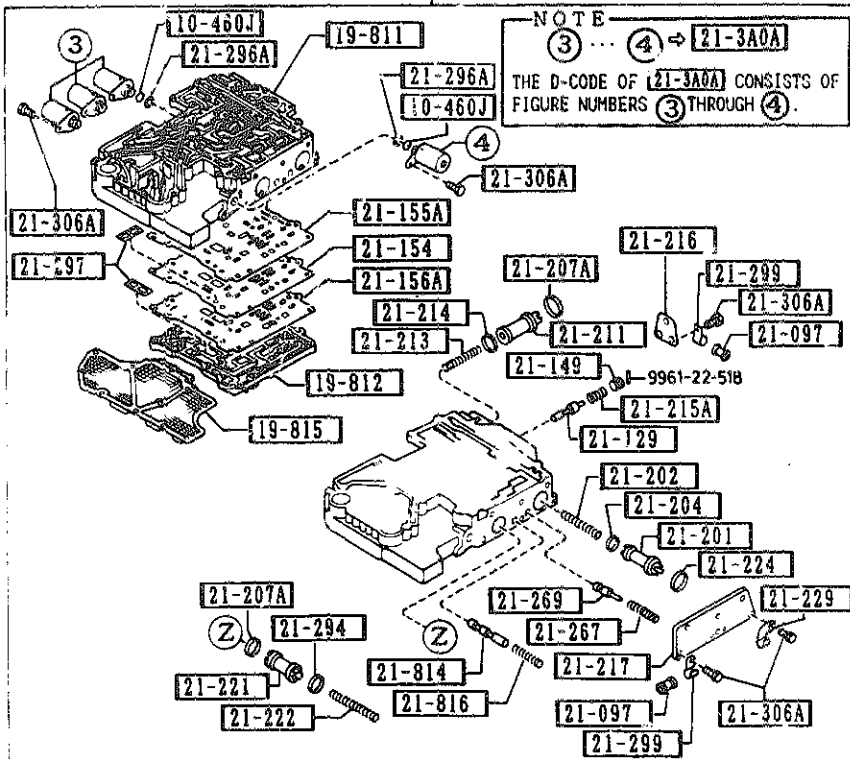


## SECTION NAME INDEX (ENGINE)

LO.NO	SEC.NO	SECTION NAME	LO.NO	SEC.NO	SECTION NAME	LO.NO	SEC.NO	SECTION NAME
1-C03	1000	SHORT ENGINE & GASKET SETS (W/O TURBO)	1-G11	1840	STARTER			
1-D03	1000 A	SHORT ENGINE & GASKET SETS (TURBO)	1-J11	1850	BATTERY			
1-E03	1030	ROTOR HOUSINGS (W/O TURBO)	1-K11	1910	TORQUE CONVERTER, OIL PUMP & PIPINGS (AUTOMATIC)			
1-G03	1030 A	ROTOR HOUSINGS (TURBO)	1-N11	1920	TRANSMISSION CASE & MAIN CONTROL SYSTEM (AUTOMATIC)			
1-J03	1040	OIL PAN, FRONT & REAR HOUSING (W/O TURBO)	1-I12	1925	CONTROL VALVE (AUTOMATIC)			
1-M03	1040 A	OIL PAN, FRONT & REAR HOUSING (TURBO)	1-D13	1930	CLUTCHES & PLANETARY GEARS (AUTOMATIC)			
1-D04	1100	ECCENTRIC SHAFT & FLYWHEEL	1-L13	1940	GOVERNOR, LOW & REVERSE PISTON (AUTOMATIC)			
1-G04	1110	ROTORS & RELATED PARTS	1-C14	1950	MANUAL LINKAGE SYSTEM (AUTOMATIC)			
1-I04	1300	INLET MANIFOLD	1-E14	1960	GASKET & SEAL KIT (AUTOMATIC)			
1-M04	1310	EXHAUST MANIFOLD						
1-N04	1311	INTER COOLER (TURBO)						
1-C05	1312	TURBO CHARGER (TURBO)						
1-F05	1320	FUEL SYSTEM						
1-H05	1325	FUEL DISTRIBUTOR						
1-I05	1330	AIR CLEANER						
1-M05	1350	STARTING ASSIST SYSTEM						
1-N05	1364	THROTTLE BODY						
1-F06	1371	AIR PUMP & AIR CONTROL VALVE						
1-I06	1380	EMISSION CONTROL SYSTEM						
1-D07	1399	CAP & HOSE CLIP (INLET & EXHAUST SIDE)						
1-F07	1400	OIL PUMP & FILTER (W/O TURBO)						
1-I07	1400 A	OIL PUMP & FILTER (TURBO)						
1-M07	1500	COOLING SYSTEM						
1-F08	1580	BRACKET, PULLEY & BELT						
1-C09	1600	CLUTCH DISC & COVER (MANUAL)						
1-F09	1700	TRANSMISSION CASE (MANUAL)						
1-J09	1710	TRANSMISSION GEARS (MANUAL)						
1-H10	1720	CHANGE CONTROL SYSTEM (MANUAL)						
1-M10	1800	ENGINE ELECTRICAL SYSTEM						
1-E11	1830	ALTERNATOR						



(THIS ILLUSTRATION CONSISTS OF 2 PAGES)

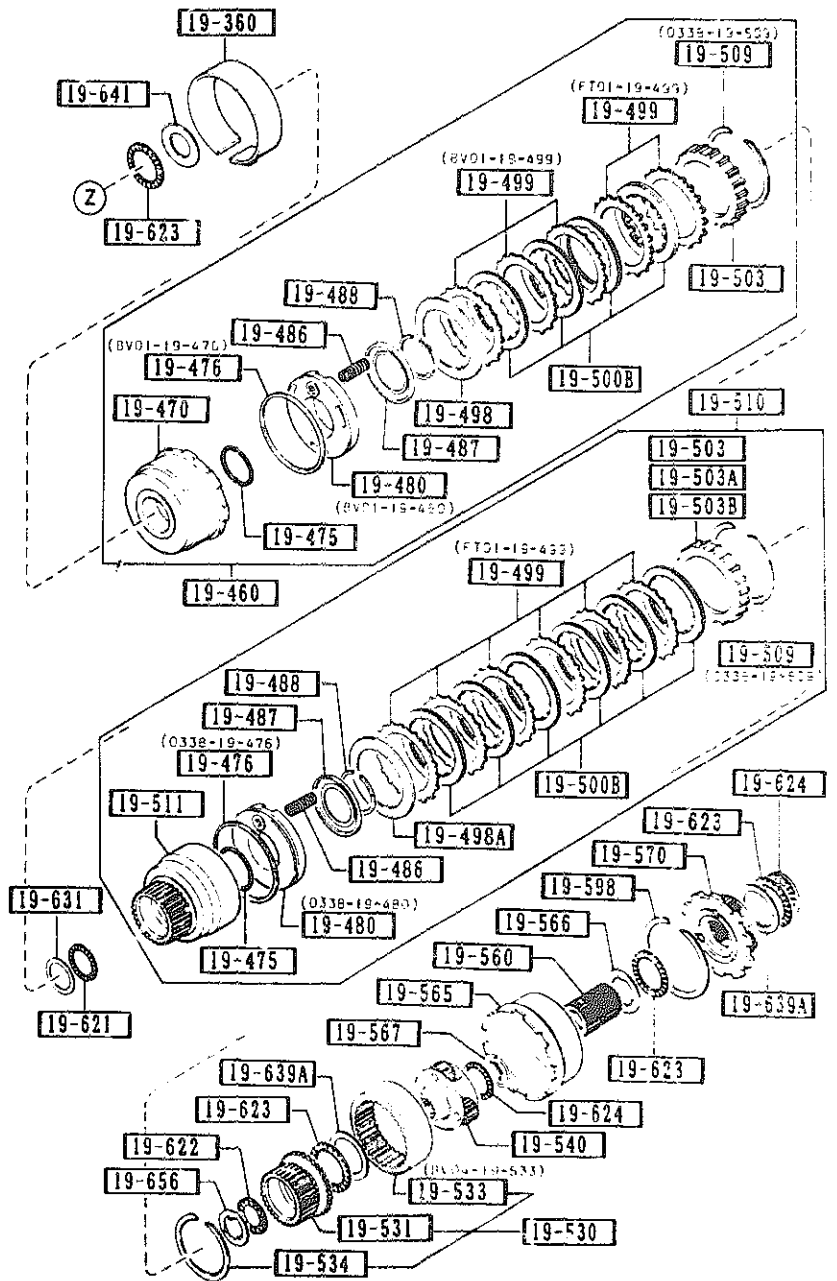
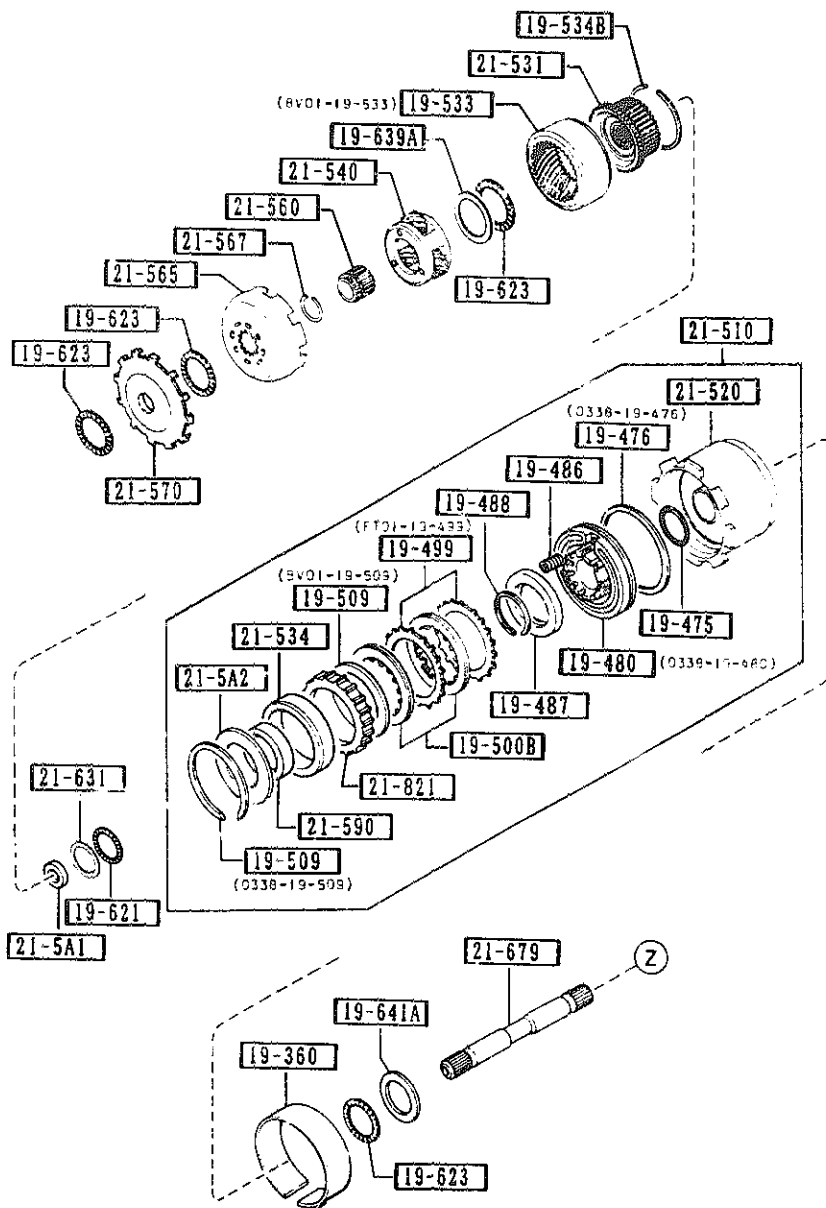


b	19-8A2	D=1.2MM
c	19-8A9	D=1.8MM
d	19-8B2	D=1.5MM
e	21-333	
f	19-808	D=4.7MM, L=15.5MM
g	19-814	D=5.6MM, L=26.8MM
h	19-819	
i	21-261	L=30MM (BV01-21-261)
j	21-261	L=40MM (FU01-21-261C)
k	21-262	L=35MM
l	21-263	L=25MM
m	21-265	L=12MM
n	21-268	L=54MM
o	21-302	L=59MM
p	21-305	L=62MM
q	21-091	D=12MM, d=5.3MM
r	21-446	D=12.5MM, d=8.4MM
s	9961-12-000	

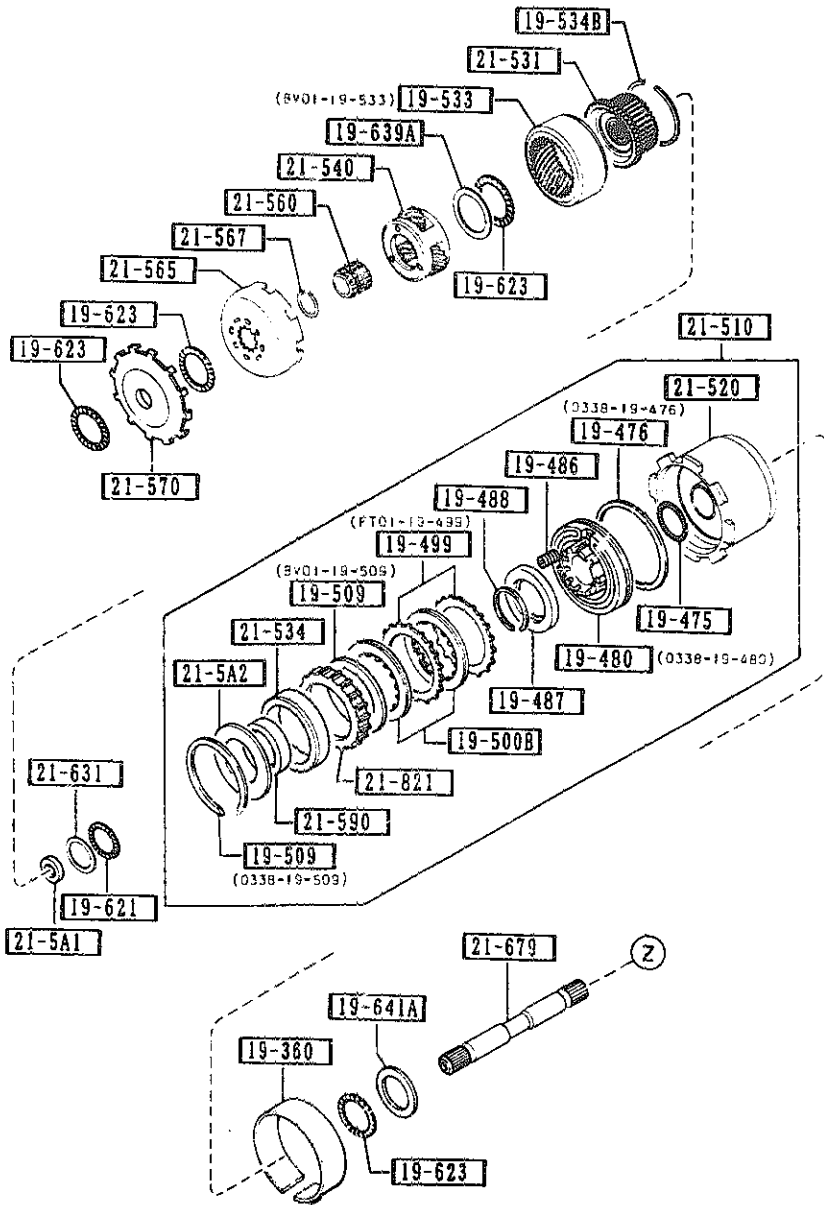
PART NO.	QTY	MODEL/RESTRICTION	MODEL/RESTRICTION	MODEL/RESTRICTION	FROM-TO
21-305		BOLT			
BV01-21-305B	1				
21-306A		BOLT			
BV01-21-306	22				
21-333		VALVE, ONE WAY			
BV01-21-333	1				
21-446		WASHER, DISHED			
BV01-21-446	2				
21-681		VALVE, SHIFT 3-4			
BV01-21-681	1				
21-682		SPRING, 3-4 SHIFT			
BV01-21-682	1				
21-684		VALVE, 3-4 SHIFT-COAST			
BV01-21-684	1				
21-797		VALVE, CONTROL BACK UP			
BV01-21-797	1				
21-798		SPRING, BACK UP			
BV01-21-798	1				
21-814		SPRING, 3-2 TIMING			
BV01-21-814	1				
21-816		SPRING, 3-2 TIMING			
BV01-21-816	1				

(THIS ILLUSTRATION CONSISTS OF 2 PAGES)

(THIS ILLUSTRATION CONSISTS OF 2 PAGES)

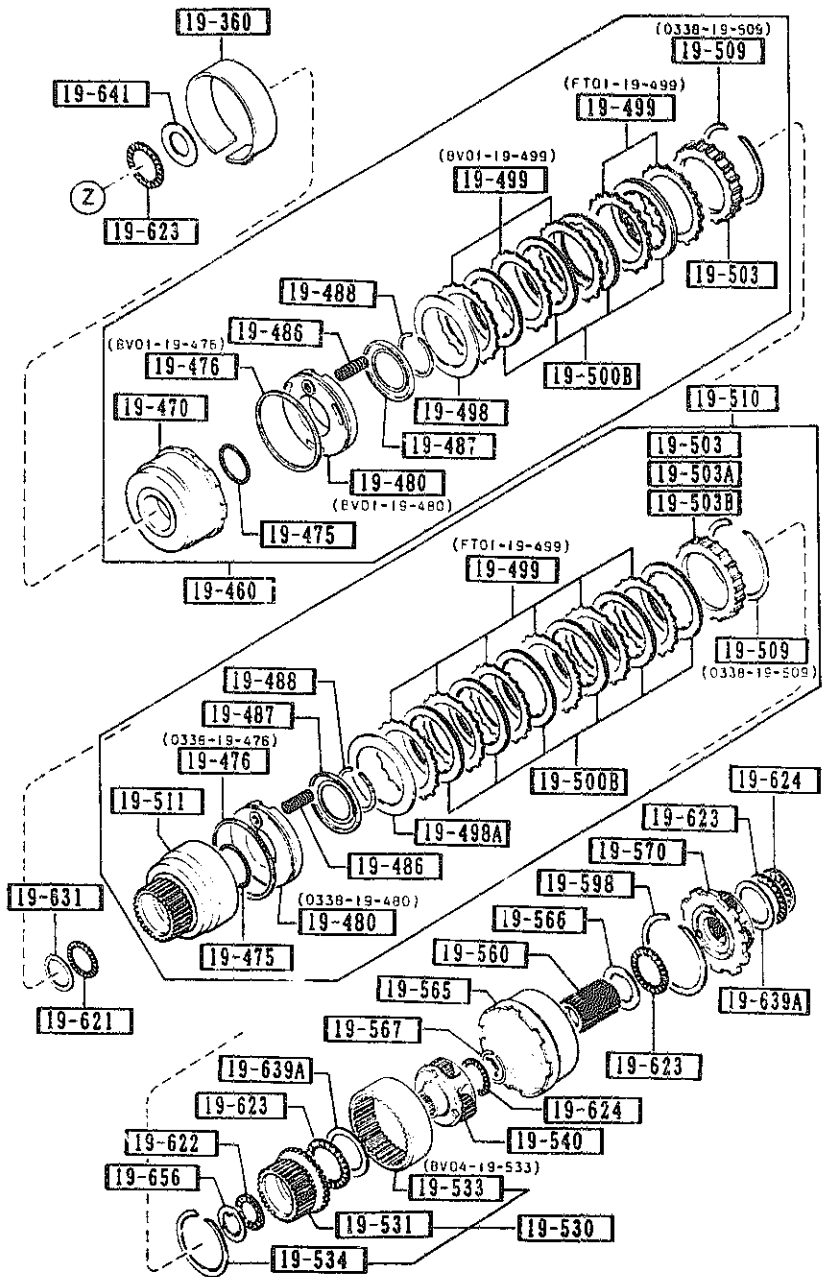


(THIS ILLUSTRATION CONSISTS OF 2 PAGES)



PART NO.	QTY	MODEL/RESTRICTION	MODEL/RESTRICTION	MODEL/RESTRICTION	FROM-TO
19-360		BAND, BRAKE			
0338-19-360B	2				
19-460		CLUTCH, FRONT			
BV03-19-460B	1				
19-470		DRUM, CLUTCH			
BV01-19-470B	1				
19-475		SEAL, 'O'RING			
0338-19-475	3				
19-476		SEAL, LATHE CUT			
BV01-19-476	1				
0338-19-476	2				
19-480		PISTON, CLUTCH			
BV01-19-480	1				
0338-19-480	2				
19-486		SPRING, PISTON RETURN			
0338-19-486	25				
19-487		RETAINER, SPRING			
0338-19-487	3				
19-488		RING, SNAP			
0338-19-488	3				
19-498		PLATE, DISHED			
0338-19-498	1				
19-498A		PLATE, DISHED			
BU17-19-498	1				
19-499		PLATE, DRIVEN			
BV01-19-499	3				
FT01-19-499	10				
19-500B		PLATE, DRIVEN			

(THIS ILLUSTRATION CONSISTS OF 2 PAGES)



PART NO.	QTY	MODEL/RESTRICTION	MODEL/RESTRICTION	MODEL/RESTRICTION	FROM-TO
CONT'D BUI7-19-500	12				
19-503		PLATE, RETAINING			
3959-19-503	1	T=5MM			
3959-19-504	1	T=5.2MM			
3959-19-505	1	T=5.4MM			
3959-19-506	1	T=5.6MM			
3959-19-507	1	T=5.8MM			
3959-19-508	1	T=6MM			
3959-19-509	2	T=6.2MM			
19-503A		PLATE, RETAINING			
1758-19-503	1	T=7.2MM			
1758-19-504	1	T=7.4MM			
1758-19-505	1	T=7.6MM			
19-503B		PLATE, RETAINING			
BV02-19-505	1	T=6.4MM			
BV02-19-506	1	T=6.6MM			
BV02-19-507	1	T=6.8MM			
BV02-19-508	1	T=7MM			
19-509		RING, SNAP			
BV01-19-509	1				
0338-19-509	3				
19-510		CLUTCH, REAR			
BV01-19-510	1				
19-511		DRUM, REAR CLUTCH			

4-10

92-05

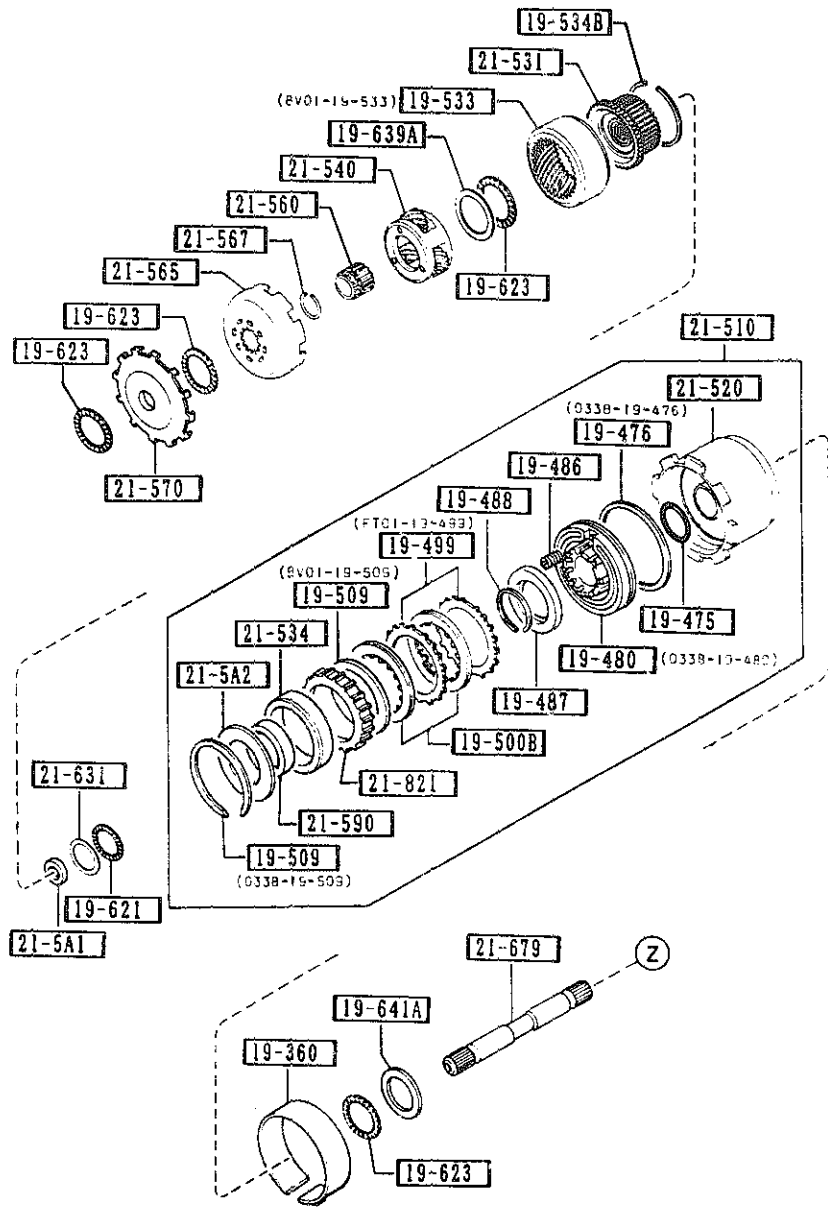
AUFA02

CAT. AUFA02-06

1992-05

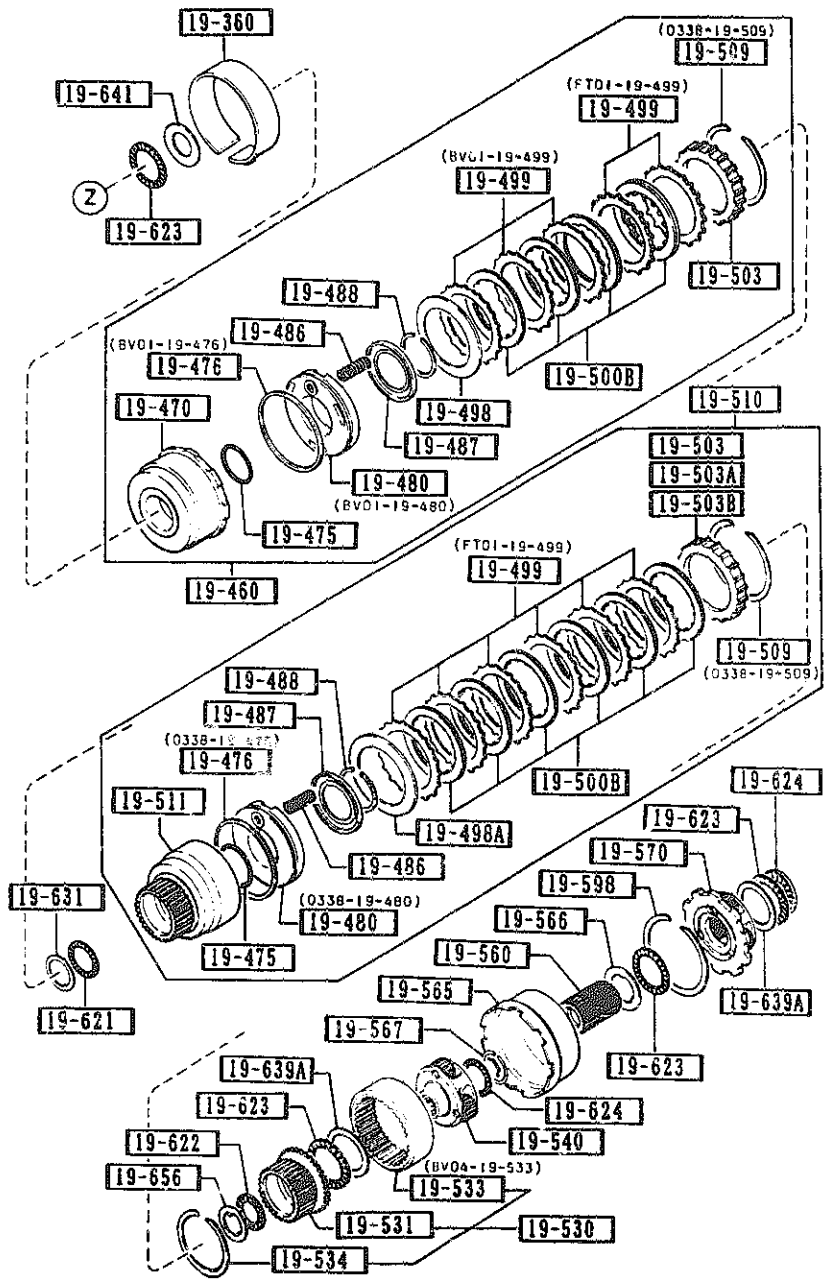
1-F13

(THIS ILLUSTRATION CONSISTS OF 2 PAGES)



PART NO.	QTY	MODEL/RESTRICTION	MODEL/RESTRICTION	MODEL/RESTRICTION	FROM TO
CONT'D 1758-19-511	1				
19-530		HUB, REAR CLUTCH			
BV04-19-530	1				
19-531		HUB, REAR CLUTCH			
BV04-19-531	1				
19-533		GEAR, INTERNAL			
BV01-19-533	1				
BV04-19-533	1				
19-534		RING, SNAP			
0338-19-534	1				
19-534B		RING, SNAP			
BU03-19-534	1				
19-540		CARRIER, FRONT			
BV09-19-540	1				
19-560		GEAR, SUN			
BV04-19-560	1				
19-565		SHELL, CONNECTING			
BV04-19-565	1				
19-566		RACE, SHELL BEARING			
BV04-19-566	1				
19-567		RING, SNAP			
BU02-19-567	1				
19-570		CARRIER, REAR			
BV04-19-570	1				
19-598		RING, SNAP			
0338-19-598	1				
19-621		BEARING, NEEDLE			
0338-19-621	2				

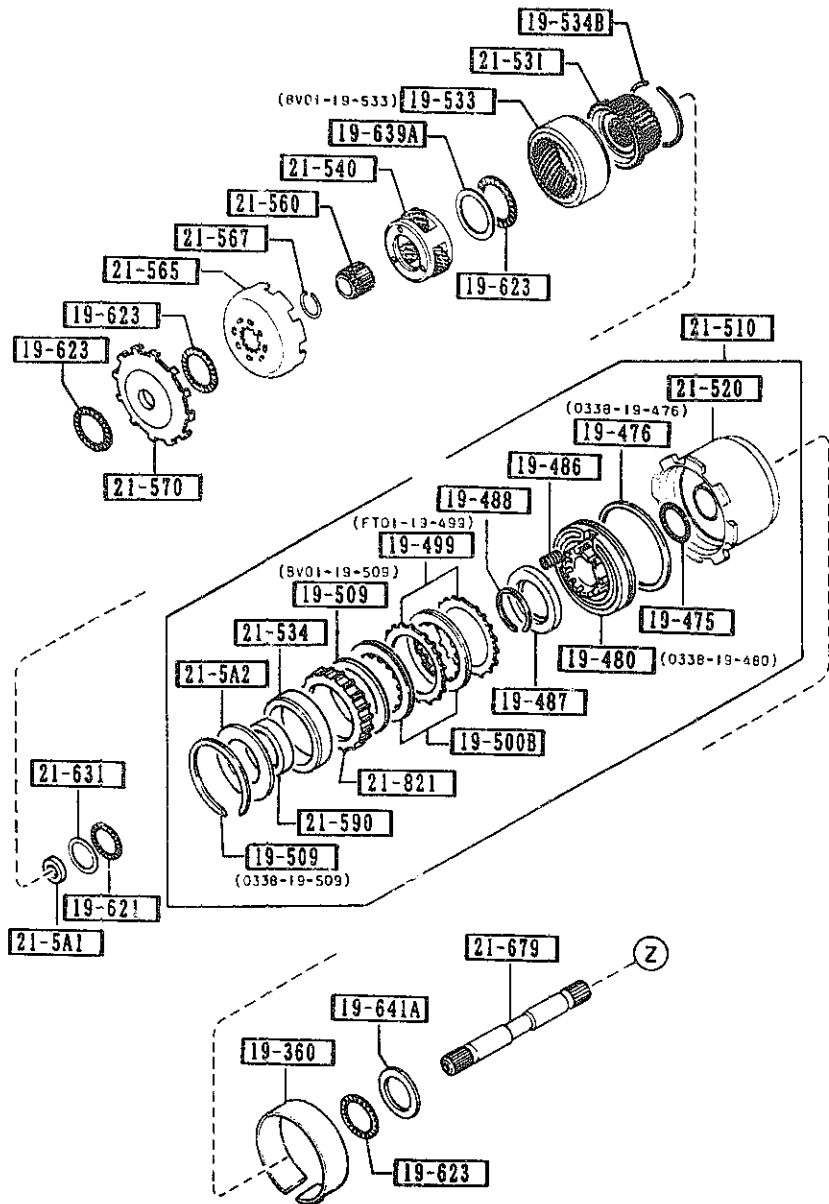
(THIS ILLUSTRATION CONSISTS OF 2 PAGES)



PART NO.	QTY	MODEL/RESTRICTION	MODEL/RESTRICTION	MODEL/RESTRICTION	FROM-TO
19-622		BEARING, NEEDLE			
0338-19-622	1				
19-623		BEARING, NEEDLE			
0338-19-623	8				-0401
A (0338-19-623A)					
0338-19-623A	8				0401-
19-624		BEARING, NEEDLE			
0338-19-624	2				
19-631		RACE, BRG. PUMP COVER			
0338-19-631	1	T=1.2MM			
0338-19-632	1	T=1.4MM			
0338-19-633	1	T=1.6MM			
0338-19-634	1	T=1.8MM			
0338-19-635	1	T=2MM			
0338-19-636	1	T=2.2MM			
19-639A		RACE, BEARING			
0338-19-639	3				
19-641		WASHER, FRONT CLUTCH			
BV01-19-6C1	1	T=0.8MM			
BV01-19-6C2	1	T=1MM			
BV01-19-6C3	1	T=1.2MM			
BV01-19-6C4	1	T=1.4MM			
BV01-19-6C5	1	T=1.6MM			
BV01-19-6C6	1	T=1.8MM			
BV01-19-6C7	1	T=2MM			
BV01-19-6C8	1	T=2.2MM			
0401 FC3MM-806597					

17-H13

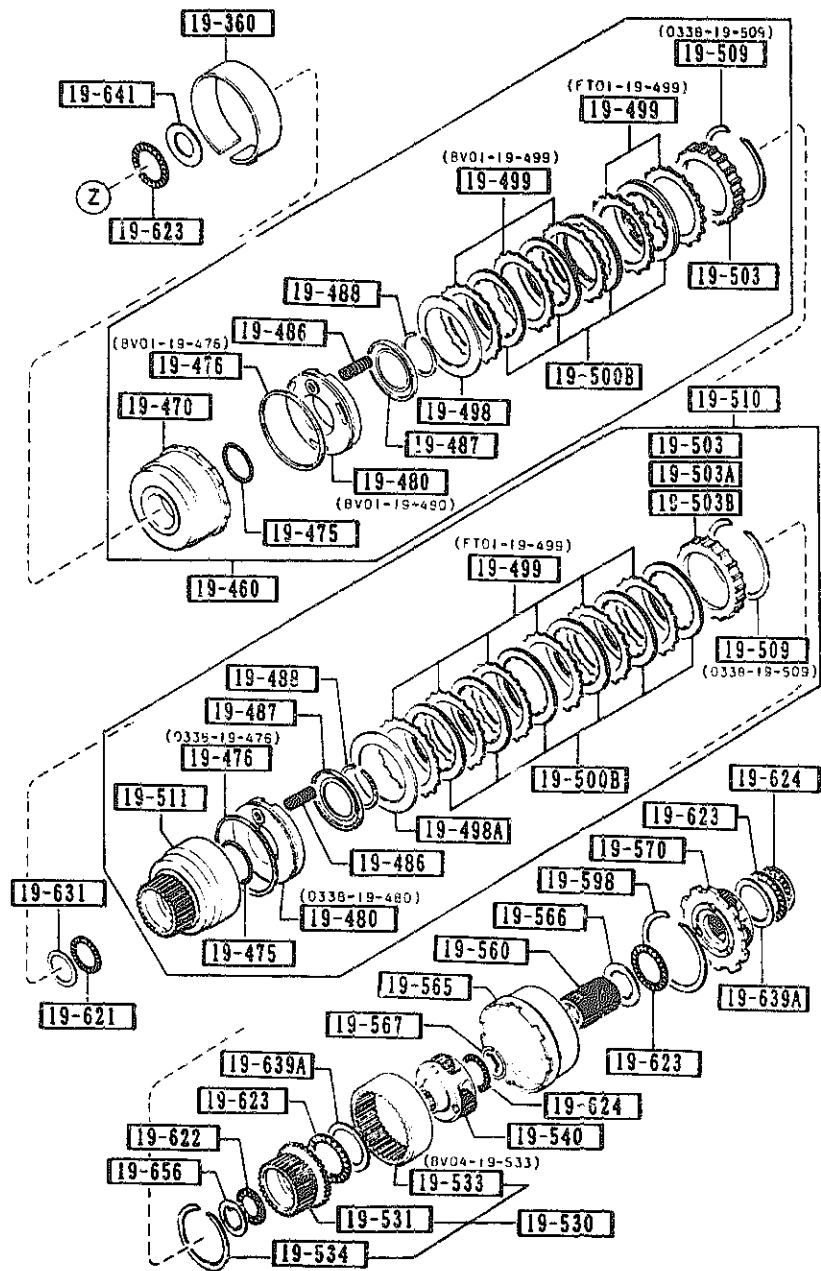
(THIS ILLUSTRATION CONSISTS OF 2 PAGES)



PART NO.	QTY	MODEL/RESTRICTION	MODEL/RESTRICTION	MODEL/RESTRICTION	FROM-TO
CONT'D	1				
19-641A		WASHER			
BV03-19-6C1	1	T=0.8MM			
BV03-19-6C2	1	T=1MM			
BV03-19-6C3	1	T=1.2MM			
BV03-19-6C4	1	T=1.4MM			
BV03-19-6C5	1	T=2.6MM			
BV03-19-6C6	1	T=1.8MM			
BV03-19-6C7	1	T=2MM			
BV03-19-6C8	1	T=2.2MM			
19-656		RACE, BEARING OIL DIS TR			
0436-19-656	1				
21-5A1		SLEEVE, SEAL-O.D. CARRIER			
BV01-21-5A1	1				
21-5A2		RECE, SIDE-ONE WAY CLUTCH			
BV01-21-5A2	1	T=0.6MM			
BV01-21-5A3	1	T=0.8MM			
BV01-21-5A4	1	T=1MM			
BV01-21-5A5	1	T=1.2MM			
BV01-21-535	1	T=0.4MM			
21-510		CLUTCH, DIRECT			
BV01-21-510B	1				
21-520		DRUM, DIRECT			
BV01-21-530C	1				

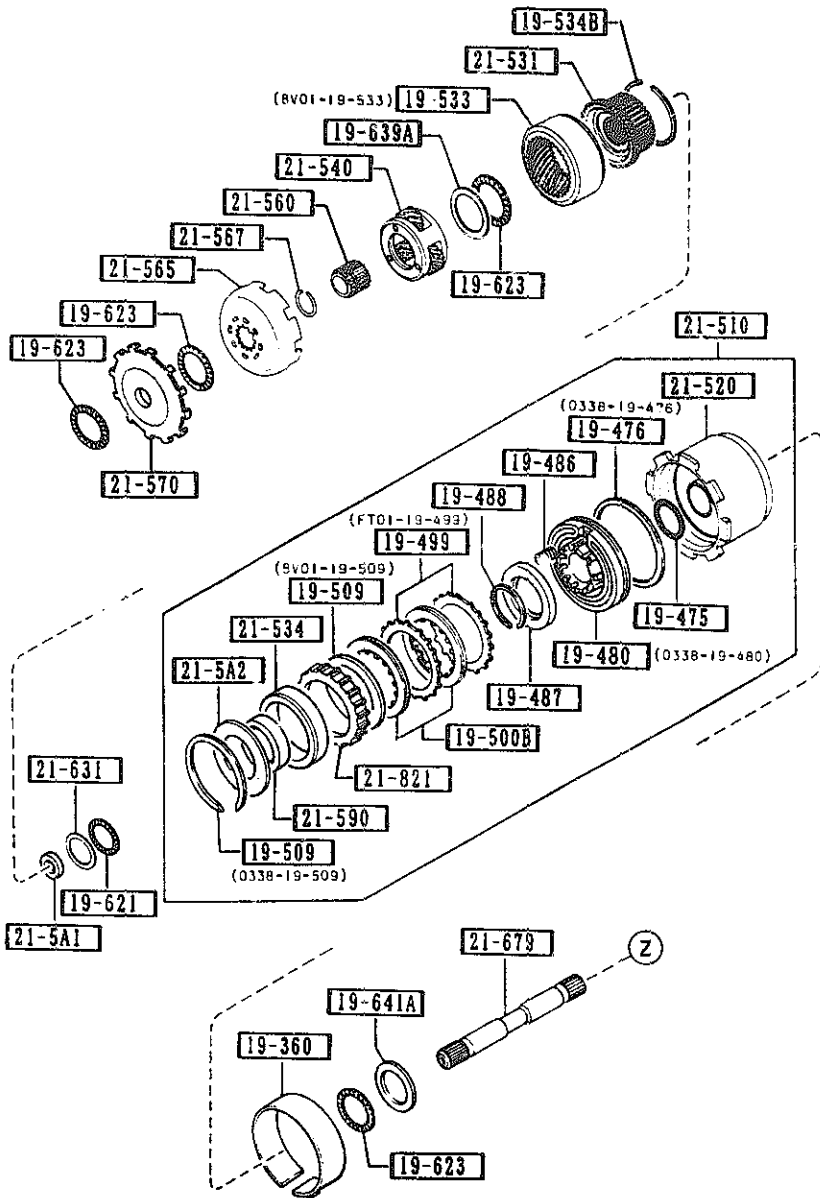


(THIS ILLUSTRATION CONSISTS OF 2 PAGES)



PART NO.	QTY	MODEL/RESTRICTION	MODEL/RESTRICTION	MODEL/RESTRICTION	FROM-TO
21-531		HUB, Ø/DRIVE CLUTCH			
BV01-21-536	1				
21-534		RACE, OUTER-ONE WAY CLUTCH			
BV01-21-534	1				
21-540		CARRIER, OVER DRIVE			
BV01-21-540B	1				
21-560		GEAR, OVER DRIVE			
BV01-21-560	1				
21-565		CONNECTING, SHELL			
BU03-21-565	1				
21-567		RING, SNAP			
BU03-21-567	1				
21-570		SUPPORT, CENTER			
BV01-21-570A	1				
21-590		CLUTCH, ONE WAY			
BV01-21-533	1				
21-631		RACE, BRG. HUB CLUTCH			
BU01-21-631	1	L=1.2MM			
BU01-21-632	1	L=1.4MM			
BU01-21-633	1	L=1.6MM			
BU01-21-634	1	L=1.8MM			
BU01-21-635	1	L=2MM			
BU01-21-636	1	L=2.2MM			
21-679		SHAFT, INTERMEDIATE			
BU01-21-679	1				
21-821		PLATE, RETAINING			

(THIS ILLUSTRATION CONSISTS OF 2 PAGES)

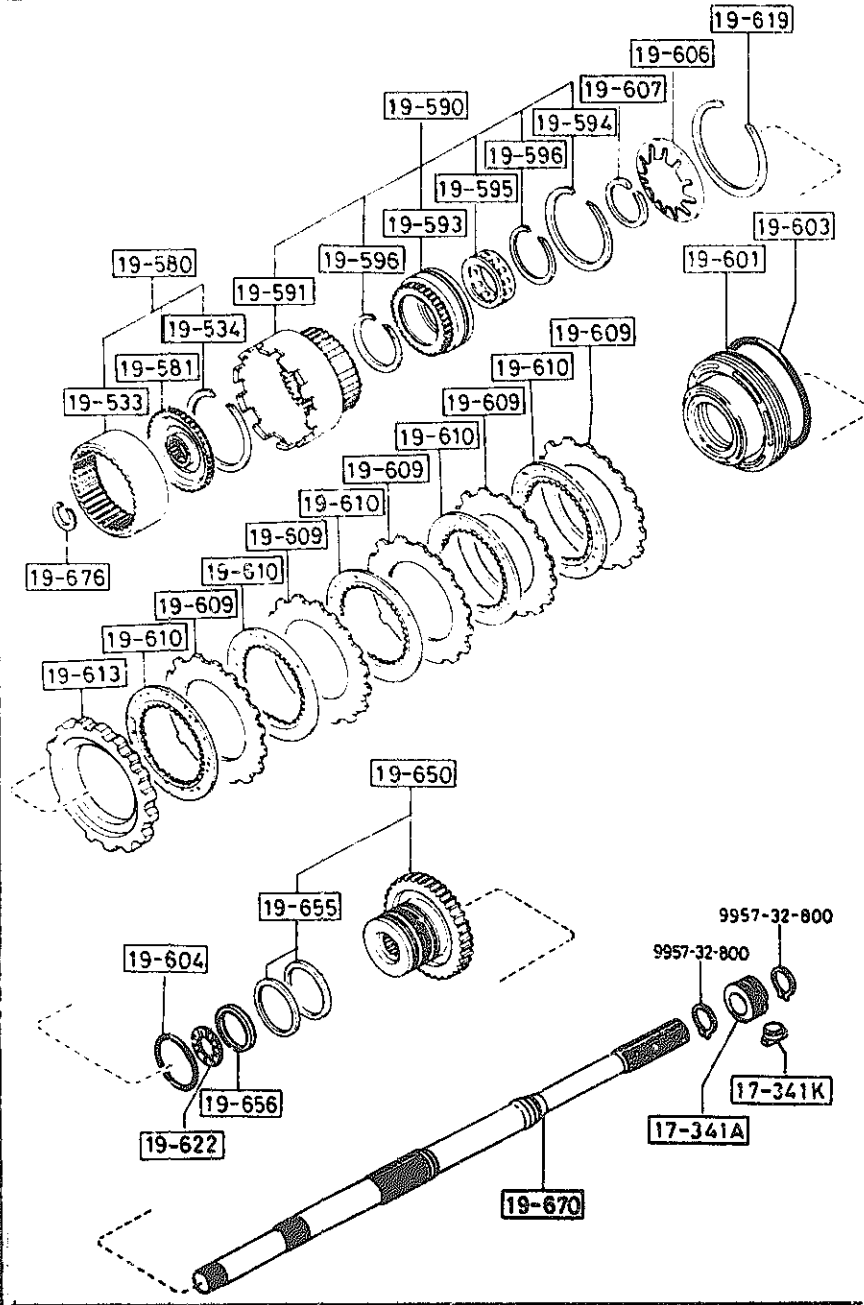


PART NO.	QTY	MODEL/RESTRICTION	MODEL/RESTRICTION	MODEL/RESTRICTION	FROM-TO
CONT'D BV01-21-821A	1				





1940 GOVERNOR, LOW & REVERSE PISTON(AUTOMATIC)



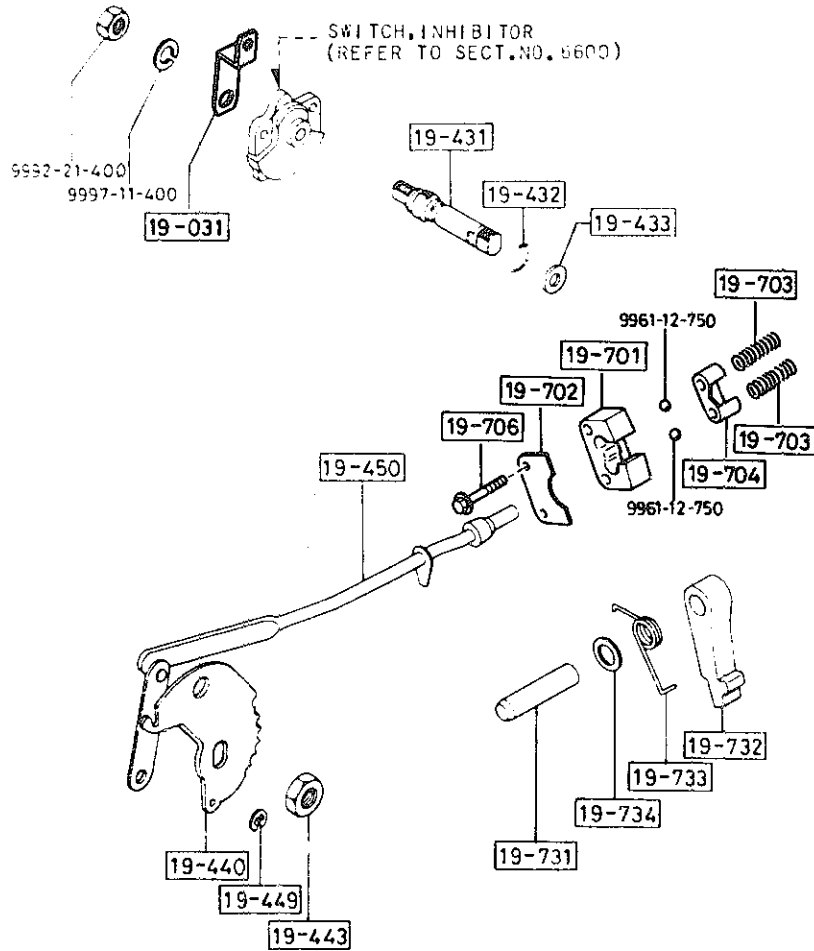
PART NO.	QTY	MODEL/RESTRICTION	MODEL/RESTRICTION	MODEL/RESTRICTION	FROM TO
CONT'D 0436-19-656	1				
19-670		SHAFT			
BU17-19-670	1				
19-676		RING			
0338-19-676	1				

1 N 3

## SECTION NAME INDEX (ENGINE)

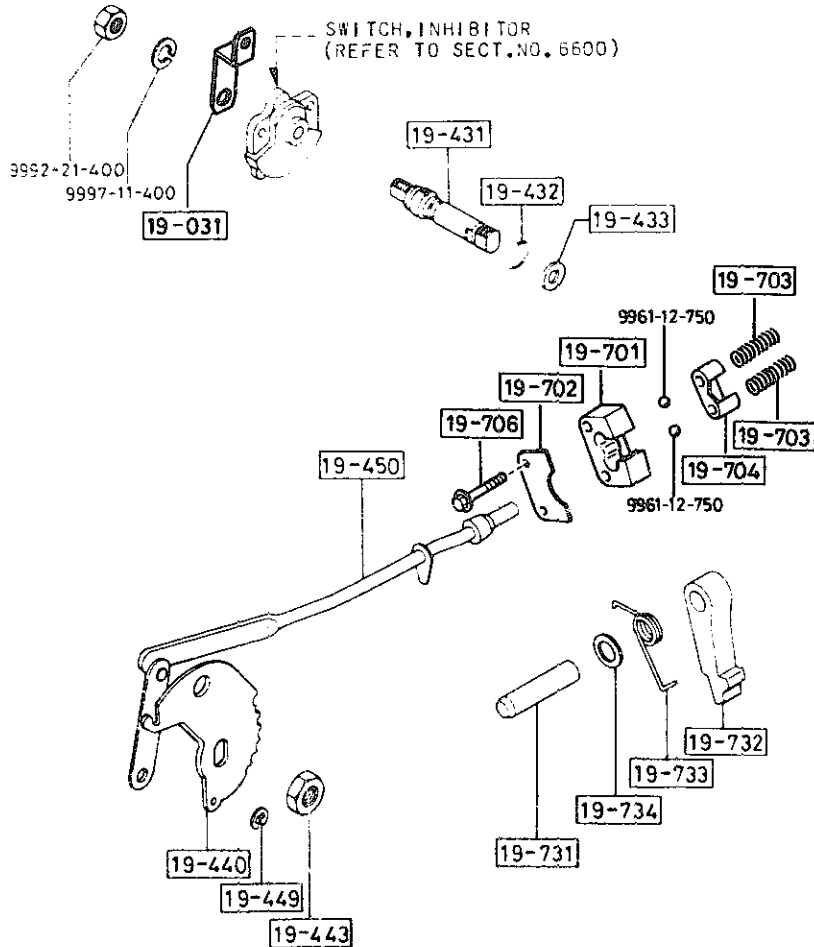
LO.NO	SEC.NO	SECTION NAME	LO.NO	SEC.NO	SECTION NAME	LO.NO	SEC.NO	SECTION NAME
1-C03	1000	SHORT ENGINE & GASKET SETS (W/O TURBO)	1-G11	1840	STARTER			
1-D03	1000 A	SHORT ENGINE & GASKET SETS (TURBO)	1-J11	1850	BATTERY			
1-E03	1030	ROTOR HOUSINGS (W/O TURBO)	1-K11	1910	TORQUE CONVERTER, OIL PUMP & PIPINGS (AUTOMATIC)			
1-G03	1030 A	ROTOR HOUSINGS (TURBO)	1-N11	1920	TRANSMISSION CASE & MAIN CONTROL SYSTEM (AUTOMATIC)			
1-J03	1040	OIL PAN, FRONT & REAR HOUSING (W/O TURBO)	1-I12	1925	CONTROL VALVE (AUTOMATIC)			
1-M03	1040 A	OIL PAN, FRONT & REAR HOUSING (TURBO)	1-D13	1930	CLUTCHES & PLANETARY GEARS (AUTOMATIC)			
1-D04	1100	ECCENTRIC SHAFT & FLYWHEEL	1-L13	1940	GOVERNOR, LOW & REVERSE PISTON (AUTOMATIC)			
1-G04	1110	ROTORS & RELATED PARTS	1-C14	1950	MANUAL LINKAGE SYSTEM (AUTOMATIC)			
1-I04	1300	INLET MANIFOLD	1-E14	1960	GASKET & SEAL KIT (AUTOMATIC)			
1-M04	1310	EXHAUST MANIFOLD						
1-N04	1311	INTER COOLER (TURBO)						
1-C05	1312	TURBO CHARGER (TURBO)						
1-F05	1320	FUEL SYSTEM						
1-H05	1325	FUEL DISTRIBUTOR						
1-I05	1330	AIR CLEANER						
1-M05	1350	STARTING ASSIST SYSTEM						
1-N05	1364	THROTTLE BODY						
1-F06	1371	AIR PUMP & AIR CONTROL VALVE						
1-I06	1380	EMISSION CONTROL SYSTEM						
1-D07	1399	CAP & HOSE CLIP (INLET & EXHAUST SIDE)						
1-F07	1400	OIL PUMP & FILTER (W/O TURBO)						
1-I07	1400 A	OIL PUMP & FILTER (TURBO)						
1-M07	1500	COOLING SYSTEM						
1-F08	1580	BRACKET, PULLEY & BELT						
1-C09	1600	CLUTCH DISC & COVER (MANUAL)						
1-F09	1700	TRANSMISSION CASE (MANUAL)						
1-J09	1710	TRANSMISSION GEARS (MANUAL)						
1-H10	1720	CHANGE CONTROL SYSTEM (MANUAL)						
1-M10	1800	ENGINE ELECTRICAL SYSTEM						
1-E11	1830	ALTERNATOR						





PART NO.	QTY	MODEL/RESTRICTION	MODEL/RESTRICTION	MODEL/RESTRICTION	FROM TO
19-031		LEVER, SELECT			
BV09-19-031	1				
19-431		SHAFT, MANUAL			
BV17-19-431	1				
19-432		RING, 'O'			
0338-19-432	1				
19-433		WASHER			
0338-19-433A	1				
19-440		PLATE, MANUAL			
BU17-19-440	1				
19-443		NUT, SHAFT			
BV45-19-443	1				
19-449		RING, SNAP			
0338-19-449	1				
19-450		ROD, PARKING			
BU17-19-450	1				
19-701		SUPPORTER, ACTUATOR			
BU17-19-701	1				
19-702		PLATE, RETAINING			
0338-19-702A	1				
19-703		SPRING, BALL PARK			
BU17-19-703	2				
19-704		RETAINER			
BU17-19-704	1				
19-706		BOLT			
0338-19-706	2				
19-731		SHAFT, PARKING PAWL			
0338-19-731	1				

1950 MANUAL LINKAGE SYSTEM (AUTOMATIC)



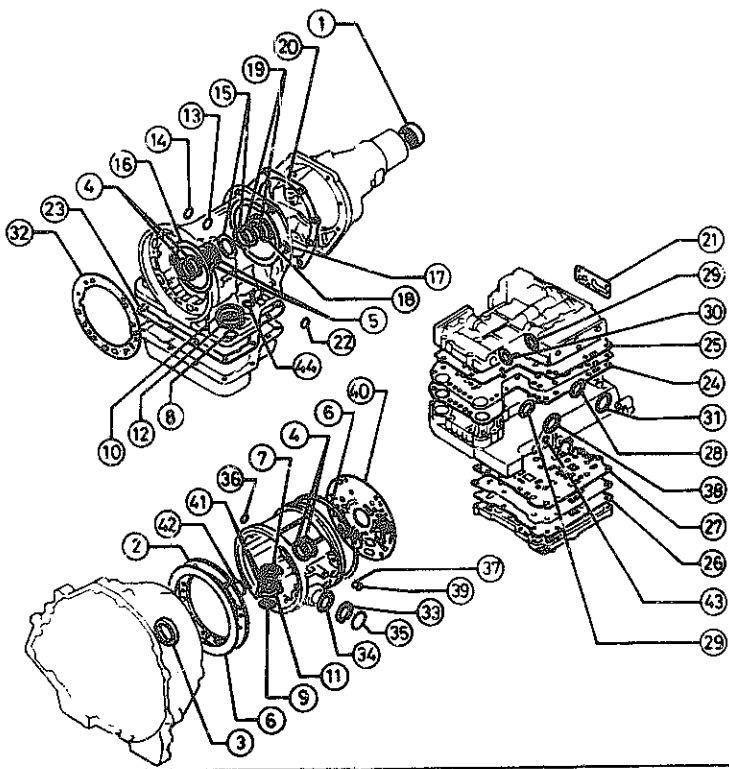
PART NO.	QTY	MODEL/RESTRICTION	MODEL/RESTRICTION	MODEL/RESTRICTION	FORM-70
19-732		PAWL, PARKING			
BU26-19-732	1				
19-733		SPRING, PAWL RETURN			
0338-19-733C	1				
19-734		SPACER, DOWEL			
0333-19-734A	1				



1960 GASKET & SEAL KIT (AUTOMATIC)

22-900

- |                             |                                |
|-----------------------------|--------------------------------|
| 1-SEAL,OIL.....(1)          | 23-GASKET,OIL PAN.....(1)      |
| 2-GASKET,OIL PUMP.....(1)   | 24-GASKET.....(1)              |
| 3-SEAL,OIL.....(1)          | 25-GASKET.....(1)              |
| 4-RING,SEAL.....(4)         | 26-GASKET.....(1)              |
| 5-RING,SEAL.....(2)         | 27-GASKET.....(1)              |
| 6-SEAL,CUT RING.....(2)     | 28-RING,SEAL.....(1)           |
| 7-SEAL,PISTON.....(1)       | 29-RING,SEAL.....(2)           |
| 8-SEAL,PISTON.....(2)       | 30-RING,SEAL.....(1)           |
| 9-SEAL,PISTON.....(1)       | 31-RING,SEAL.....(1)           |
| 10-RING,"O".....(1)         | 32-GASKET,DRUM SUPPORT.....(1) |
| 11-GASKET,SERVO.....(1)     | 33-SEAL,"O" RING.....(1)       |
| 12-SEAL,"O" RING.....(1)    | 34-SEAL,"O" RING.....(1)       |
| 13-SEAL,"O" RING.....(1)    | 35-RING,"O".....(1)            |
| 14-SEAL,"O" RING.....(1)    | 36-RING,"O".....(1)            |
| 15-SEAL,"O" RING.....(3)    | 37-RING,"O".....(1)            |
| 16-RING,"O".....(1)         | 38-RING,SEAL.....(1)           |
| 17-SEAL,PISTON.....(1)      | 39-RING,"O".....(1)            |
| 18-SEAL,"O" RING.....(1)    | 40-GASKET,DRIVE CASE.....(1)   |
| 19-RING,SEAL.....(2)        | 41-RING,"O".....(1)            |
| 20-GASKET,EXTENTION.....(1) | 42-SEAL,"O" RING.....(1)       |
| 21-PLATE,SIDE "A".....(1)   | 43-RING,"O".....(4)            |
| 22-SEAL,"O" RING.....(2)    | 44-RING,"O".....(2)            |



PART NO.	QTY	MODEL/RESTRICTION	MODEL/RESTRICTION	MODEL/RESTRICTION	FROM-TO
22-900					
8AF3-22-900	1	GASKET & SEAL KIT			